

NOTES:

- MATERIALS: HOUSING - LIQUID CRYSTAL POLYMER (LCP)  
GLASS-FILLED, UL94V-0  
TERMINALS - HIGH PERFORMANCE COPPER ALLOY
- FINISH: 30μ MIN GOLD IN CONTACT AREA,  
SELECTIVE TIN ON PCB TAILS,  
NICKEL OVERALL.
- REFER TO MOLEX PRODUCT SPECIFICATION PS-76060-999  
FOR PERFORMANCE SPECIFICATIONS AND ADDITIONAL PCB INFORMATION.
- THIS PART CONFORMS TO CLASS B REQUIREMENTS OF  
MOLEX COSMETIC SPEC PS-45499-002.
- PACKAGE PER: PK-70873-759.
- SEE SHEETS 2 & 3 FOR PART NUMBERS AND BOARD RELATIONSHIPS.
- FOR GROUNDED GUIDE PINS USE DIA. 3.56 +/-0.08 (PTH)  
DIA. 3.66 (DRILL) AND DIA 6.5 (PAD).
- MATES WITH IMPACT DC SERIES NO. 76060.
- KEEP OUT ZONE FOR BP HOUSING LENGTH INCLUDES AN ADDITIONAL 1.0MM  
TO ACCOMMODATE FOR SPACE REQUIRED BY DC FRONT HOUSING.
- REFER TO MOLEX PCB ROUTING GUIDE AS-76060-990 FOR ANTI PAD AND ROUTING RECOMMENDATIONS.
- CONNECTORS SUPPLIED WITH A 2-56 UNC-2A SCREW.
- THESE DIMENSIONS REPRESENT THE AREA NEEDED TO ACCOMMODATE CONNECTOR INSERTION  
AND REPAIR ON THE PC BOARD, THIS IS REFERRED TO AS THE 'CONNECTOR KEEP OUT ZONE'  
AND DOES NOT REPRESENT THE ACTUAL PERIMETER OF THE CONNECTOR. WHEN LAYING OUT  
A PC BOARD FOR CONNECTORS STACK TOGETHER, USE A 1.9mm PROGRESSION.

CONVERT TO LEAD-FREE IEC NO: UCP2013-2078 DRAWN BY: BARRA 2012/11/26 CHECKED BY: BINGHAM 2012/12/18 APPROVED BY: MILLER 2012/12/31	QUALITY SYMBOLS ∇=0 ∇=0 ∇=0	GENERAL TOLERANCES (UNLESS SPECIFIED)		DIMENSION STYLE <b>MM ONLY</b>		SCALE <b>4:1</b>	DESIGN UNITS <b>METRIC</b>	THIRD ANGLE PROJECTION	
		4 PLACES ±--- ±--- 3 PLACES ±--- ±--- 2 PLACES ±0.13 ±--- 1 PLACE ±0.25 ±--- 0 PLACE ± ±	mm INCH	DRAWN BY MSANDBERG	DATE 05/24/2007	CHECKED BY JL AURX	DATE 05/24/2007	TITLE <b>IMPACT 5 PAIR HEADER          LEFT GUIDED ASSEMBLY          SALES DRAWING</b>	
ANGULAR ±1/2° DRAFT WHERE APPLICABLE MUST REMAIN WITHIN DIMENSIONS		MATERIAL NO. <b>SEE TABLE</b>		APPROVED BY JL AURX		DATE 2010/10/15		DOCUMENT NO. <b>SD-76055-002</b>	SHEET NO. <b>1 OF 3</b>
THIS DRAWING CONTAINS INFORMATION THAT IS PROPRIETARY TO MOLEX INCORPORATED AND SHOULD NOT BE USED WITHOUT WRITTEN PERMISSION									

# PART NUMBER LOGIC

76055-\*\*\*\*

MODULE TYPE

- 3 = GUIDE LEFT, TIN
- 7 = GUIDE LEFT END WALL, TIN

PIN LENGTH (P)

- 3 = 4.50 (SHORT COMPLIANT, 0.46±0.05 PTH)
- 4 = 4.90 (SHORT COMPLIANT, 0.46±0.05 PTH)
- 5 = 5.50 (SHORT COMPLIANT, 0.46±0.05 PTH)
- 6 = 4.50 (MICRO COMPLIANT, 0.39±0.05 PTH)
- 7 = 4.90 (MICRO COMPLIANT, 0.39±0.05 PTH)
- 8 = 5.50 (MICRO COMPLIANT, 0.39±0.05 PTH)

# OF COLUMNS

- 1 = 10 COL
- 2 = 12 COL
- 6 = 16 COL
- 7 = 14 COL

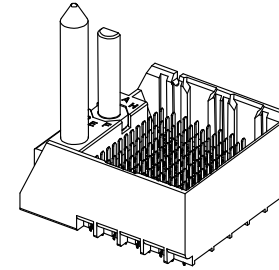
KEY ORIENTATION

- 0 = NO KEY
- 1 = A
- 2 = B
- 3 = C
- 4 = D
- 5 = E
- 6 = F
- 7 = G
- 8 = H

# PART NUMBER TABLE

MATERIAL NUMBER	# OF COLUMNS	# OF DIFF PAIR	DIM "A"	DIM "B"
76055-1**	10	50	26.9	17.10
76055-2**	12	60	30.7	20.90
76055-7**	14	70	34.5	24.70
76055-6**	16	80	38.3	28.50

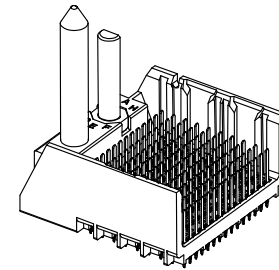
GUIDE LEFT  
END WALL  
OPTION



GUIDE LEFT  
END WALL  
OPTION

MATERIAL NUMBER	# OF COLUMNS	# OF DIFF PAIR	DIM "A"	DIM "B"
76055-1**	10	50	25.5	17.10
76055-2**	12	60	29.3	20.90
76055-7**	14	70	33.1	24.70
76055-6**	16	80	36.9	28.50

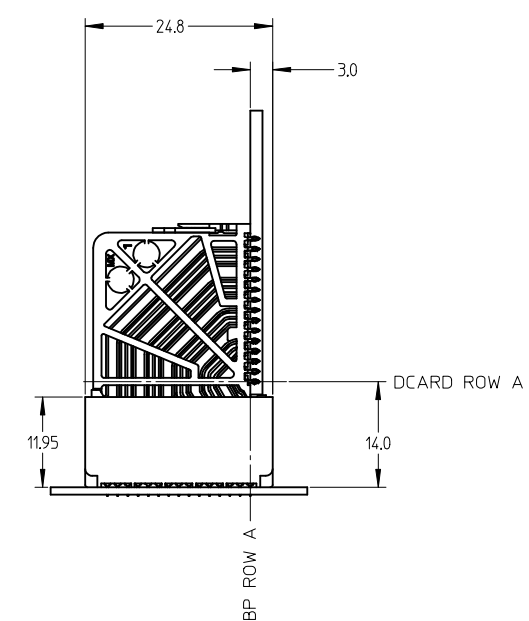
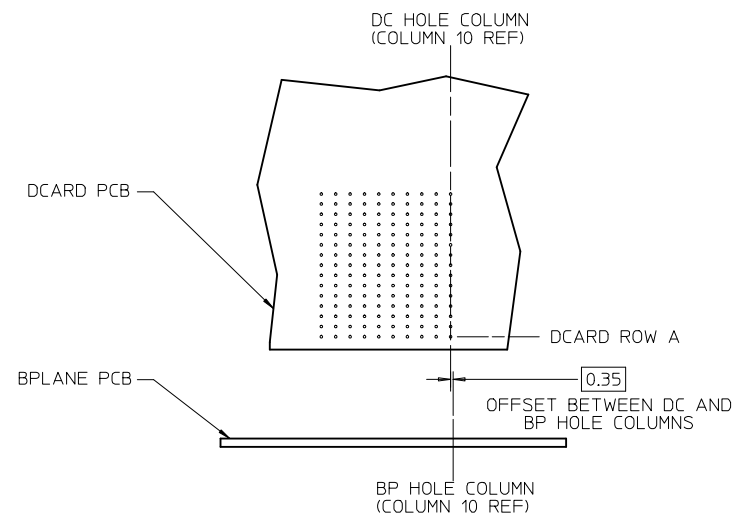
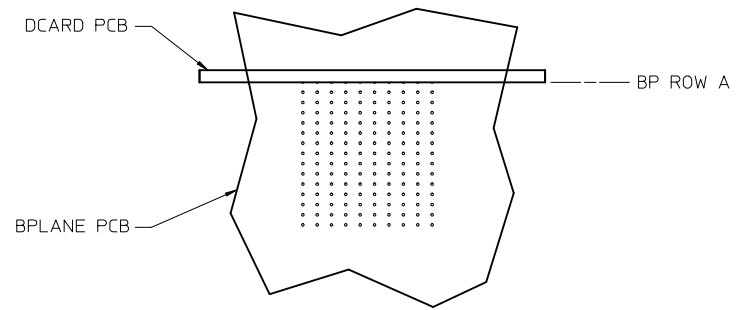
GUIDE LEFT  
OPEN WALL  
OPTION



GUIDE LEFT  
OPEN WALL  
OPTION

SEE SHEET 1 EC NO: UCP2013-2078 DRWN: TIBARRA 2012/11/26 CHKD: BINGHAM 2012/12/18 APPR: MILLER 2012/12/31	QUALITY SYMBOLS	GENERAL TOLERANCES (UNLESS SPECIFIED)		DIMENSION STYLE MM ONLY		SCALE 2:1	DESIGN UNITS METRIC	THIRD ANGLE PROJECTION	
	▽=0	mm	INCH	DRAWN BY MSANDBERG	DATE 05/24/2007	TITLE <b>IMPACT 5 PAIR HEADER LEFT GUIDED ASSEMBLY SALES DRAWING</b>	<b>molex</b>	DOCUMENT NO. SD-76055-002	
	▽=0	4 PLACES ± ---	± ---	CHECKED BY JLAURX	DATE 05/24/2007				
	▽=0	3 PLACES ± ---	± ---	APPROVED BY JLAURX	DATE 2010/10/15				
		2 PLACES ± 0.13	± ---	MATERIAL NO. <b>SEE TABLE</b>					
	1 PLACE ± 0.25	± ---	DRAFT WHERE APPLICABLE MUST REMAIN WITHIN DIMENSIONS						
	0 PLACE ±	±	SIZE C		THIS DRAWING CONTAINS INFORMATION THAT IS PROPRIETARY TO MOLEX INCORPORATED AND SHOULD NOT BE USED WITHOUT WRITTEN PERMISSION		SHEET NO. 2 OF 3		

IMPACT 5 PAIR  
BOARD RELATIONSHIPS



SEE SHEET 1 EC NO: UCP2013-2078 DRWN: TIBARRA 2012/11/26 CHKD: J BINGHAM 2012/12/18 APPR: SMILLER 2012/12/31	QUALITY SYMBOLS ∇=0 ∇=0 ∇=0	GENERAL TOLERANCES (UNLESS SPECIFIED)		DIMENSION STYLE <b>MM ONLY</b>		SCALE 2:1	DESIGN UNITS METRIC	THIRD ANGLE PROJECTION			
		4 PLACES ± ---	± ---	DRAWN BY MSANDBERG	DATE 05/24/2007	TITLE IMPACT 5 PAIR HEADER LEFT GUIDED ASSEMBLY SALES DRAWING <b>molex</b> DOCUMENT NO. SD-76055-002 SHEET NO. 3 OF 3					
		3 PLACES ± ---	± ---	CHECKED BY JLAURX							DATE 05/24/2007
		2 PLACES ± 0.13	± ---	APPROVED BY JLAURX							DATE 2010/10/15
1 PLACE ± 0.25	± ---	MATERIAL NO. SEE TABLE		DOCUMENT NO. SD-76055-002							
0 PLACE ±	±	ANGULAR ±1/2°		DRAFT WHERE APPLICABLE MUST REMAIN WITHIN DIMENSIONS		THIS DRAWING CONTAINS INFORMATION THAT IS PROPRIETARY TO MOLEX INCORPORATED AND SHOULD NOT BE USED WITHOUT WRITTEN PERMISSION					