

4

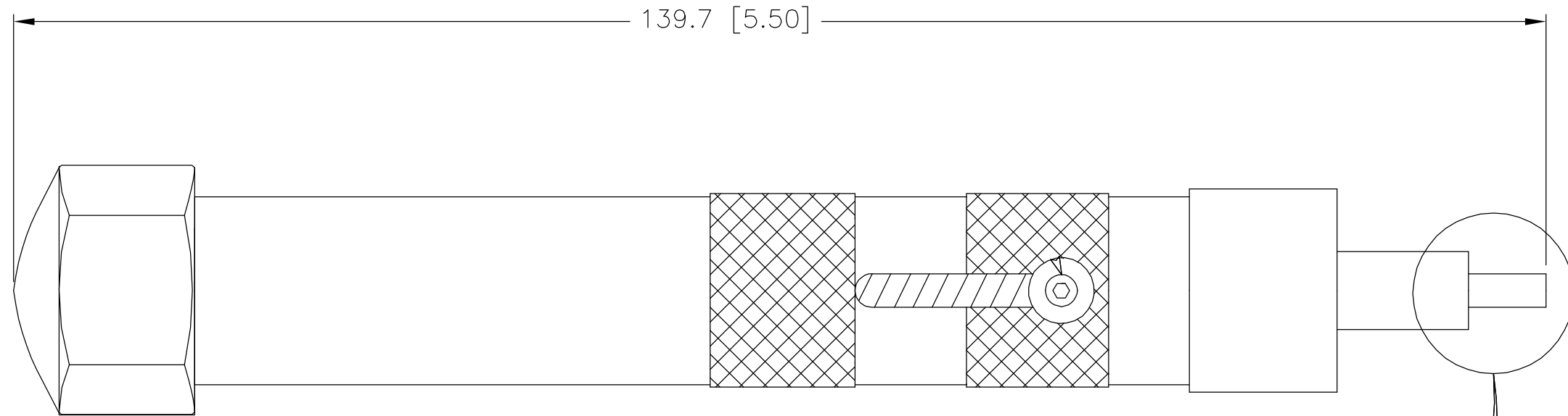
3

2

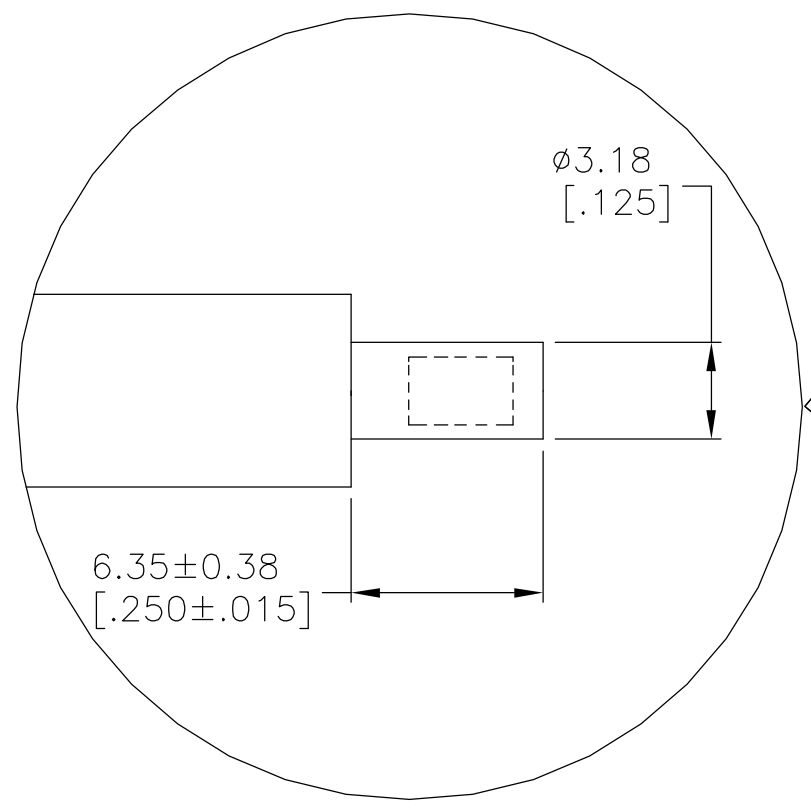
1

THIS DRAWING IS UNPUBLISHED. RELEASED FOR PUBLICATION
 © COPYRIGHT BY TYCO ELECTRONICS CORPORATION. ALL RIGHTS RESERVED.

LOC	DIST	REVISIONS					
CM	00	P	LTR	DESCRIPTION	DATE	DWN	APVD
		0		REVISED PER 0G3B-0079-05	03MAR06	KW	SR



139.7 [5.50]



∅3.18
[.125]

6.35 ± 0.38
[.250 ± 0.015]

1586700-1

PART NO

SCALE 4:1

METRIC

THIS DRAWING IS A CONTROLLED DOCUMENT.		DWN K. WHITAKER 03MAR2006	tyco Tyco Electronics Corporation	
DIMENSIONS: mm [INCHES]		CHK S. RIDGILL 03MAR2003	Electronics Harrisburg, PA 17105-3608	
TOLERANCES UNLESS OTHERWISE SPECIFIED:		APVD S. RIDGILL 03MAR2003	NAME CONTACT RETENTION TOOL	
<ul style="list-style-type: none"> 0 PLC ± - 1 PLC ± - 2 PLC ± - 3 PLC ± .005 4 PLC ± - ANGLES ± 0°30' 		PRODUCT SPEC -	-	
MATERIAL -		FINISH -	APPLICATION SPEC -	RESTRICTED TO -
		WEIGHT -	SIZE A3	CAGE CODE 00779
		DRAWING NO C-1586700		REV 0
CUSTOMER DRAWING			SCALE 2:1	SHEET 1 OF 1