

PRODUCT NUMBER	PITCH
VWxx10x000J0G	3.50 mm

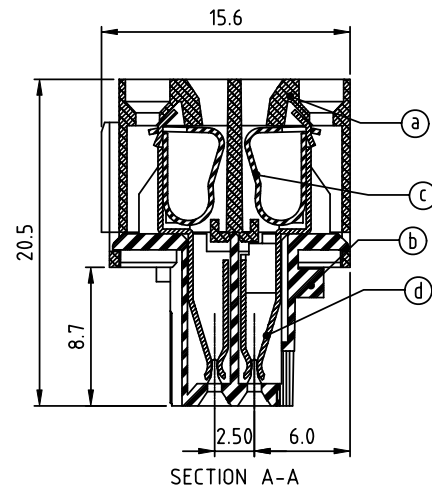
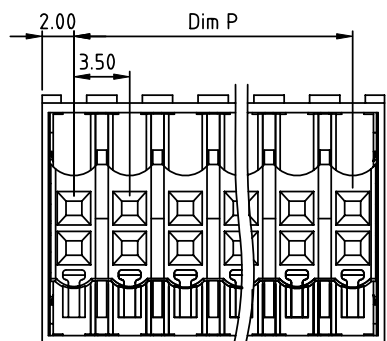
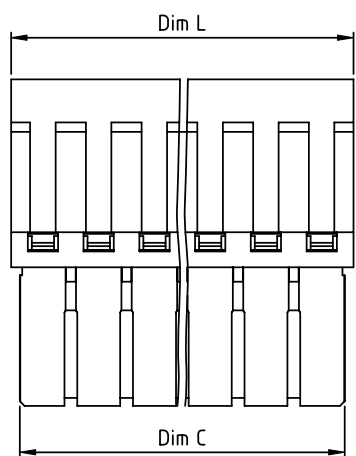
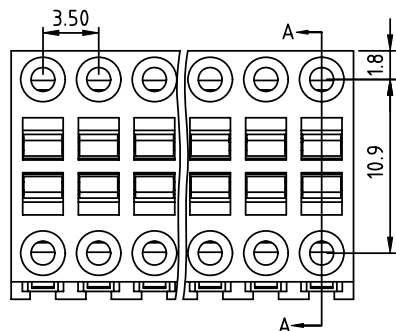
N=Number of poles

Dim L=(N/2-1)×3.5+4.0
Dim P=(N/2-1)×3.5
Dim C=N/2×3.5-0.6

POLES	Dim L	Dim P	Dim C
2x2p-2x6p	±0.15	±0.10	⁰ _{-0.15}
2x7p-2x12p	±0.25	±0.20	⁰ _{-0.20}
2x13p-2x18p	±0.30	±0.25	⁰ _{-0.25}
2x19p-2x24p	±0.40	±0.35	⁰ _{-0.30}

PART NO.: VW xx 1 0 x 0 00J0 G

solid block	0	Black (RAL9005)	RoHS compliant (lead<4%) In copper Alloy
No. of poles	2	Red (RAL3001/D)	
04	2x2 poles	3	Orange(RAL2011/P)
06	2x3 poles	4	Yellow(RAL1018/A)
...	...	5	Green(RAL6018/T)
48	2x24 poles	6	Blue (RAL5015/A)
		8	Grey(RAL7035/D)
		9	White(RAL1102)
		C	Green(RAL6018/U)



Material:

- Item①Top body:Thermoplastic (UL94V-0)
- Item②Bottom body:Thermoplastic (UL94V-0)
- Item③Spring clamp:Stainless steel
- Item④Female contact:PhBz,Tin plated

Electrical

- Voltage rating: 150V
- Current rating: 7A
- Solid wire(AWG): 18-28
- Stranded wire(AWG): 18-28
- Wire strip length: 7-8mm
- Withstanding Voltage: 1.6KV
- Operating temperature: -40°C to +115°C
- Safety Approval: us

mat'l. code		surface ASME Y14.5	tolerance ASME Y14.5	projection 	product family TERMINAL BLOCK
ltr	ecn no	dr	date	MM	title TERMINAL BLOCK SPRING CLAMP,PLUGGABLE PLUG
		angles	X.±0.5	scale	dwg no VWxx10x000J0G
		X*±1°	X.X±0.3		
			X.XX±0.1		sheet 1 of 1
		dr	EVIN ZHONG 052014		size A4
		enr	EVIN ZHONG 052014	type CUSTOMER Drawing	
		chr	HANKE FENG 052014		
		appd	SHI JUN 052014		
sheet index	revision sheet	A	1		