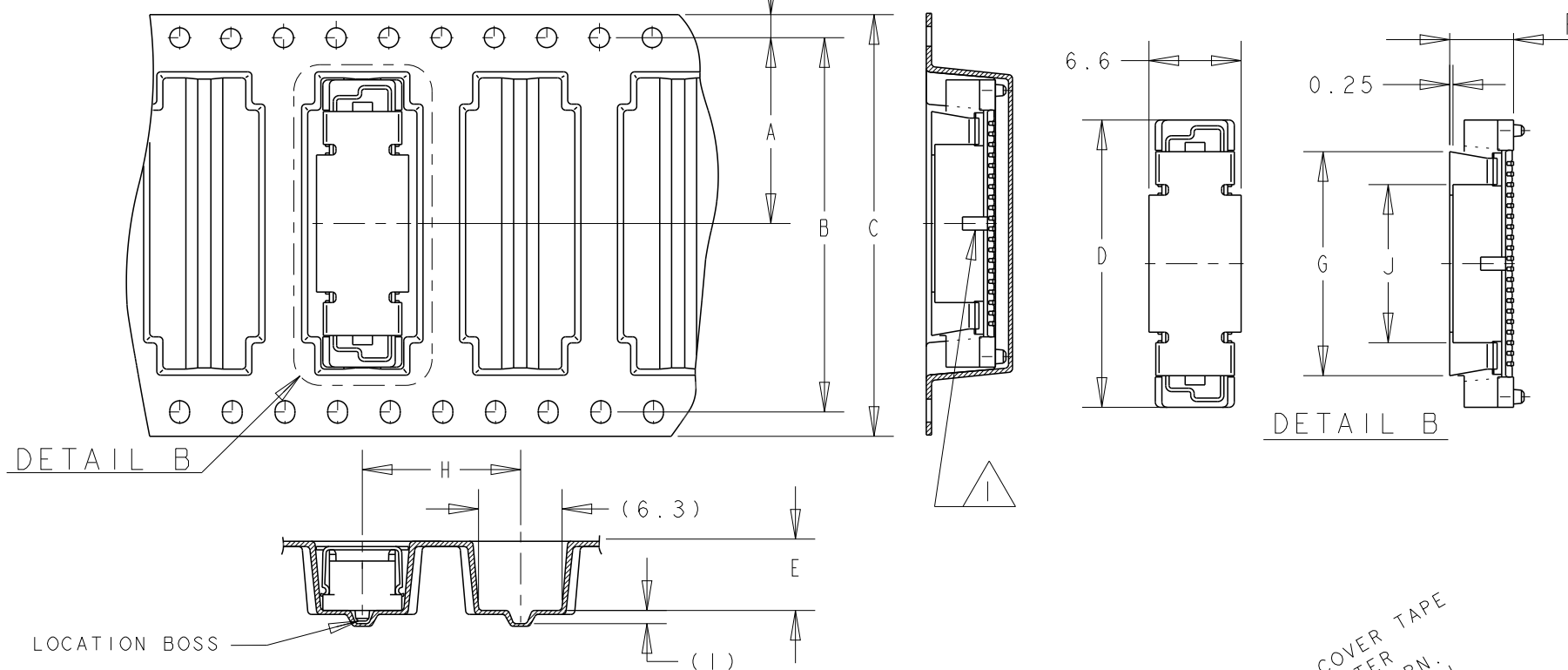


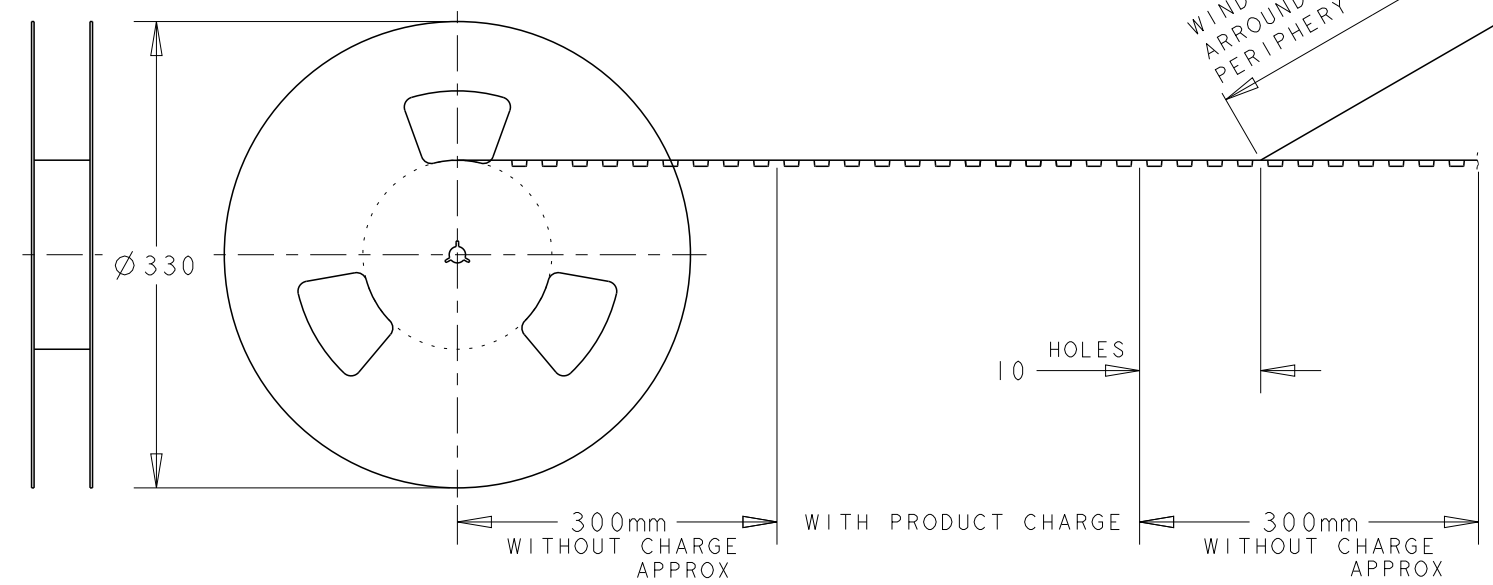
Notes:

- 1 CUTOUT FEATURE AVAILABLE ONLY ON 5H ASSY P/N -1 (40P) AND -2 (60P).
- 2 0.00038 MIN GOLD PLATING (15u INCHES GOLD PLATING)

DIRECTION OFF TOP OF REEL →



QTY	HEIGHT TYPE	J	H	G	F	E	D	C	B	A	POS	CONN	P/N	PART NO.		
0.00076 MIN GOLD PLATING (30u INCHES GOLD PLATING)	450	16	↑	↑	↑	↑	61.8	88	84.4	42.2	140	1-	-6	7-	-6	
							53.8	↑	↑	↑	120	1-	-5	7-	-5	
							45.8	72	68.4	34.2	100	1-	-4	7-	-4	
	700	7H	12	↑	↑	6.85	7.25	21.8	32	28.4	14.2	40	1-5179030-1	7-5177986-1		
								69.8	↑	↑	↑	160	↑	-8	6-	-8
								61.8	88	84.4	42.2	140	↑	-6	6-	-6
	550	16	↑	↑	↑	↑	↑	53.8	↑	↑	↑	120	↑	-5	6-	-5
								45.8	72	68.4	34.2	100	↑	-4	6-	-4
								37.8	56	52.4	26.2	80	↑	-3	6-	-3
	800	6H	12	↑	↑	5.85	6.25	21.8	32	28.4	14.2	40	5084615-1	6-5177986-1		
								85.8	104	100.4	50.2	200	1-	-0	5-	-0
								69.8	↑	↑	↑	160	↑	-8	5-	-8
650	16	↑	↑	↑	↑	↑	61.8	88	84.4	42.2	140	↑	-6	5-	-6	
							53.8	↑	↑	↑	120	↑	-5	5-	-5	
							45.8	72	68.4	34.2	100	↑	-4	5-	-4	
900	5H	12	12	17	4.85	5.25	21.8	32	28.4	14.2	40	5084614-1	5-5177986-1			
							85.8	↑	↑	↑	200	↑	-0	4-	-0	
							77.8	104	100.4	50.2	180	↑	-9	3-	-9	
0.0002 MIN GOLD PLATING (7.8u INCHES GOLD PLATING)	400	16	↑	↑	↑	↑	69.8	↑	↑	↑	160	↑	-8	3-	-8	
							61.8	88	84.4	42.2	140	↑	-6	3-	-6	
							53.8	↑	↑	↑	120	↑	-5	3-	-5	
	600	8H	12	↑	↑	7.85	8.25	21.8	32	28.4	14.2	40	5179031-1	3-5177986-1		
								85.8	↑	↑	↑	200	1-	-0	3-	-0
								77.8	104	100.4	50.2	180	↑	-9	2-	-9
	450	16	↑	↑	↑	↑	↑	69.8	↑	↑	↑	160	↑	-8	2-	-8
								61.8	88	84.4	42.2	140	↑	-6	2-	-6
								53.8	↑	↑	↑	120	↑	-5	2-	-5
	700	7H	12	↑	↑	6.85	7.25	21.8	32	28.4	14.2	40	5179030-1	2-5177986-1		
								61.8	88	84.4	42.2	140	↑	-6	1-	-6
								53.8	↑	↑	↑	120	↑	-5	1-	-5
550	16	↑	↑	↑	↑	↑	45.8	72	68.4	34.2	100	↑	-4	1-	-4	
							37.8	56	52.4	26.2	80	↑	-3	1-	-3	
							29.8	44	40.4	20.2	60	↑	-2	1-	-2	
800	6H	12	↑	↑	5.85	6.25	21.8	32	28.4	14.2	40	5179029-1	1-5177986-1			
							69.8	↑	↑	↑	160	↑	-8	↑	-8	
							61.8	88	84.4	42.2	140	↑	-6	↑	-6	
650	16	↑	↑	↑	↑	↑	53.8	↑	↑	↑	120	↑	-5	↑	-5	
							45.8	72	68.4	34.2	100	↑	-4	↑	-4	
							37.8	56	52.4	26.2	80	↑	-3	↑	-3	
900	5H	12	12	17	4.85	5.25	21.8	32	28.4	14.2	40	5177984-1	5177986-1			
							85.8	↑	↑	↑	200	↑	-0	↑	-0	
							77.8	104	100.4	50.2	180	↑	-9	↑	-9	



WINDING THE COVER TAPE AROUND THE OUTER PERIPHERY IN A TURN.

REMARKS	QTY	HEIGHT TYPE	J	H	G	F	E	D	C	B	A	POS	CONN	P/N	PART NO.

THIS DRAWING IS A CONTROLLED DOCUMENT.

DWN FLORENCE TAN 30AUG04

CHK ERIC TNG 30MAY2012

APVD SF LEONG 30MAY2012

PRODUCT SPEC 108-5390

APPLICATION SPEC 114-5254

WEIGHT -

CUSTOMER DRAWING

SCALE 2:1

SHEET 1 OF 1

REV E2

TE Connectivity

PLUG ASSEMBLY (0.5 BOSS LENGTH) FOR FH 0.8 B-T-B CONN. ON TAPING

SIZE A3 CAGE CODE 00779 DRAWING NO C-5177986 RESTRICTED TO -