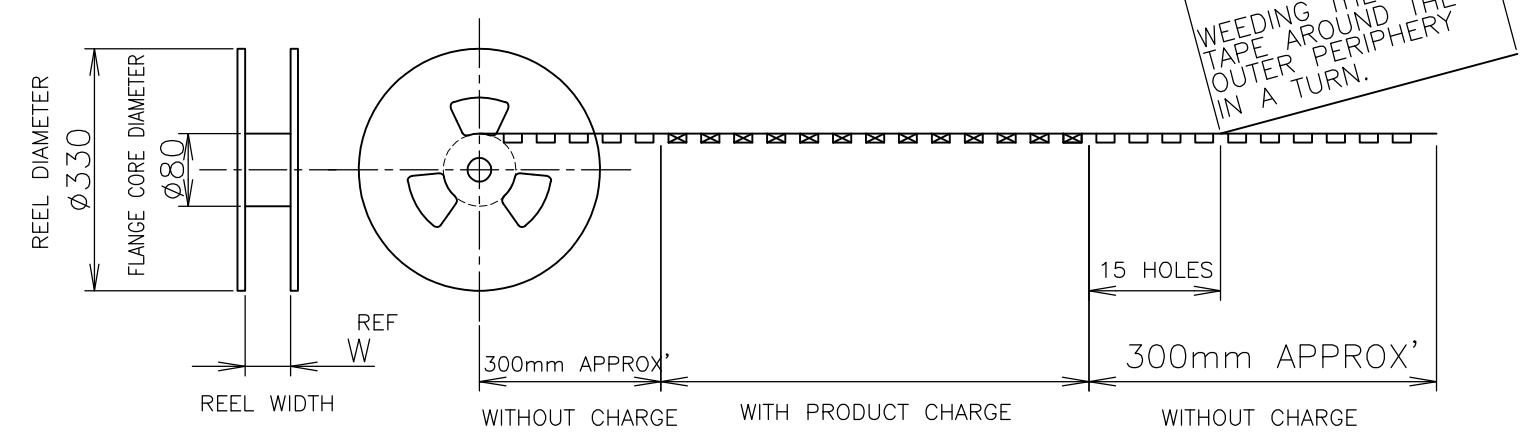
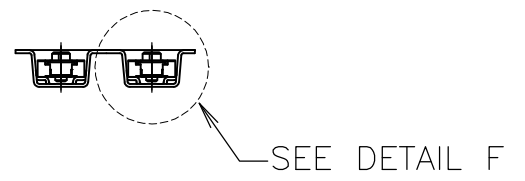
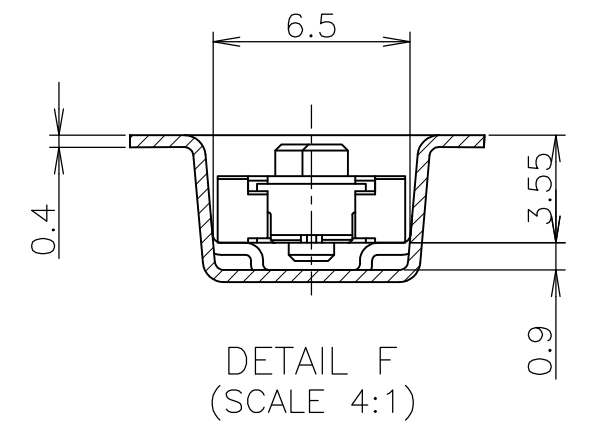
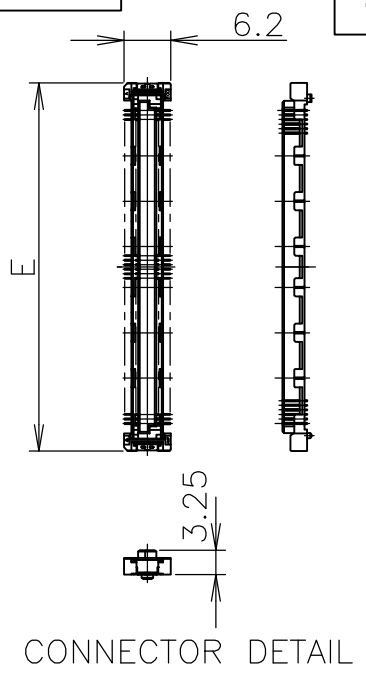
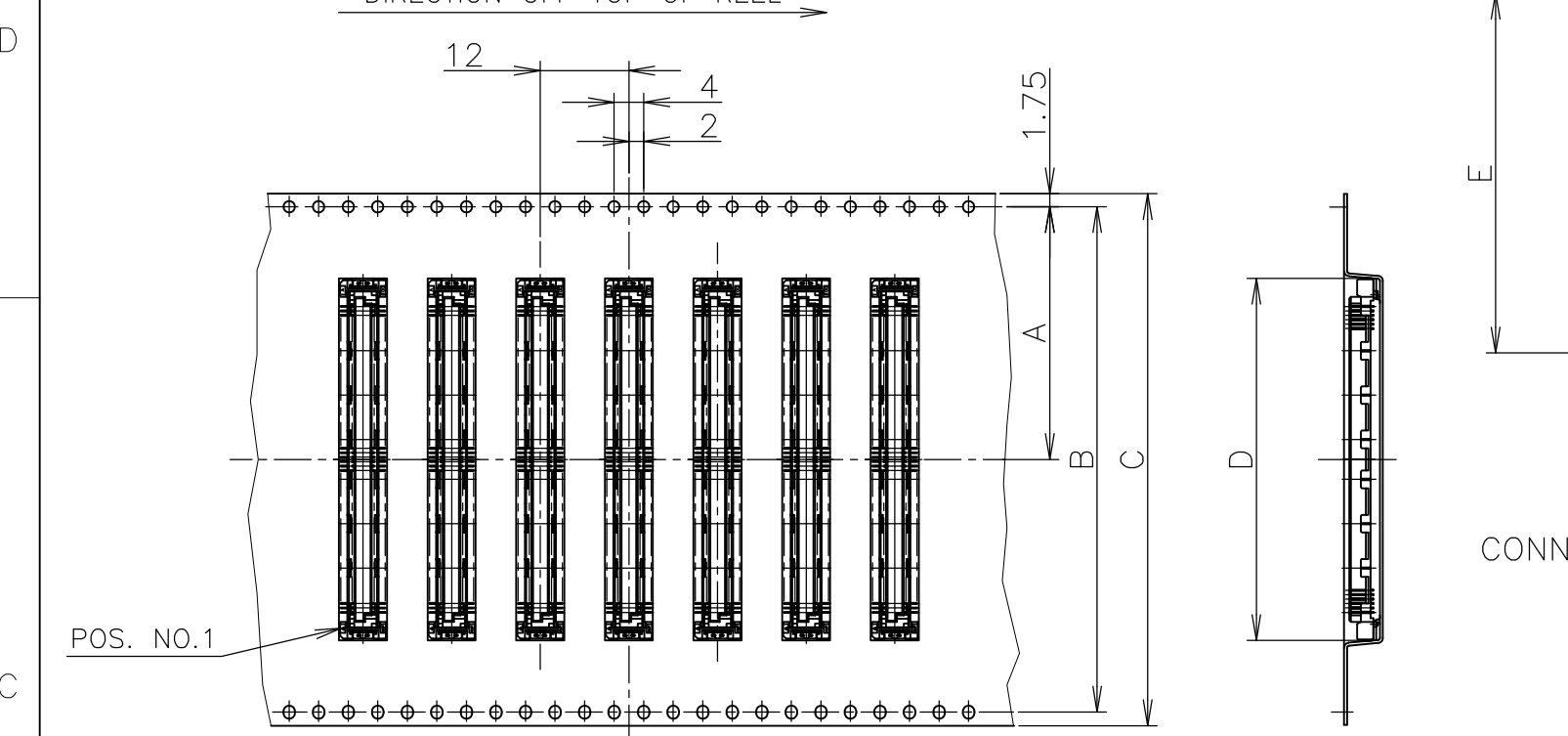


THIS DRAWING IS UNPUBLISHED. RELEASED FOR PUBLICATION DEC , 1996.
 © COPYRIGHT 1996 BY TYCO ELECTRONICS CORPORATION. ALL RIGHTS RESERVED.

LOC		DIST		REVISIONS					
J				P	LTR	DESCRIPTION	DATE	DWN	APVD
				D		REVISED ECR-08-000340	01FEB08	T.T	T.F



WEEDING THE COVER TAPE AROUND THE OUTER PERIPHERY IN A TURN.

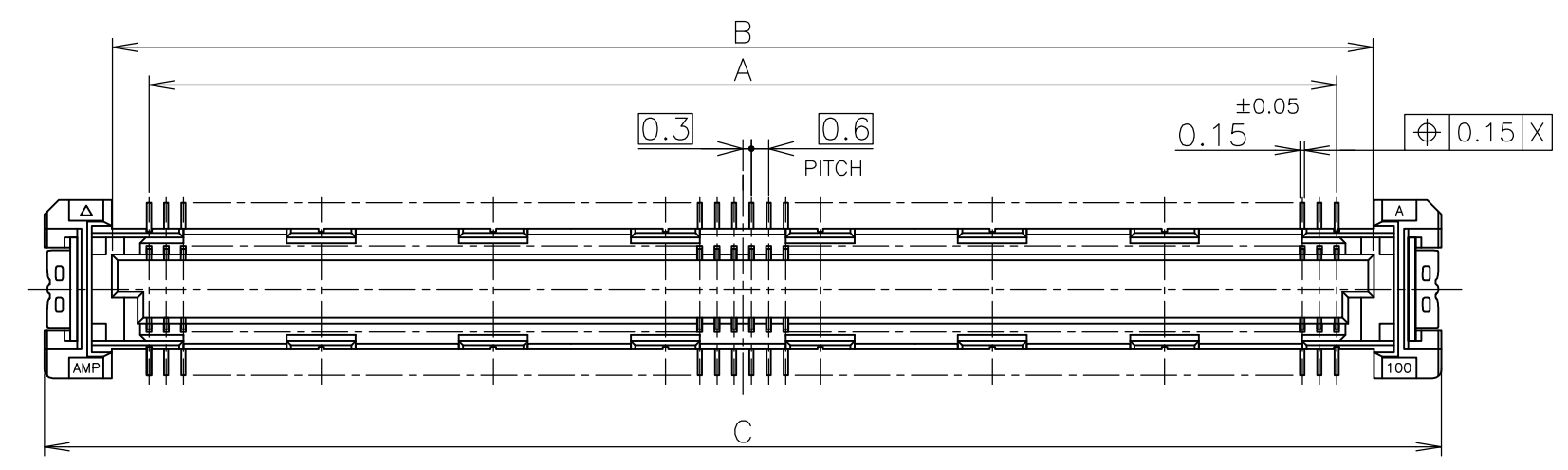
BLACK	SEALANT	AVAILABLE	1000	77.5	48.7	49	72	68.4	34.2	140	8-5353189-0
		NOT AVAILABLE	↑	77.5	54.7	55	72	68.4	34.2	160	6-5353189-1
		↑		77.5	48.7	49	72	68.4	34.2	140	6-↑-0
				61.5	42.7	43	56	52.4	26.2	120	5-↑-9
				61.5	36.7	37	56	52.4	26.2	100	5-↑-8
		NOT AVAILABLE		61.5	33.7	34	56	52.4	26.2	90	5-↑-7
		AVAILABLE		49.5	30.7	31	44	40.4	20.2	80	5-↑-6
		NOT AVAILABLE		49.5	27.7	28	44	40.4	20.2	70	5-↑-5
		NOT AVAILABLE		49.5	24.7	25	44	40.4	20.2	60	5-↑-4
		AVAILABLE		37.5	21.7	22	32	28.4	14.2	50	5-↑-3
		NOT AVAILABLE		37.5	18.7	19	32	28.4	14.2	40	5-↑-2
		AVAILABLE	1000	29.5	15.7	16	24	—	11.5	30	5-5353189-1
NATURAL	NON SEALANT	AVAILABLE	1000 <th>77.5</th> <th>48.7</th> <th>49</th> <th>72</th> <th>68.4</th> <th>34.2</th> <th>140</th> <th>1-5353189-1</th>	77.5	48.7	49	72	68.4	34.2	140	1-5353189-1
		NOT AVAILABLE	↑	77.5	54.7	55	72	68.4	34.2	160	1-↑-0
		↑		77.5	48.7	49	72	68.4	34.2	140	1-↑-9
				61.5	42.7	43	56	52.4	26.2	120	↑-9
		NOT AVAILABLE		61.5	36.7	37	56	52.4	26.2	100	↑-8
		AVAILABLE		61.5	33.7	34	56	52.4	26.2	90	↑-7
		NOT AVAILABLE		49.5	30.7	31	44	40.4	20.2	80	↑-6
		↑		49.5	27.7	28	44	40.4	20.2	70	↑-5
				49.5	24.7	25	44	40.4	20.2	60	↑-4
				37.5	21.7	22	32	28.4	14.2	50	↑-3
				37.5	18.7	19	32	28.4	14.2	40	↑-2
		NOT AVAILABLE	1000	29.5	15.7	16	24	—	11.5	30	5353189-1
HOUSING COLOR	SEALANT	TOOLING STATUS	QTY.	W	E	D	C	B	A	POS.	PART NO.

THIS PRODUCT WAS COATED BY FLUX-PENETRATION INHIBITING AGENT.

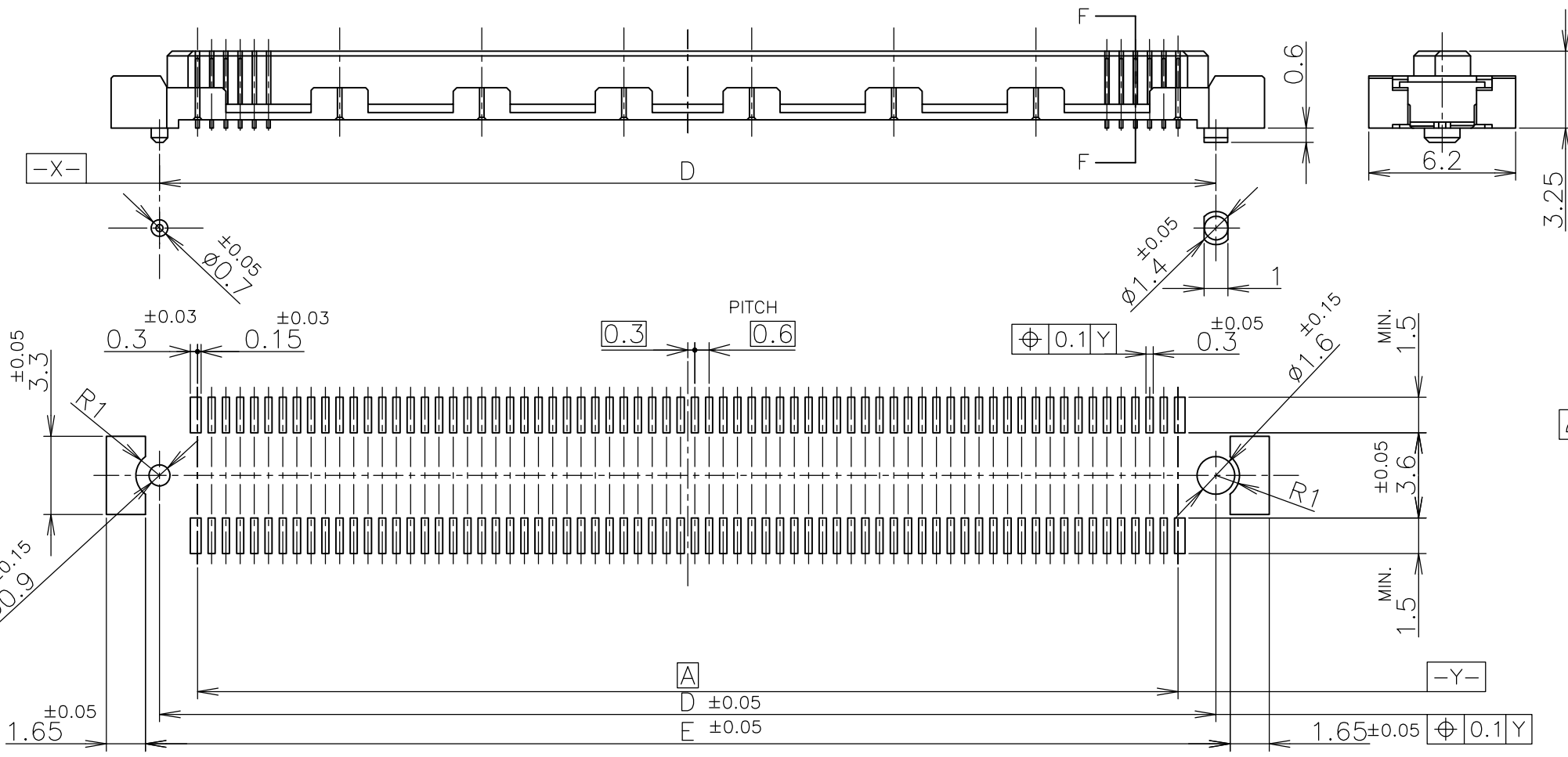
THIS DRAWING IS A CONTROLLED DOCUMENT.

DIMENSIONS: MM	TOLERANCES UNLESS OTHERWISE SPECIFIED:	DWN HAWKING HE 20DEC04	Tyco Electronics Corporation Kawasaki, Japan	
	0 PLC ± 0.2	CHK STEVEN YAO 20DEC04	EMBOSS ASSY	
	1 PLC ± 0.2	APVD I.ENOMOTO 20DEC04	FH 0.6BTB CONNECTOR	
	2 PLC ± 0.2	PRODUCT SPEC	REC 4H STD TYPE	
	3 PLC ± 0.2	108-60047	SIZE	CAGE CODE
	4 PLC ± 0.2	APPLICATION SPEC	114-5255	DRAWING NO
	ANGLES ± 5°	WEIGHT	A3	00779
MATERIAL	FINISH	CUSTOMER DRAWING	C-5353189	
			RESTRICTED TO	
			SCALE 1:1	SHEET 1 OF 2
				REV D

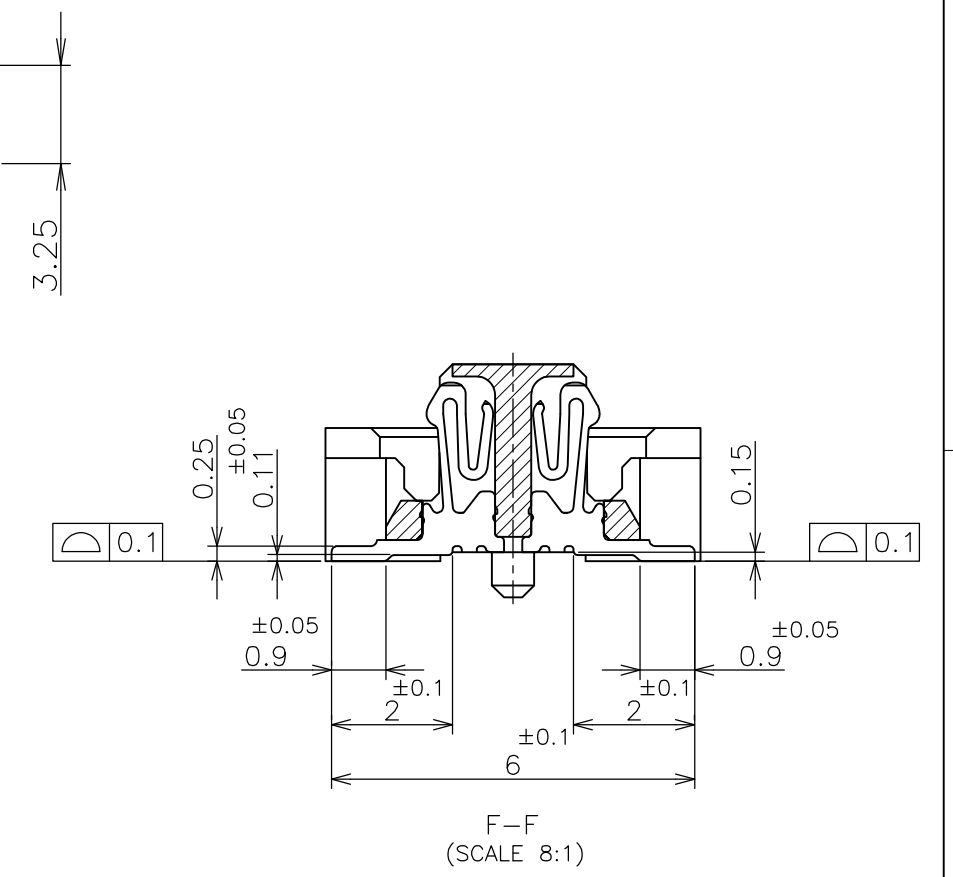
LOC	DIST	REVISIONS					
J		P	LTR	DESCRIPTION	DATE	DWN	APVD
				SEE SHEET 1			



△ MATERIAL : HOUSING : HIGH TEMP THERMO PLASTIC
 UL94V-0
 CONTACT : COPPER ALLOY
 △ FINISH : UNDER PL Ni 0.0013mm MIN ALL OVER.
 CONTACT AREA 0.0002 MIN Au PL.
 SOLDERING AREA 0.00005 MIN Au PL.



REFERENCE P.C. BOARD LAYOUT



AVAILABLE	51.8	50.6	54.7	50	47.4	160
AVAILABLE	45.8	44.6	48.7	44	41.4	140
NOT AVAILABLE	39.8	38.6	42.7	38	35.4	120
NOT AVAILABLE	33.8	32.6	36.7	32	29.4	100
AVAILABLE	30.8	29.6	33.7	29	26.4	90
AVAILABLE	27.8	26.6	30.7	26	23.4	80
AVAILABLE	24.8	23.6	27.7	23	20.4	70
NOT AVAILABLE	21.8	20.6	24.7	20	17.4	60
AVAILABLE	18.8	17.6	21.7	17	14.4	50
NOT AVAILABLE	15.8	14.6	18.7	14	11.4	40
NOT AVAILABLE	12.8	11.6	15.7	11	8.4	30
TOOLING STATUS	E	D	C	B	A	POS

THIS DRAWING IS A CONTROLLED DOCUMENT.		DWN		Tyco Electronics Corporation Kawasaki, Japan	
DIMENSIONS: MM		CHK		NAME	
TOLERANCES UNLESS OTHERWISE SPECIFIED:		APVD		EMBOSS ASSY FH 0.6BTB CONNECTOR REC 4H STD TYPE	
0 PLC ± 0.3 1 PLC ± 0.3 2 PLC ± 0.3 3 PLC ± 0.3 4 PLC ± 0.3 ANGLES ± 3°		PRODUCT SPEC		SIZE	
MATERIAL		APPLICATION SPEC		CAGE CODE	
△		WEIGHT		DRAWING NO	
△		CUSTOMER DRAWING		RESTRICTED TO	
		SCALE 4:1		SHEET 2 OF 2	
		REV D		A3 00779 C-5353189	