

SJ100355  
(DRAWING NO.)

| 版数<br>REV. | 年月日<br>DATE | 図番<br>DON NO. | 変更内容<br>DESCRIPTION | 製図<br>DR. | 担当<br>CHK. | 査閲<br>APPD. | 承認<br>APPD. |
|------------|-------------|---------------|---------------------|-----------|------------|-------------|-------------|
|            |             |               |                     |           |            |             |             |
|            |             |               |                     |           |            |             |             |

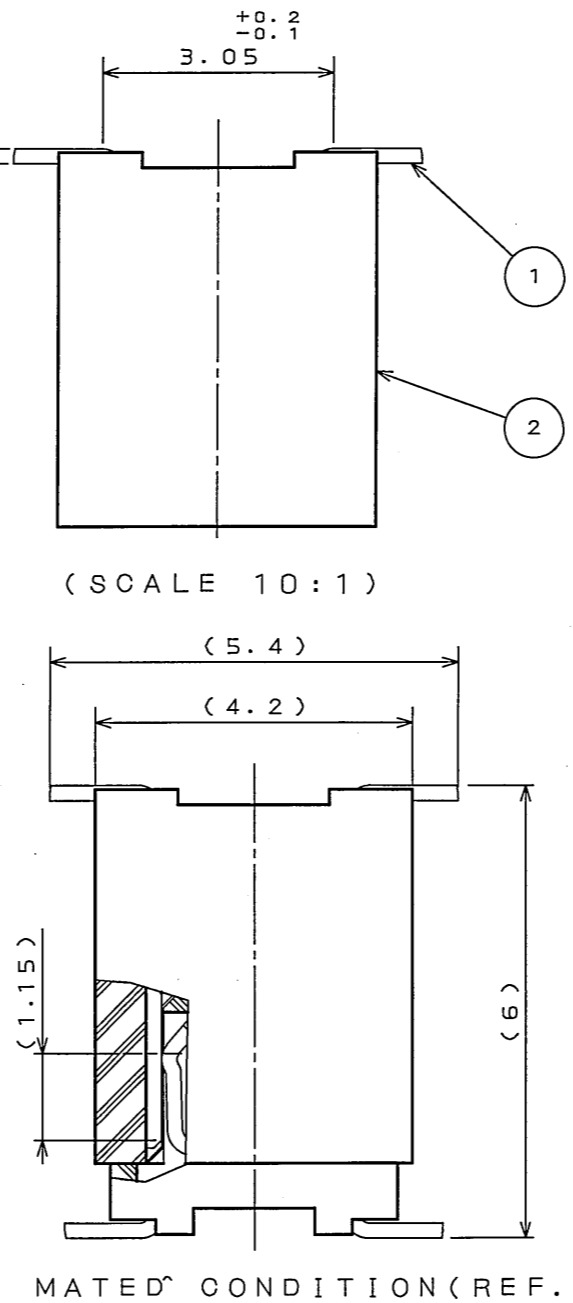
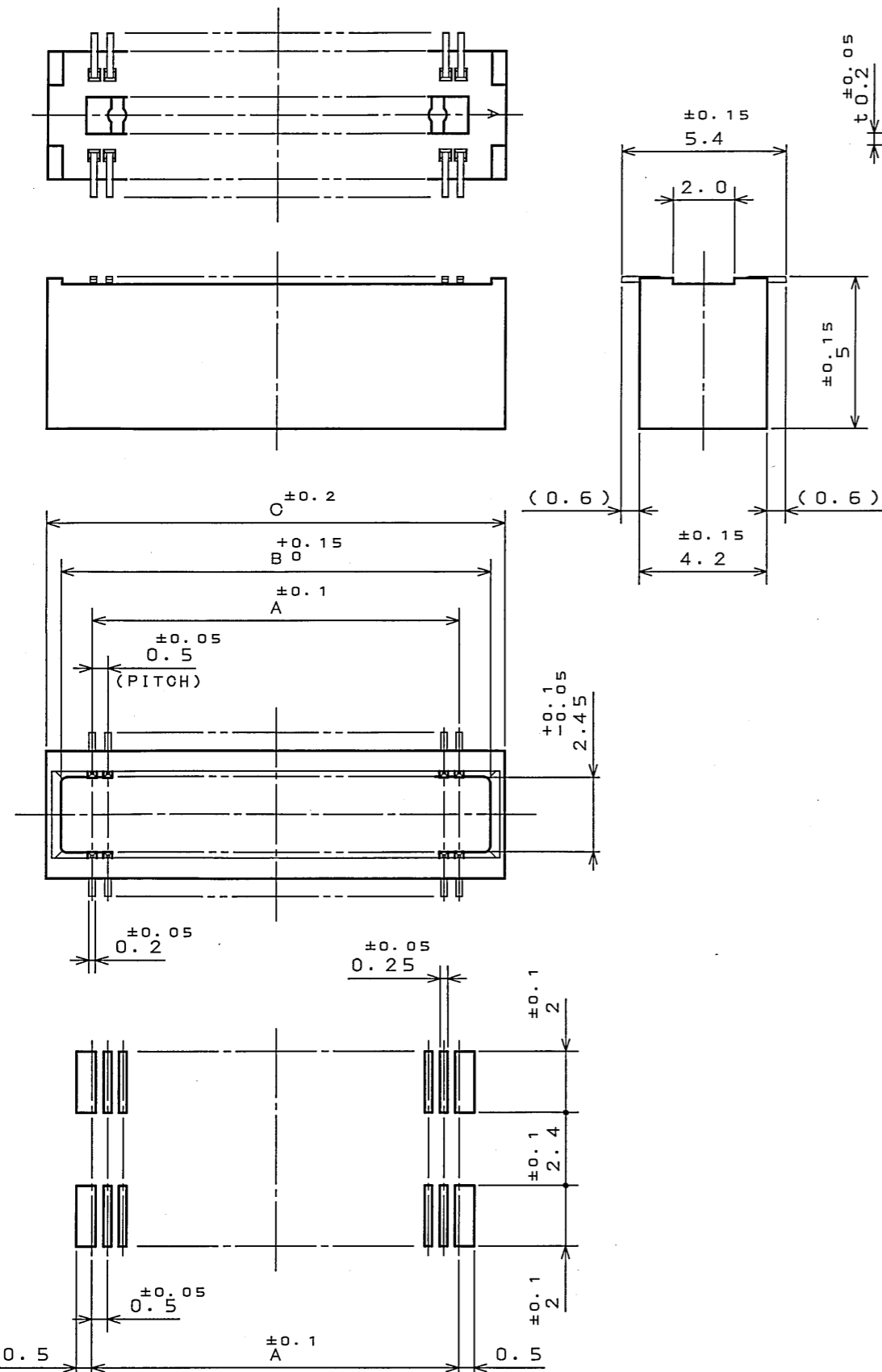


TABLE 1

| No. OF CONTACT(N) | A    | B    | C    |
|-------------------|------|------|------|
| 30                | 7.0  | 9.0  | 10.0 |
| 40                | 9.5  | 11.5 | 12.5 |
| 50                | 12.0 | 14.0 | 15.0 |
| 60                | 14.5 | 16.5 | 17.5 |
| 70                | 17.0 | 19.0 | 20.0 |
| 80                | 19.5 | 21.5 | 22.5 |
| 100               | 24.5 | 26.5 | 27.5 |
| 120               | 29.5 | 31.5 | 32.5 |
| 160               | 39.5 | 41.5 | 42.5 |

TABLE 2

| FINISH | CONTACT AREA                | TERMINAL AREA          |
|--------|-----------------------------|------------------------|
| N 1    | GOLD(0.1μm MIN) OVER NICKEL | GOLD FLASH OVER NICKEL |

NOTE 1. COPLANARITY IS AS PER APPLICABLE SPECIFICATION.

注1. 端子の振れ規定は適用仕様書による。

MATED CONDITION (REF.)

APPLICABLE P.C.B. DIMENSION (REF.)  
(CONNECTOR MOUNTING SIDE)

|                        |                   |                     |                  |   |
|------------------------|-------------------|---------------------|------------------|---|
| 2                      | INSULATOR         | 1                   | GLASS FILLED PPS | COLOR: BLACK                                    |
| 1                      | CONTACT           | N                   | PHOSPHOR BRONZE  | TABLE 2   |
| 符号<br>NO.              | 名称<br>DESCRIPTION | 個数<br>QTY.          | 材料<br>MATERIAL   | 仕上<br>FINISH                                    |
| 仕様書 (SPECIFICATION)    | JACS-1385-*       | 第1版 (ORIGINAL DATE) | 4. Dec. 2003     | 5:1   |
| 公差 (GENERAL TOLERANCE) |                   | 製図<br>DR.           | M. TANAKA        | 備考<br>REMARKS                                   |
| 寸法 (DIMENSION)         | 角度 (ANGLES)       | 担当<br>CHK.          | T. SHIODA        | JAPAN AVIATION<br>ELECTRONICS<br>INDUSTRY, LTD. |
| . ±0.8                 | ° ±               | 査閲<br>APPD.         | K. Kawahara      |   |
| .X ±0.4                | °X' ±             | 承認<br>APPD.         | S. Kashiwagi     |   |
| .XX ±0.1               |                   | 名称 (TITLE)          | WR-*P-VF60-N1    | 図面番号 (DRAWING NO.)                              |
| .XXX ±                 |                   | 重量 (WEIGHT)         |                  | SJ100355  |

LEAD FREE この製品は鉛フリー品です

JAE CONNECTOR DIV. PROPRIETARY.  
COPYRIGHT (C) 2003, JAPAN AVIATION ELECTRONICS INDUSTRY, LTD.

DOF-0-212E(03.08)

