

MAX9644/MAX9645/MAX9646 Evaluation Kits

Evaluate: MAX9644/MAX9645/MAX9646

General Description

The MAX9644/MAX9645/MAX9646 evaluation kits (EV kits) are fully assembled and tested PCBs that evaluate the MAX9644/MAX9645/MAX9646 single comparators. All EV kits have a common internal reference voltage of +0.2V, operate from a +1V to +5.5V power supply (VCC), and have a common -0.3V to +5.5V input voltage (IN) range.

The EV kits are configured to evaluate both the 4-bump UCSP™ (installed) and an optional 5-pin SOT23 (to do so, request a free MAX9644/MAX9645/MAX9646 SOT23 IC sample when ordering the EV kits).

Features

- ◆ -0.3V to +5.5V Input Voltage Range
- ◆ +1V to +5.5V VCC Range
- ◆ +0.2V Internal Reference Voltage
- ◆ Evaluates 4-Bump UCSP and Optional 5-Pin SOT23 Packages
- ◆ Proven PCB Layout
- ◆ Fully Assembled and Tested

Ordering Information appears at end of data sheet.

Component List

DESIGNATION	QTY	DESCRIPTION
C1, C2	2	0.1µF ±10%, 25V X7R ceramic capacitors (0603) Murata GRM188R71E104K TDK C1608X7R1E104K
JU1	1	3-pin header
R1, R2	2	100kΩ ±5% resistors (0603)
U1	1	See the <i>EV Kit-Specific Component List</i>

DESIGNATION	QTY	DESCRIPTION
U2	0	Not installed, single comparator (5 SOT23) Maxim MAX9644/MAX9645/ MAX9646
—	1	Shunts
—	1	PCB: MAX9644/5/6 EVALUATION KIT

EV Kit-Specific Component List

PART	DESIGNATION	DESCRIPTION
MAX9644EVKIT#	U1	Open-drain noninverting single comparator (4 UCSP) Maxim MAX9644EBS+G45 (Top Mark: AGL)
MAX9645EVKIT#		Open-drain inverting single comparator (4 UCSP) Maxim MAX9645EBS+G45 (Top Mark: AGM)
MAX9646EVKIT#		Push-pull noninverting single comparator (4 UCSP) Maxim MAX9646EBS+G45 (Top Mark: AGN)

Component Suppliers

SUPPLIER	PHONE	WEBSITE
Murata Electronics North America, Inc.	770-436-1300	www.murata-northamerica.com
TDK Corp.	847-803-6100	www.component.tdk.com

Note: Indicate that you are using the MAX9644, MAX9645, or MAX9646 when contacting these component suppliers.

UCSP is a trademark of Maxim Integrated Products, Inc.

MAX9644/MAX9645/MAX9646 Evaluation Kits

Evaluate: MAX9644/MAX9645/MAX9646

Quick Start

Recommended Equipment

- MAX9644, MAX9645, or MAX9646 EV kit
- Two -5V DC power supplies (VCC, IN)
- Optional third +5V DC power supply (EXT for MAX9644/MAX9645 only)
- Digital multimeter (DMM)

Procedure

The EV kits are fully assembled and tested. Follow the steps below to verify board operation. **Caution: Do not turn on the power supply until all connections are completed.**

- 1) Verify that a shunt is installed on pins 1-2 of jumper JU1.
- 2) Connect the positive terminal of a DC power supply to the VCC PCB pad and the ground terminal to the GND PCB pad.
- 3) Connect the positive terminal of a DC power supply to the IN PCB pad and the ground terminal to the GND PCB pad.
- 4) Connect the positive terminal of a DC power supply to the EXT PCB pad and the ground terminal to the GND PCB pad. (MAX9644/MAX9645 only)
- 5) Turn on the VCC power supply and set it to the desired level.
- 6) Turn on the IN power supply and set it to the desired level.
- 7) Turn on the EXT power supply and set it to the desired level (MAX9644/MAX9645 only).
- 8) Monitor the output using a DMM at the OUT1 PCB pad, and study its response to varying voltage at IN.

Detailed Description of Hardware

The MAX9644/MAX9645/MAX9646 EV kits are fully assembled and tested PCBs that evaluate the MAX9644/MAX9645/MAX9646 single comparators. The MAX9644 is an open-drain noninverting single comparator, the MAX9645 is an open-drain inverting single comparator, and the MAX9646 is a push-pull noninverting single comparator. All EV kits have an internal reference voltage of +0.2V, require VCC between +1V to +5.5V to operate, and have a common -0.3 to +5.5V input voltage (IN) range.

VCC Supply Selection

The VCC PCB pad on the EV kits is used to supply a +1V to +5.5V VCC supply to the IC.

The EV kits can evaluate both 4-bump UCSP (U1) and 5-pin SOT23 (U2) packages. The EV kit offers the option to power up U1 or U2 separately through configuration of jumper JU1. See Table 1 for power-up options.

EXT PCB Pad

The EXT PCB pad on the EV kits can be used as an external source to pull the outputs high through resistors R1 or R2 when open-drain versions of the parts are used.

Table 1. Jumper JU1 Functions

SHUNT POSITION	VCC/REF PAD
1-2*	Powers U1 (UCSP) sub circuit
2-3	Powers optional U2 (SOT23) sub circuit

*Default position.

MAX9644/MAX9645/MAX9646 Evaluation Kits

Evaluate: MAX9644/MAX9645/MAX9646

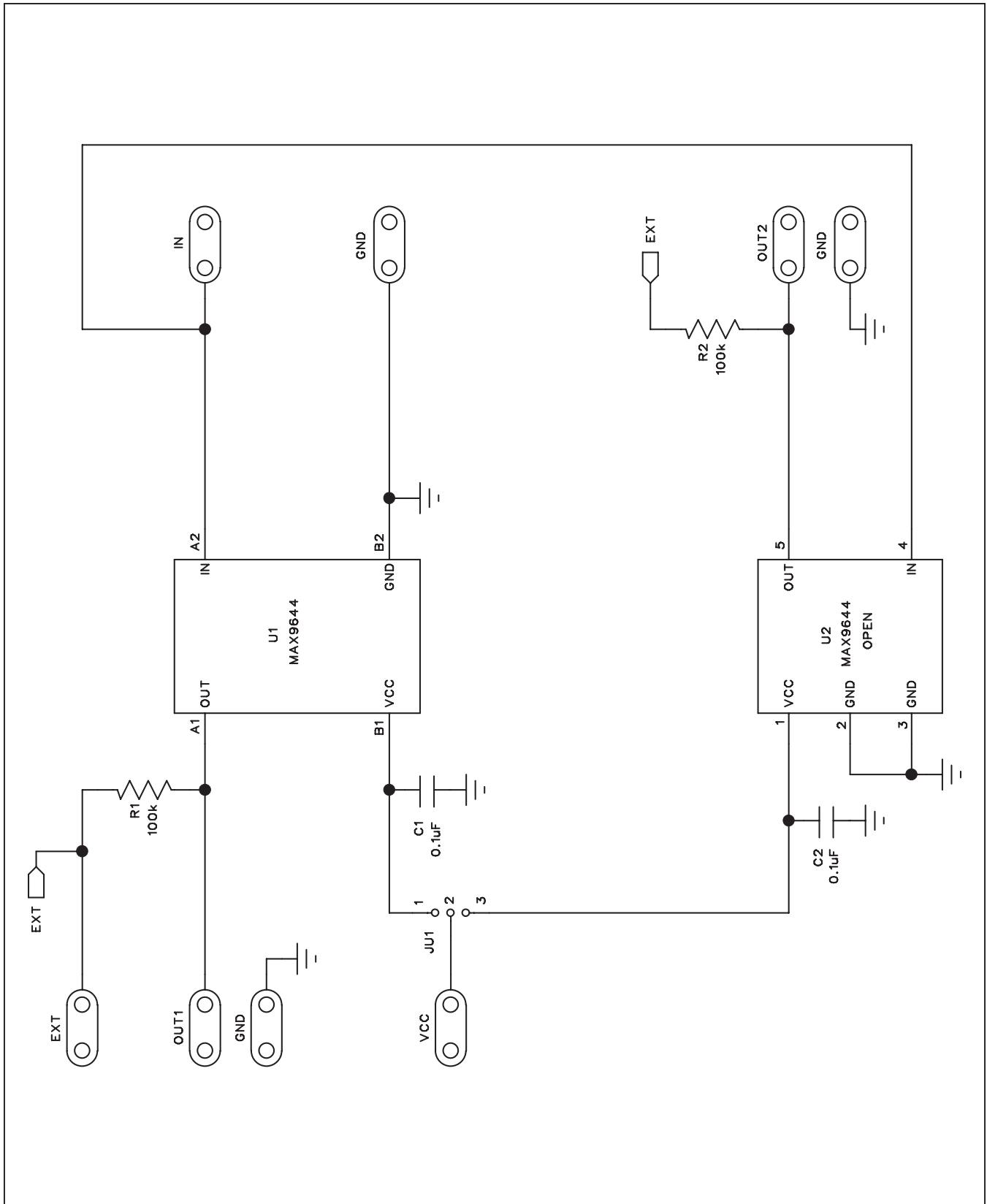


Figure 1. MAX9644 EV Kit Schematic

MAX9644/MAX9645/MAX9646 Evaluation Kits

Evaluate: MAX9644/MAX9645/MAX9646

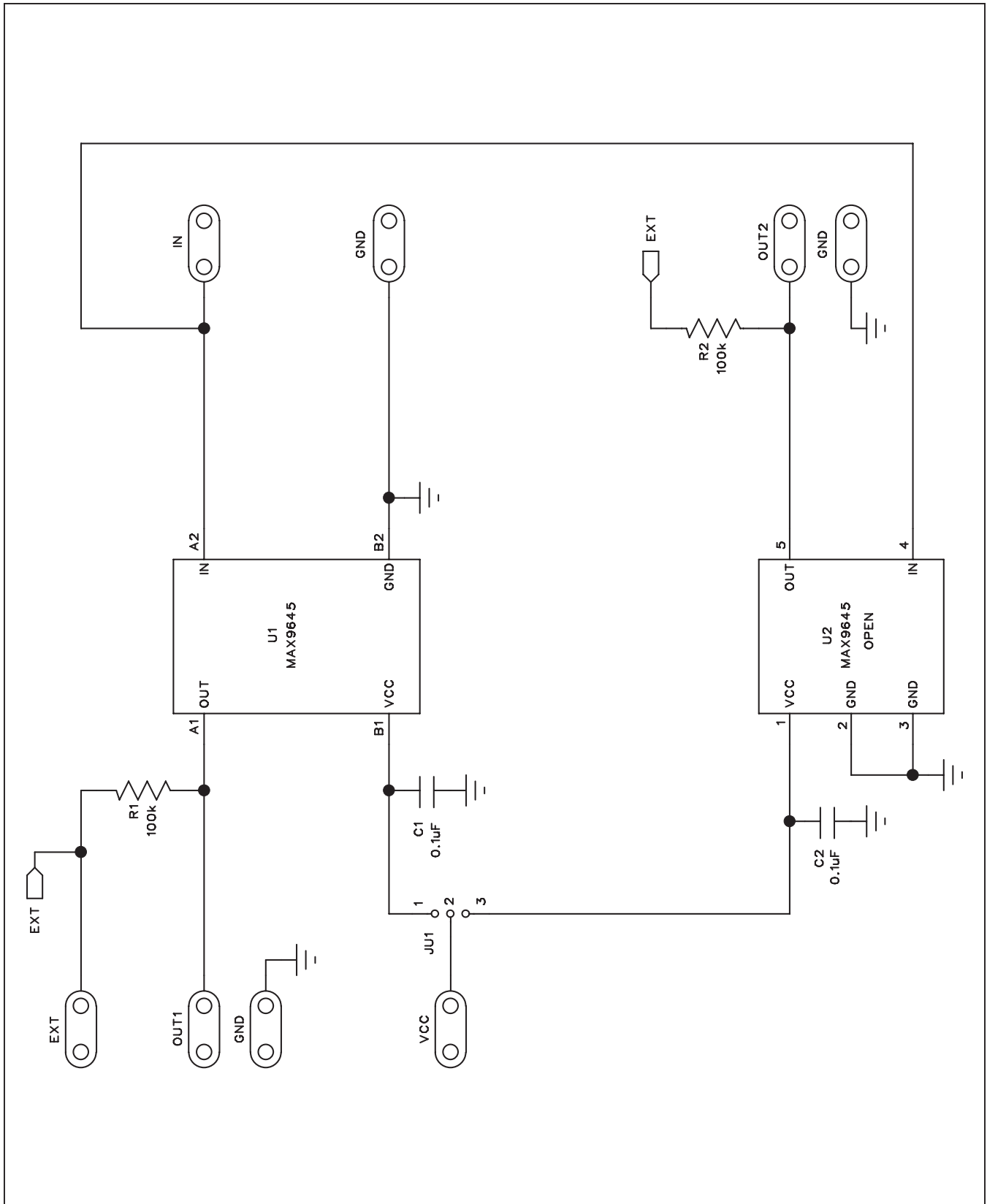


Figure 2. MAX9645 EV Kit Schematic

MAX9644/MAX9645/MAX9646 Evaluation Kits

Evaluate: MAX9644/MAX9645/MAX9646

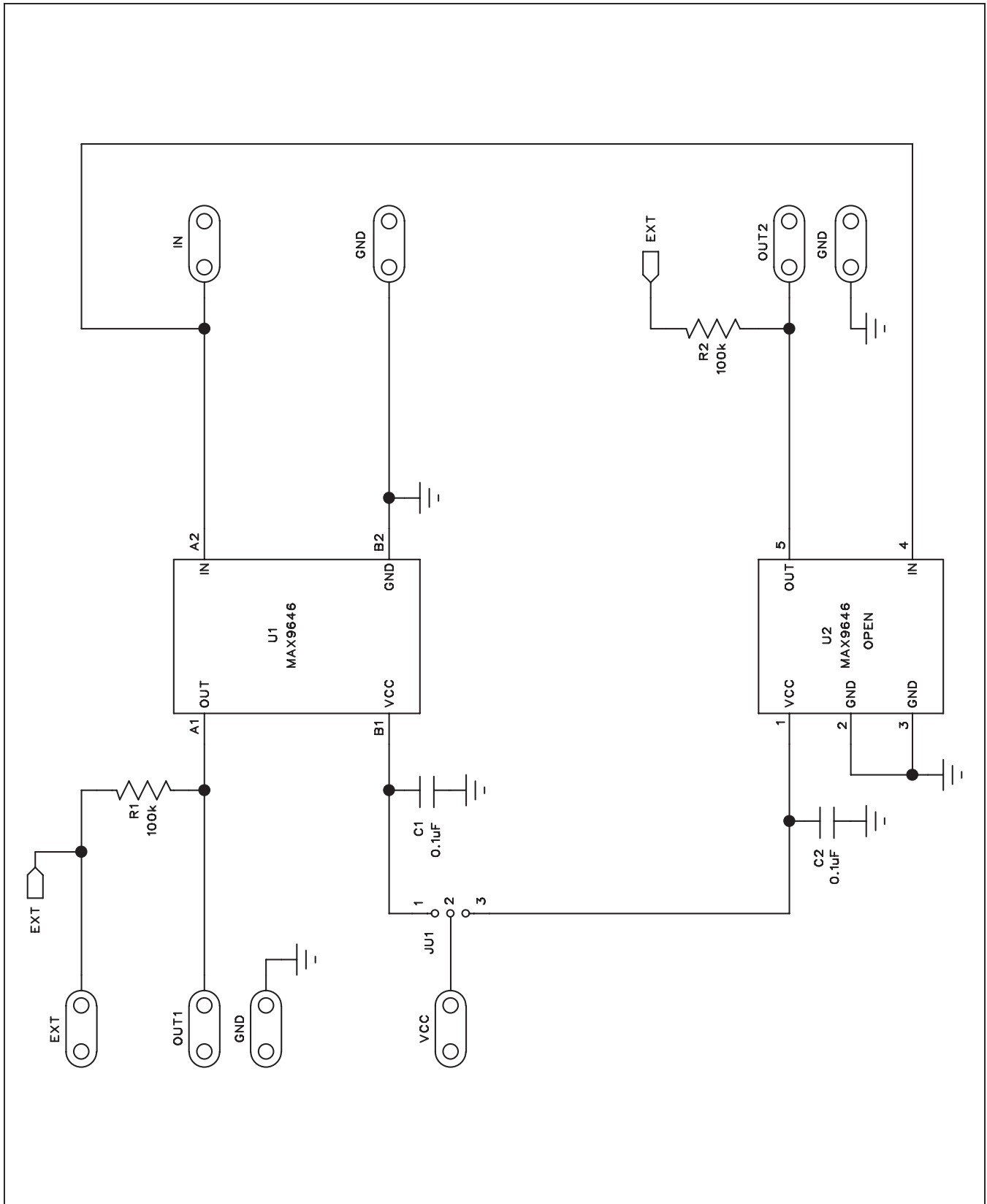


Figure 3. MAX9646 EV Kit Schematic

MAX9644/MAX9645/MAX9646 Evaluation Kits

Evaluate: MAX9644/MAX9645/MAX9646

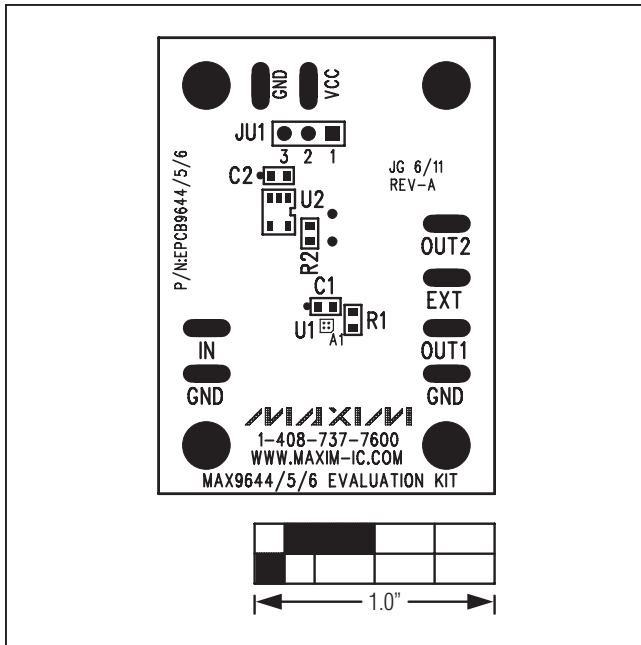


Figure 4. MAX9644/MAX9645/MAX9646 EV Kit PCB Component Placement

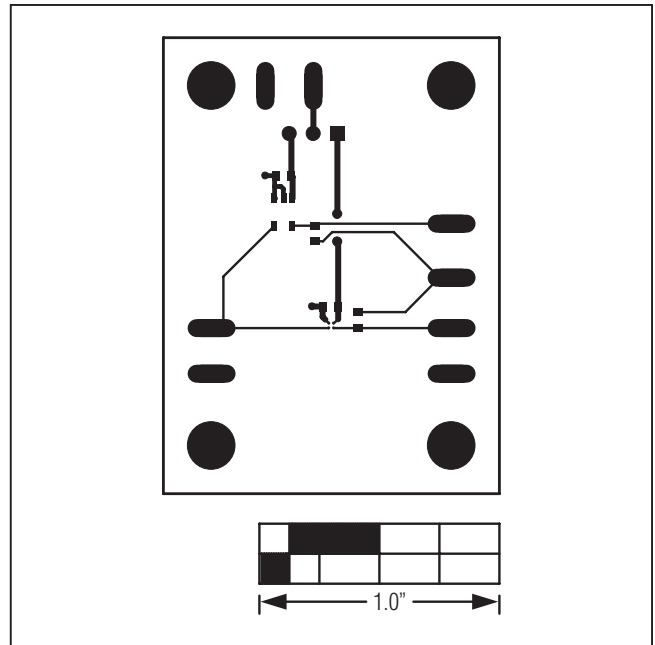


Figure 5. MAX9644/MAX9645/MAX9646 EV Kit PCB Layout—Component Side

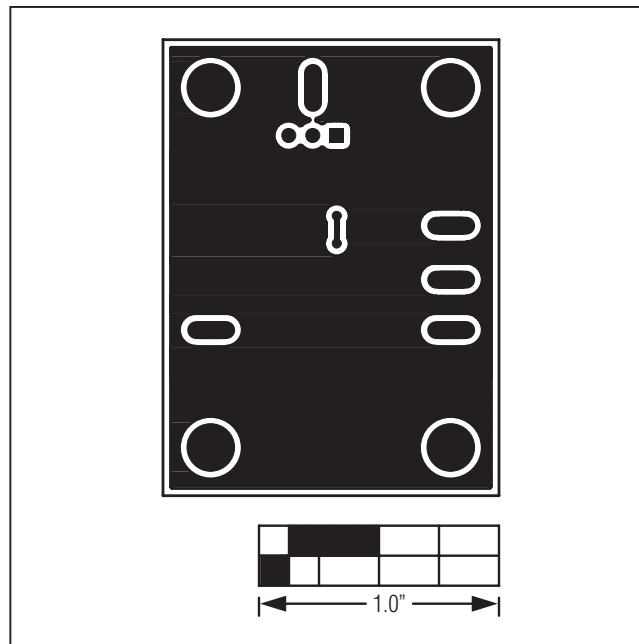


Figure 6. MAX9644/MAX9645/MAX9646 EV Kit PCB Layout—Solder Side

MAX9644/MAX9645/MAX9646 Evaluation Kits

Evaluate: MAX9644/MAX9645/MAX9646

Ordering Information

PART	TYPE
MAX9644EVKIT#	EV Kit
MAX9645EVKIT#	EV Kit
MAX9646EVKIT#	EV Kit

#Denotes RoHS compliant.

MAX9644/MAX9645/MAX9646 Evaluation Kits

Evaluate: MAX9644/MAX9645/MAX9646

Revision History

REVISION NUMBER	REVISION DATE	DESCRIPTION	PAGES CHANGED
0	7/11	Initial release	—

Maxim cannot assume responsibility for use of any circuitry other than circuitry entirely embodied in a Maxim product. No circuit patent licenses are implied. Maxim reserves the right to change the circuitry and specifications without notice at any time.

Maxim Integrated Products, 120 San Gabriel Drive, Sunnyvale, CA 94086 408-737-7600 _____ 8