

3D VIEW

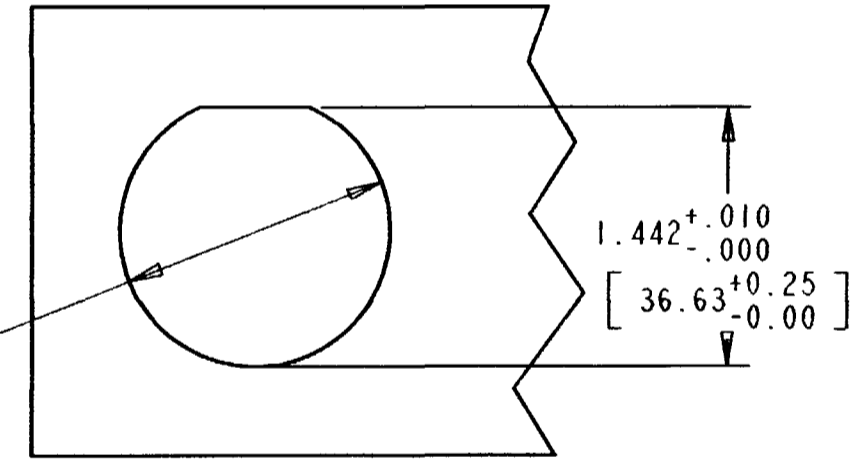
REV		REVISIONS			
NC	HD10-9-96P*-B025	SYM	DESCRIPTION	DATE	APPROVED
		NC	NEW RELEASE PER E.O. P19602	7-31-07	RDR

- 10. * = SEAL TYPE ('BLANK', E)
- 9. MATERIAL: SHELL: PLASTIC; SEAL: RUBBER.
- 8. OVERALL DIMENSION DOES NOT INCLUDE RUBBER GROMMET.
- 7. THIS RECEPTACLE MATES WITH HD16-9-96S*-**** PLUG (* = SEAL TYPE, **** = ALL MODIFICATIONS).
- 6. FOR CONTACTS AND WIRES PERFORMANCE AND APPLICATION CHARACTERISTICS SEE ENVELOPE DRAWING 0425-015-0000. THIS RECEPTACLE USES PIN CONTACTS ONLY.
- 5. USE PANEL NUT P/N 2411-002-1805 AND LOCK WASHER P/N 2414-002-1886. PANEL NUT MOUNTING TORQUE: 45-55 IN-LB [5.1-6.1 N-M].
- 4. RECOMMENDED PANEL THICKNESS: .062[1.57] TO .188[4.77].
- 3. ALL DIMENSIONS ARE IN INCHES [MILLIMETERS]. DIMENSION TOLERANCE: ±.025[±.63]. UNLESS OTHERWISE SPECIFIED.
- 2. THIS CONNECTOR WILL ACCOMMODATE THE FOLLOWING WIRE INSULATION DIAMETERS:

SEAL TYPE	MINIMUM O.D.	MAXIMUM O.D.
NORMAL (BLANK)	.100 [2.54]	.150 [3.81]
E	.053 [1.35]	.120 [3.05]

NOTES: 1. CONSULT FACTORY FOR ELECTRICAL AND MATERIAL SPECIFICATIONS.

Ø 1.507 ± .005 [38.28 ± 0.12]



RECOMMENDED PANEL CUTOUT

SIGNATURE & DATE	
DR	A. MALAGON 31 JUL 07
CHK	R. M... 7/31/07
PE	S. B... 7-31-07
APPD	A. R... 9-5-07
SCALE	NONE WT

RECEPTACLE CONNECTOR
ARRANGEMENT 9-96
D-HOLE PANEL MOUNT
COLOR: BLACK
HD10 SERIES

ENVELOPE

EP	MATL. CODE
	3850 INDUSTRIAL AVE. HEMET, CA 92545
DEUTSCH INDUSTRIAL	
B HD10-9-96P*-B025	
DWG SIZE	CODE 11139 SHEET 1 OF 1