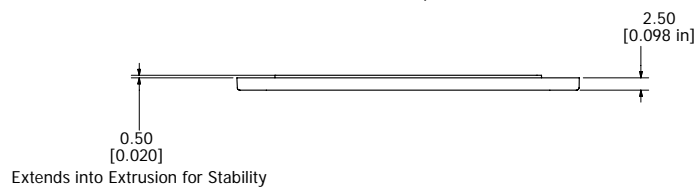
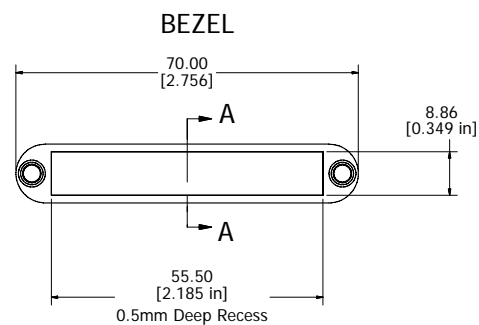
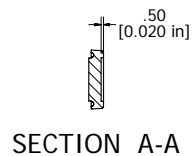
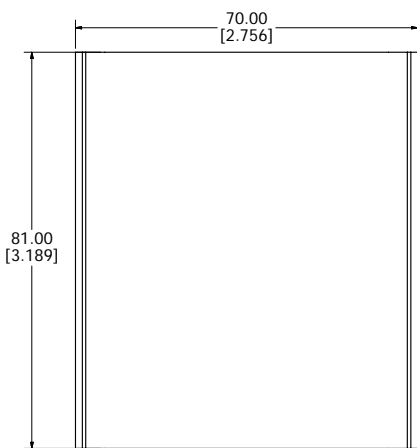
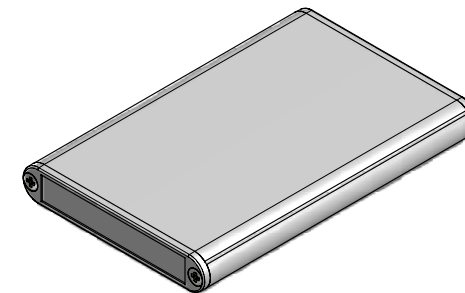


Extrusion designed for 60mm wide x 80mm long PCBs.



Enclosures can be Factory Modified ( Milling, Drilling, Printing etc. )  
 Solid models of this enclosure available in STEP or IGES.  
 Contact Factory [mjm@hammondmfg.com](mailto:mjm@hammondmfg.com)

NOTE	
Purchased assembly includes box, plastic bezels, #6 Taptight screws and self adhesive rubber feet.	
Box made from Extruded Aluminum 6063.	
Bezels made from polycarbonate.	

1455A802	
PART NUMBERS	
Clear Anodized	1455A802
Black Anodized	1455A802BK
ACCESSORIES	
See website for accessories.	

**HAMMOND MANUFACTURING™**

**1455A802**

[www.hammondmfg.com](http://www.hammondmfg.com)