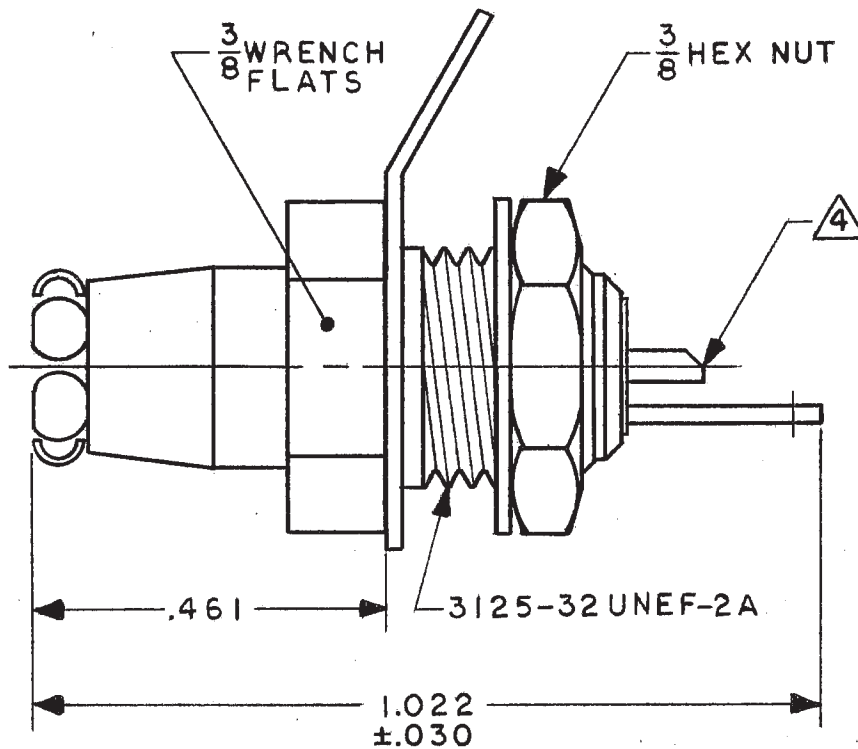
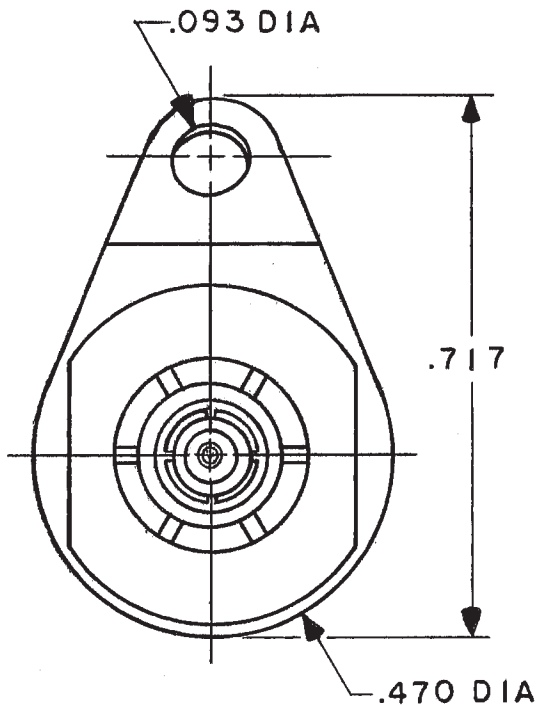


DATA CONTAINED IN THIS DOCUMENT IS PROPRIETARY TO TROMPETER ELECTRONICS INC. AND SHALL NOT BE DISCLOSED, COPIED OR USED FOR PROCUREMENT OR MANUFACTURE WITHOUT EXPRESS WRITTEN PERMISSION.

REV		EO	DESCRIPTION	DWN	APPROVED	DATE
			REVISIONS		3000-0065 SH 1	
A	7391		L/M PART NOS 1/2/3 WERE 8000-1838/8000-1488-1/8000-1523	CKH	F3, DM, AT	1-30-87

INCH	MM
.005	0.13
.026	0.66
.030	0.76
.088	2.24
.093	2.36
.461	11.71
.470	11.94
.717	18.21
1.022	25.96




5. SUBMINATURE
TWINAX/TRIAX PUSH ON
SOLDER POT PANEL JACK

△ 4 SOLDER POT ACCEPTS .026
MAX DIA CONDUCTOR

3. MAX PNL THK .088

2. FINISH: TFS-1A (NICKEL)

1. ALL DIM ARE IN INCHES

QTY	DESCRIPTION	PART NUMBER	ITEM
TOL UNLESS SPECIFIED .XX ± .XXX ±.005 .XXXX ± ANGLES ±		 PL151	
DWN	JEH 5-26-81		
CHK	TW 5-27-81	—	14949
ENGR			
APPR	AT 7-2-81	SCALE 4/1	DATE 7-7-81
NEXT ASSY		DRAWING NO.	REV
		3000-0065	A
		SHEET 1 OF 2	