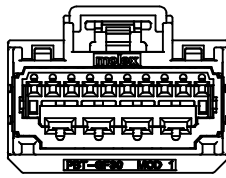
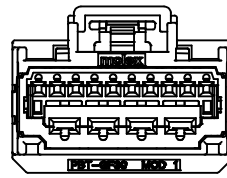


POLARIZATION OPTION "A"
P/N: 34927-0140



POLARIZATION OPTION "B"
P/N: 34927-0141



POLARIZATION OPTION "C"
P/N: 34927-0142

| MOLEX ASSEMBLY PART NO.'S | MATING COMPONENT | |
|---------------------------|------------------|--------------------|
| | VERTICAL HEADER | RIGHT ANGLE HEADER |
| 34927-0140 | 34772-0140 | 34773-0140 |
| 34927-0141 | 34772-0141 | 34773-0141 |
| 34927-0142 | 34772-0142 | 34773-0142 |

| ITEM | DESCRIPTION | COLOR | MOLEX COMPONENTS PART NO. | RECYCLING CODE | WEIGHT | NO OF ITEMS REQUIRED | |
|------|----------------------|---------|---------------------------|----------------|--------|----------------------|---|
| 1 | FEMALE HOUSING POL A | BLACK | 34927-3140 | PBT-GF30 | 7.24g | 1 | |
| 2 | FEMALE HOUSING POL B | GRAY | 34927-3141 | PBT-GF30 | 7.24g | | 1 |
| 3 | FEMALE HOUSING POL C | BROWN | 34927-3142 | PBT-GF30 | 7.24g | | 1 |
| 3 | TPA | NATURAL | 34927-1200 | PBT-GF30 | 1.14g | 1 | 1 |

| ITEM | APPLICABLE COMPONENTS | | | APPLICABLE WIRE SIZE | |
|------|-----------------------|------|------------------------------|----------------------|-----------------------------|
| | DESCRIPTION | TYPE | SUPPLIER COMPONENTS PART NO. | WIRE GAGE | MAXIMUM INSULATION DIAMETER |
| 1 | TYCO 0.64 TERMINAL | Sn | 1456574-1 | 20/22 AWG | 1.85 mm |
| 2 | | Sn | 1456574-2 | 18 AWG | 2.06 mm |
| 3 | TYCO 2.8 TERMINAL | Sn | 1326030-4 | 10/12 AWG | 4.04 mm |
| 4 | | Sn | 1326030-3 | 14/16 AWG | 2.69 mm |
| 5 | | Sn | 1326030-2 | 18/20 AWG | 2.06 mm |
| 6 | | Sn | 1326030-1 | 22 AWG | 1.65 mm |
| 7 | YAZAKI 2.8 TERMINAL | Sn | 7116-4112-02 | 14 AWG | 2.69mm |
| 8 | | Sn | 7116-4111-02 | 16/18 AWG | 2.34mm |
| 9 | | Sn | 7116-4110-02 | 20/22 AWG | 1.85mm |



ISOMETRIC VIEWS
SCALE 1:1
(POLARITY A SHOWN)

NOTES: VALID UNLESS OTHERWISE SPECIFIED

1. GENERAL:

- a. APPLICATION SPECIFICATION SEE: AS-34729-020
- b. PRODUCT SPECIFICATION SEE: PS-34969-100
- c. PACKAGING SPECIFICATION PER MOLEX DRAWING: PK-31301-211
- d. PARTS MUST BE IN COMPLIANCE TO MOLEX CHEMICAL SUBSTANCES FOR PRODUCTS AND PACKAGING SPECIFICATION: PS-40000-5015
- e. DATA MUST BE SUBMITTED UNDER THE MOLEX PART NUMBER TO IMDS (COMPANY ID#13255)

2. DESIGN - MATERIALS:

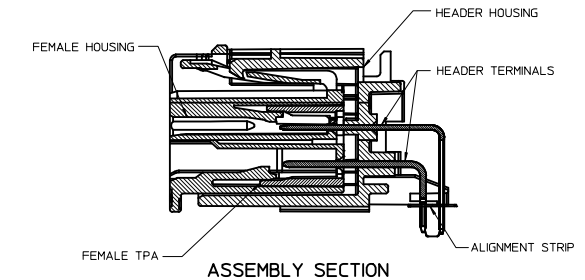
- a. SEE BOM TABLE

3. DESIGN - GEOMETRY:

- a. THIS IS A 100% CAD GENERATED PART. THE CAD MATHEMATICAL DATA IS THE MASTER FOR THIS PART. FOR DIMENSIONAL OR ANY INFORMATION NOT SHOWN ON THIS DRAWING, ANALYZE THE CAD MODEL.
- b. GEOMETRIC DIMENSIONS AND TOLERANCES PER ASME Y14.5M - 1994
- c. EDGES AND UNDIMENSIONED DETAILS PER ISO13715
- d. CORNERS SHOWN AS SHARP TO BE R 0.2 MAX.
- e. LETTERING SHALL BE 0.15 MAX RAISED IN 0.25 MAX RECESS PAD. THIS INCLUDES RECYCLING CODE, CAVITY ID, VENDOR IDENTIFICATION, AND CUSTOMER MATERIAL NUMBER.
- f. VISUAL DEFECTS SHALL MEET COSMETIC STANDARD PS-45499-002 (Class B)

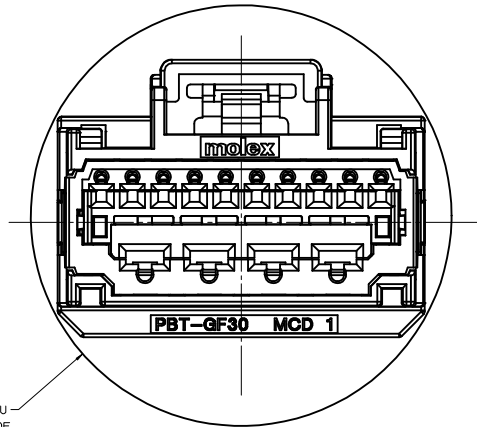
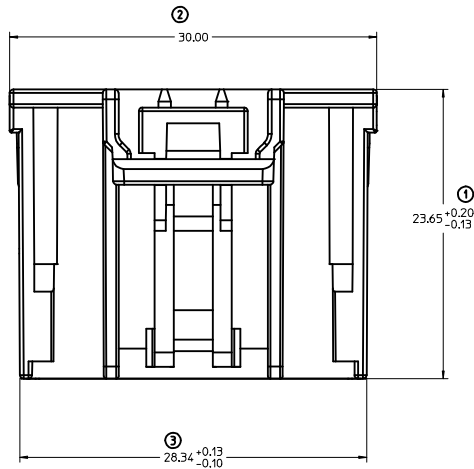
4. DESIGN - MANUFACTURING:

- a. TPAs MAY BECOME SEATED DURING TRANSIT. IF THIS OCCURS, REFERENCE MOLEX PRODUCT SPECIFICATION PS-34646-001

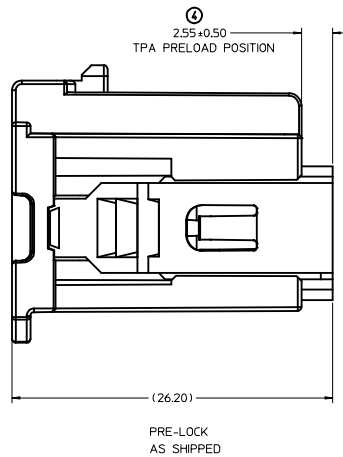


ASSEMBLY SECTION

| | | | | | | | | | | |
|--|---|--|---|--|--|--|--|--|---------------------------------------|--|
| INITIAL RELEASE DEC NO: UAU2016-1509 DRAWN: FISCHER01 2016/04/13 CHYK: APPROVAL: JUAN 2016/04/14 DESCRIPTION: | QUALITY SYMBOLS ∇=0 ∇=0 ∇=0 | | GENERAL TOLERANCES (UNLESS SPECIFIED): mm INCH 4 PLACES ± --- ± --- 3 PLACES ± --- ± --- 2 PLACES ± 0.13 ± --- 1 PLACE ± 0.25 ± --- ANGULAR ± 3 ° | | DIMENSION STYLE MM ONLY DRAWN BY DATE LSONG05 2012/02/20 CHECKED BY DATE TITAN 2012/02/16 APPROVED BY DATE SMARCEAU 2012/03/12 | | SCALE 3:1 DESIGN UNITS METRIC THIRD ANGLE PROJECTION | | 14 CKT HYBRID GEN Y RECEPTACLE | |
| | DRAFT WHERE APPLICABLE MUST REMAIN WITHIN DIMENSIONS | | MATERIAL NO. SEE TABLE | | DOCUMENT NO. SD-34927-010 | | MOLEX INCORPORATED | | SHEET NO. 1 OF 2 | |
| | THIS DRAWING CONTAINS INFORMATION THAT IS PROPRIETARY TO MOLEX INCORPORATED AND SHOULD NOT BE USED WITHOUT WRITTEN PERMISSION | | | | | | | | | |
| | SIZE D | | | | | | | | | |

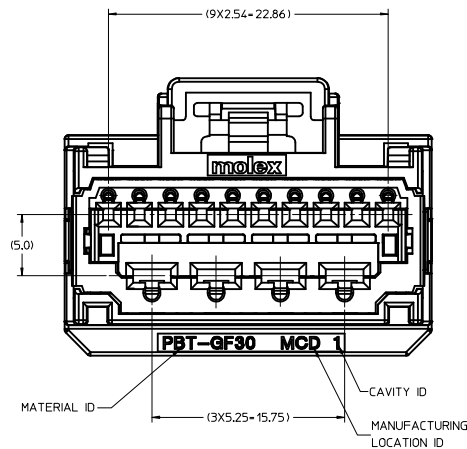


(Ø 35.38) PASS-THRU
WITH +1.0 PER SIDE

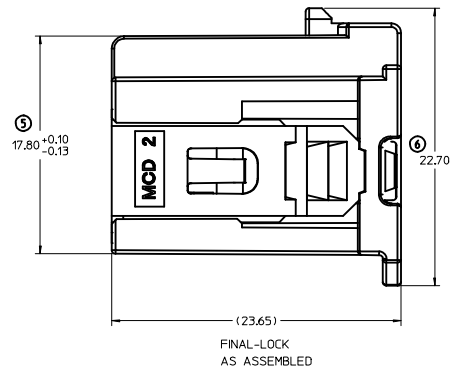


④
2.55+0.50
TPA PRELOAD POSITION

PRE-LOCK
AS SHIPPED

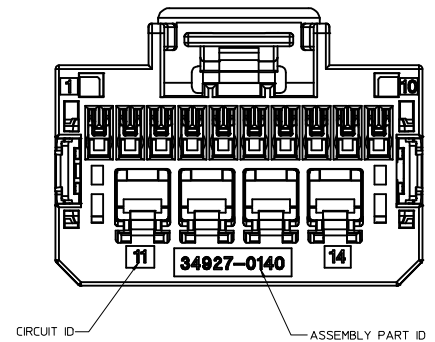


MATERIAL ID
CAVITY ID
MANUFACTURING LOCATION ID



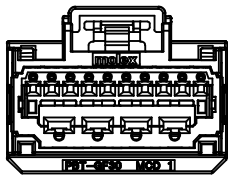
⑤
17.80
+0.10
-0.13

FINAL-LOCK
AS ASSEMBLED

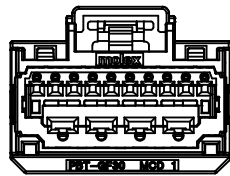


CIRCUIT ID
ASSEMBLY PART ID

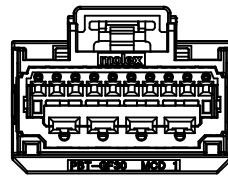
| | | | | | | | |
|---|--|---------------------------------------|---|--------------------------------|--------------|------------------------|--|
| SEE SHEET 1 IEC NO. UAU2016-1509 DRAWN/FISCHER01 2016/04/13 CHKD: APPR:BRALMAN 2016/04/14 REV DESCRIPTION | QUALITY SYMBOLS | GENERAL TOLERANCES (UNLESS SPECIFIED) | DIMENSION STYLE | SCALE | DESIGN UNITS | THIRD ANGLE PROJECTION | |
| | ▽=0 | mm INCH | MM ONLY | 5:1 | METRIC | ☉ | |
| | ▽=0 | 4 PLACES ± --- ± --- | DRAWN BY DATE | TITLE | | | |
| | ▽=0 | 3 PLACES ± --- ± --- | LSONG05 2012/02/20 | 14 CKT HYBRID GEN Y RECEPTACLE | | | |
| ▽=0 | 2 PLACES ± 0.13 ± --- | CHECKED BY DATE | MOLEX INCORPORATED | | | | |
| ▽=0 | 1 PLACE ± 0.25 ± --- | TITAN 2012/02/16 | SHEET NO. 2 OF 2 | | | | |
| | ANGULAR ± 3 ° | APPROVED BY DATE | DOCUMENT NO. | | | | |
| | | SMARCEAU 2012/03/12 | SD-34927-010 | | | | |
| | DRAFT WHERE APPLICABLE MUST REMAIN WITHIN DIMENSIONS | MATERIAL NO. | THIS DRAWING CONTAINS INFORMATION THAT IS PROPRIETARY TO MOLEX INCORPORATED AND SHOULD NOT BE USED WITHOUT WRITTEN PERMISSION | | | | |
| | | SEE SHEET 1 | | | | | |



POLARIZATION OPTION "A"
P/N: 34969-0140



POLARIZATION OPTION "B"
P/N: 34969-0141



POLARIZATION OPTION "C"
P/N: 34969-0142

| MOLEX ASSEMBLY PART NO.'S | MATING COMPONENT | |
|---------------------------|------------------|--------------------|
| | VERTICAL HEADER | RIGHT ANGLE HEADER |
| 34969-0140 | 34772-0140 | 34773-0140 |
| 34969-0141 | 34772-0141 | 34773-0141 |
| 34969-0142 | 34772-0142 | 34773-0142 |

| ITEM | DESCRIPTION | COLOR | MOLEX COMPONENTS PART NO. | RECYCLING CODE | WEIGHT | NO OF ITEMS REQUIRED | |
|------|----------------------|---------|---------------------------|----------------|--------|----------------------|---|
| 1 | FEMALE HOUSING POL A | BLACK | 34969-3140 | PBT-GF30 | 7.24g | 1 | |
| 2 | FEMALE HOUSING POL B | GRAY | 34969-3141 | PBT-GF30 | 7.24g | | 1 |
| 3 | FEMALE HOUSING POL C | BROWN | 34969-3142 | PBT-GF30 | 7.24g | | 1 |
| 3 | TPA | NATURAL | 34927-1200 | PBT-GF30 | 1.14g | 1 | 1 |

| ITEM | APPLICABLE COMPONENTS | | APPLICABLE WIRE SIZE | | PAYOFF |
|------|-----------------------|-----------------|----------------------|-----------------------------|-----------|
| | DESCRIPTION | TYPE | WIRE GAGE | MAXIMUM INSULATION DIAMETER | DIRECTION |
| 1 | MOLEX CTX64 TERMINAL | Sn 34803-0212 | 20 AWG | 1.90 mm | LEFT |
| 2 | | Sn 34803-0211 | 22 AWG | 1.65 mm | LEFT |
| 3 | | Sn 34803-0214 | 20 AWG | 1.90 mm | RIGHT |
| 4 | | Sn 34803-0213 | 22 AWG | 1.65 mm | RIGHT |
| 5 | TYCO 2.8 TERMINAL | Sn 1326030-4 | 10/12 AWG | 4.04 mm | \ |
| 6 | | Sn 1326030-3 | 14/16 AWG | 2.69 mm | \ |
| 7 | | Sn 1326030-2 | 18/20 AWG | 2.06 mm | \ |
| 8 | | Sn 1326030-1 | 22 AWG | 1.65 mm | \ |
| 9 | TYCO 2.8 TERMINAL | Sn 7116-4112-02 | 14 AWG | 2.69 mm | \ |
| 10 | | Sn 7116-4111-02 | 16/18 AWG | 2.34 mm | \ |
| 11 | | Sn 7116-4110-02 | 20/22 AWG | 1.85 mm | \ |



ISOMETRIC VIEWS
SCALE 1:1
(POLARITY A SHOWN)

NOTES: VALID UNLESS OTHERWISE SPECIFIED

1. GENERAL:

- a. APPLICATION SPECIFICATION SEE: AS-34729-010
- b. PRODUCT SPECIFICATION SEE: PS-34969-100
- c. PACKAGING SPECIFICATION PER MOLEX DRAWING: PK-31301-211
- d. PARTS MUST BE IN COMPLIANCE TO MOLEX CHEMICAL SUBSTANCES FOR PRODUCTS AND PACKAGING SPECIFICATION: PS-40000-5015
- e. DATA MUST BE SUBMITTED UNDER THE MOLEX PART NUMBER TO IMDS (COMPANY ID#13255)

2. DESIGN - MATERIALS:

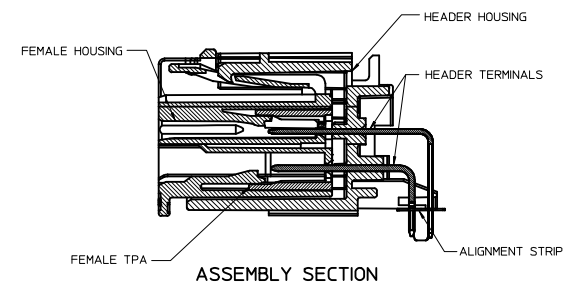
- a. SEE BOM TABLE

3. DESIGN - GEOMETRY:

- a. THIS IS A 100% CAD GENERATED PART. THE CAD MATHEMATICAL DATA IS THE MASTER FOR THIS PART. FOR DIMENSIONAL OR ANY INFORMATION NOT SHOWN ON THIS DRAWING, ANALYZE THE CAD MODEL.
- b. GEOMETRIC DIMENSIONS AND TOLERANCES PER ASME Y14.5M - 1994
- c. EDGES AND UNDIMENSIONED DETAILS PER ISO13715
- d. CORNERS SHOWN AS SHARP TO BE R 0.2 MAX.
- e. LETTERING SHALL BE 0.15 MAX RAISED IN 0.25 MAX RECESS PAD. THIS INCLUDES RECYCLING CODE, CAVITY ID, VENDOR IDENTIFICATION, AND CUSTOMER MATERIAL NUMBER.
- f. VISUAL DEFECTS SHALL MEET COSMETIC STANDARD PS-45499-002 (Class B)

4. DESIGN - MANUFACTURING:

- a. TPAs MAY BECOME SEATED DURING TRANSIT. IF THIS OCCURS, REFERENCE MOLEX PRODUCT SPECIFICATION PS-34646-001

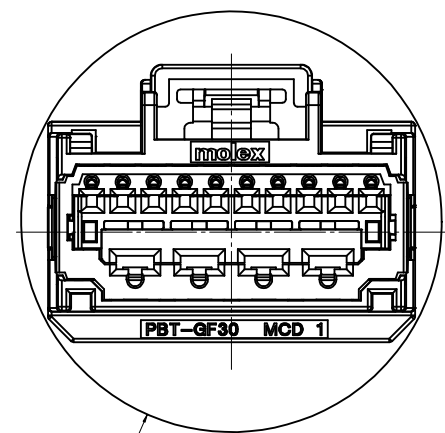
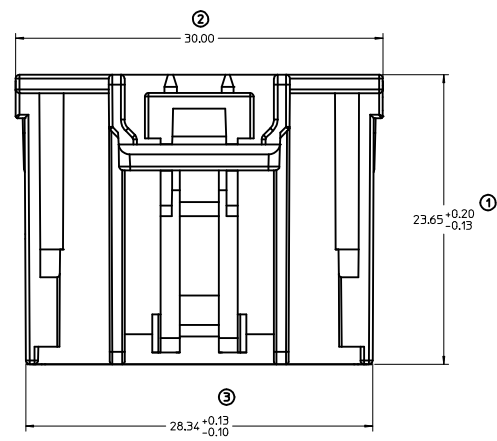


ASSEMBLY SECTION

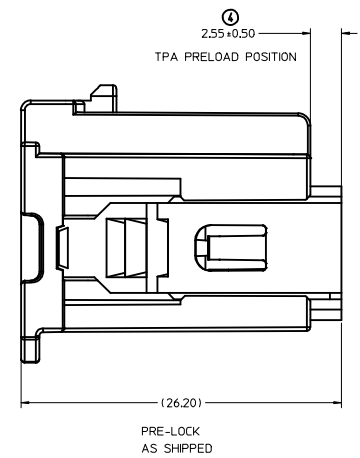
| | | | | | | |
|---|--|---|--|------------------------------------|---------------------|---|
| INITIAL RELEASE DEC NO: UAU2016-1509 DRAWN: FISCHERO1 2016/04/11 CHYK: APPROVAL: RBAUMAN 2016/04/14 DESCRIPTION: | QUALITY SYMBOLS | GENERAL TOLERANCES (UNLESS SPECIFIED) | DIMENSION STYLE | SCALE | DESIGN UNITS | THIRD ANGLE PROJECTION |
| | ∇=0 ∇=0 ∇=0 | 4 PLACES ± 0.13 3 PLACES ± 0.13 2 PLACES ± 0.13 1 PLACE ± 0.25 ANGULAR ± 3° | MM ONLY DRAWN BY: SONGOS CHECKED BY: TITAN APPROVED BY: RBAUMAN DATE: 2012/02/20 DATE: 2012/02/16 DATE: 2013/01/04 | 3:1 | METRIC | 14 CKT HYBRID CTX 0.64 AND GENY 2.80 RECEPTACLE |
| | DRAFT WHERE APPLICABLE MUST REMAIN WITHIN DIMENSIONS | SEE TABLE | MATERIAL NO: DOCUMENT NO: | MOLEX INCORPORATED SD-34969-010 | SHEET NO: 1 OF 2 | |
| | | THIS DRAWING CONTAINS INFORMATION THAT IS PROPRIETARY TO MOLEX INCORPORATED AND SHOULD NOT BE USED WITHOUT WRITTEN PERMISSION | | | | |

20 19 18 17 16 15 14 13 12 11 10 9 8 7 6 5 4 3 2 1

M
L
K
J
I
H
G
F
E
D
C
B
A

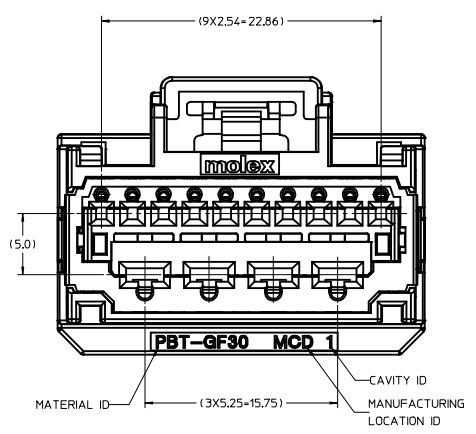


Ø 35.38 PASS-THRU WITH +/- 0.10 PER SIDE

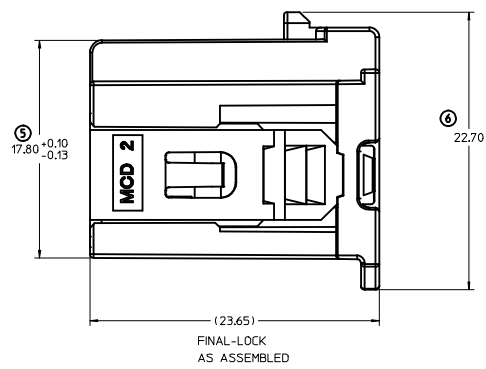


TPA PRELOAD POSITION

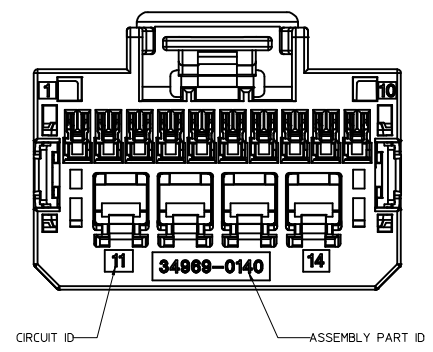
PRE-LOCK AS SHIPPED



MATERIAL ID CAVITY ID MANUFACTURING LOCATION ID



FINAL-LOCK AS ASSEMBLED



CIRCUIT ID ASSEMBLY PART ID

| | | | | | | | |
|--|--|--|----------------------------|---------------------|---|------------------------|-----------------------------|
| SEE SHEET 1 IEC NO. UAU2016-1509 DRAWN/FISCHER01 2016/04/11 CHKD: APPR:RBAUMAN 2016/04/14 | QUALITY SYMBOLS ▽=0 ▽=0 ▽=0 | GENERAL TOLERANCES (UNLESS SPECIFIED) mm INCH 4 PLACES ± --- ± --- 3 PLACES ± 0.13 ± --- 2 PLACES ± 0.25 ± --- 1 PLACE ± 0.25 ± --- ANGULAR ± 3° | DIMENSION STYLE MM ONLY | SCALE 5:1 | DESIGN UNITS METRIC | THIRD ANGLE PROJECTION | |
| | DRAWN BY LSONG05 | DATE 2012/02/20 | CHECKED BY T.I.TAN | DATE 2012/02/16 | APPROVED BY RBAUMAN | DATE 2013/01/04 | MATERIAL NO. SEE SHEET 1 |
| | DRAFT WHERE APPLICABLE MUST REMAIN WITHIN DIMENSIONS | DOCUMENT NO. SD-34969-010 | MOLEX INCORPORATED | SHEET NO. 2 OF 2 | THIS DRAWING CONTAINS INFORMATION THAT IS PROPRIETARY TO MOLEX INCORPORATED AND SHOULD NOT BE USED WITHOUT WRITTEN PERMISSION | | |
| | TITLE 14 CKT HYBRID CTX 0.64 AND GENY 2.80 RECEPTACLE | | | | | | |

19 18 17 16 15 14 13 12 11 10 9 8 7 6 5 4 3 2 1