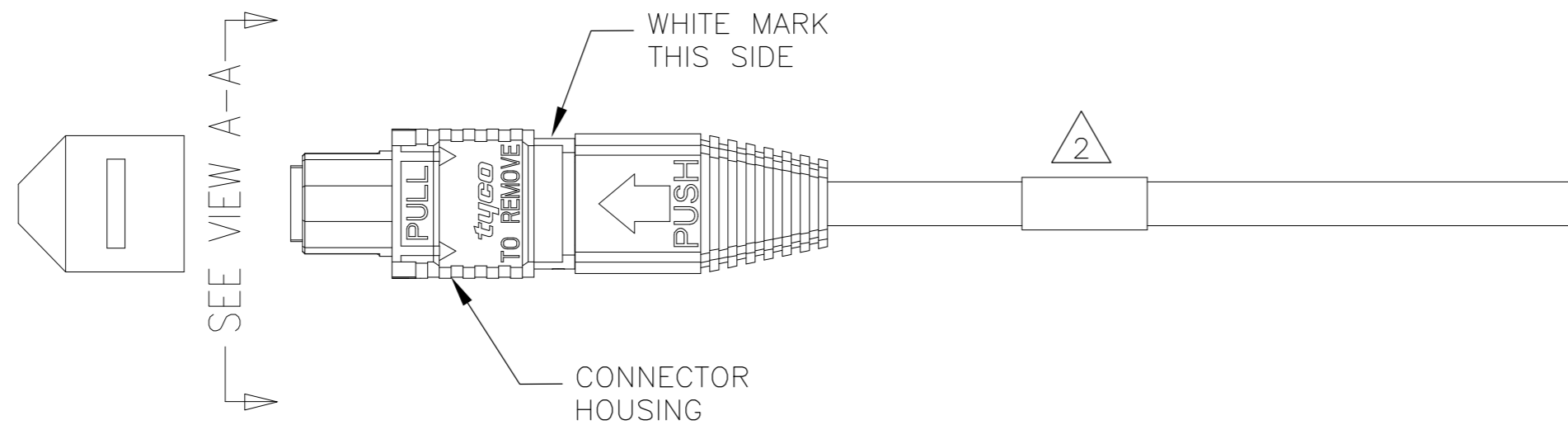
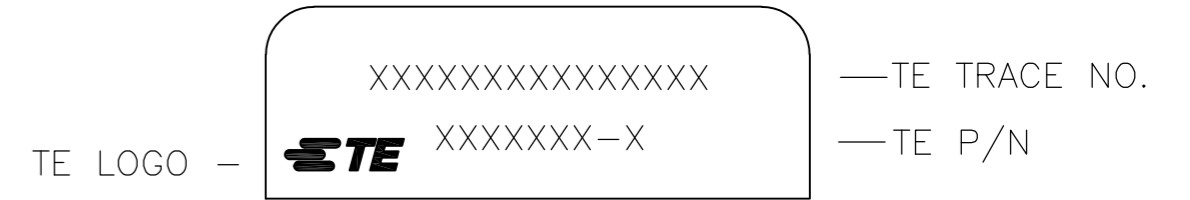
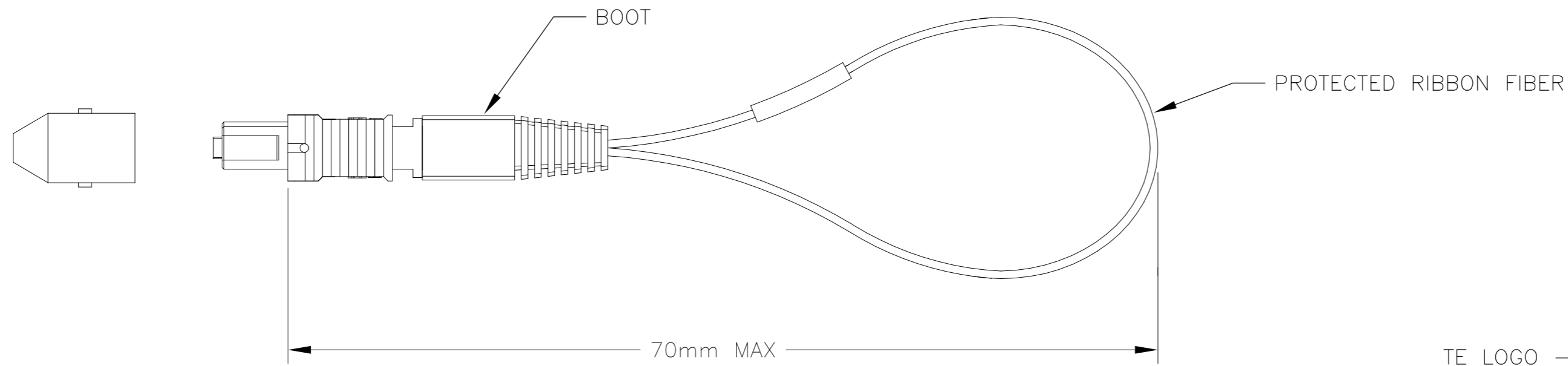


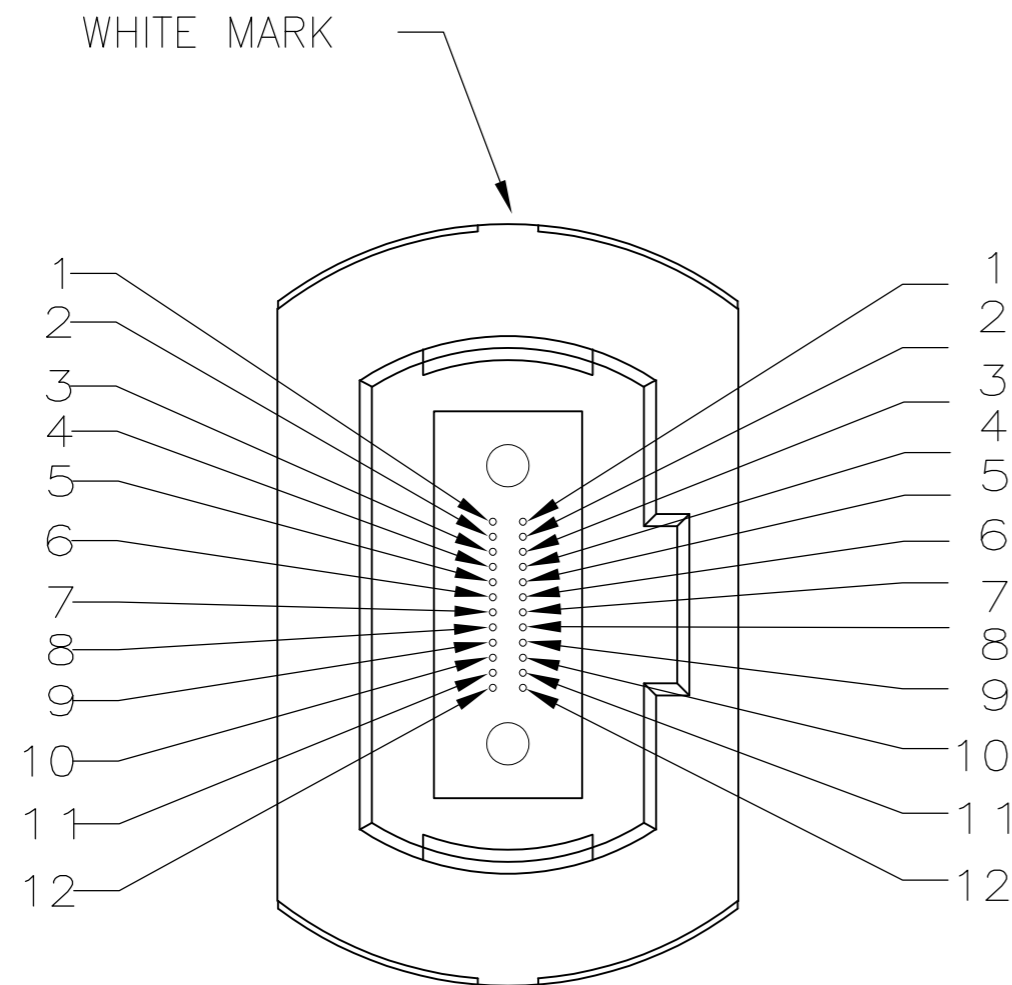
THIS DRAWING IS UNPUBLISHED. RELEASED FOR PUBLICATION
 © COPYRIGHT - By - ALL RIGHTS RESERVED.

| LOC | | DIST | | REVISIONS | | | | | |
|-----|--|------|--|-----------|-----|---------------|-----------|-----|------|
| CE | | 17 | | P | LTR | DESCRIPTION | DATE | DWN | APVD |
| | | | | A | | ECR-15-018403 | 28DEC2015 | BB | SW |



2 TRACE LABEL DETAIL (NOT TO SCALE)

- 1. MAX. INSERTION LOSS EACH CHANNEL 2.0dB AT 850nm.
- 2. SEE TRACE LABEL DETAIL.
- 3. INCLUDE INSERTION LOSS DATA WITH EACH LOOPBACK
- 4. PRODUCT AND PROCESSING MUST MEET REQUIREMENTS OF TEC-138-702



| FIBER NUMBER COLOR | | |
|--------------------|--------|----|
| 1 | BLUE | 1 |
| 2 | ORANGE | 2 |
| 3 | GREEN | 3 |
| 4 | BROWN | 4 |
| 5 | SLATE | 5 |
| 6 | WHITE | 6 |
| 7 | RED | 7 |
| 8 | BLACK | 8 |
| 9 | YELLOW | 9 |
| 10 | VIOLET | 10 |
| 11 | ROSE | 11 |
| 12 | AQUA | 12 |

VIEW A-A NTS

2123248-1
PART NUMBER

| | | | | |
|--|--|-----------------------------|--|--|
| THIS DRAWING IS A CONTROLLED DOCUMENT. | | DWN LG EBY 2-2-2010 | STE TE Connectivity | |
| DIMENSIONS: mm | | CHK F. ABENDSCHEIN 2-2-2010 | | |
| TOLERANCES UNLESS OTHERWISE SPECIFIED: | | APVD D. BAECHTLE 2-2-2010 | NAME CABLE ASSEMBLY, 24 FIBER MTP®50/125um PROTECTED RIBBON LOOPBACK | |
| 0 PLC ± - | | PRODUCT SPEC | SIZE A2 CAGE CODE 00779 DRAWING NO. C=2123248 RESTRICTED TO | |
| 1 PLC ± - | | APPLICATION SPEC | SCALE NTS SHEET 1 of 1 REV A | |
| 2 PLC ± - | | WEIGHT - | | |
| 3 PLC ± - | | CUSTOMER DRAWING | | |
| 4 PLC ± - | | | | |
| ANGLES ± - | | | | |
| FINISH - | | | | |