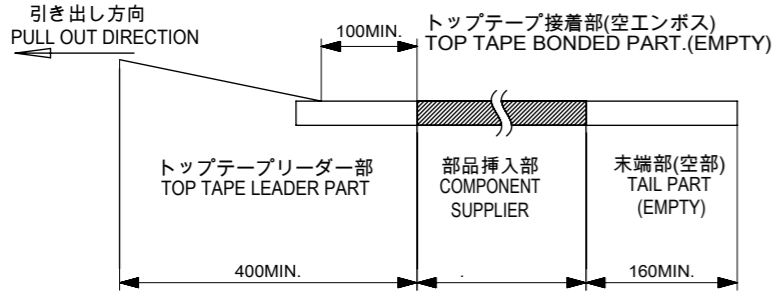


- 製品詳細寸法については、製品単体図面を参照下さい。
THE DETAIL DIMENSION REFER TO SALES DRAWING OF CONNECTOR ITSELF (NOT PACKAGED).
- 梱包数量：1200個 / リール
NUMBER OF CONNECTORS：1200 PCS/REEL.
- リードテープ長さ LEAD TAPE LENGTH.



- トップテープの剥離強度はIEC60286-3に準拠
TOP TAPE PEELING FORCE IS DEFINED BY IEC60286-3.
- 材料 MATERIAL
キャリアテープ(CARRIER TAPE)：ポリスチレン(POLYSTYRENE)
トップテープ(TOP TAPE)：PET
リール(REEL):ポリスチレン リサイクル材含む (PS)
POLYSTYRENE (PS) RECYCLE MATERIAL CONTAINED

49.4	45.4	20.2	44 ±0.3	505567168*	16
				505567158*	15
				505567148*	14
37.4	33.4	14.2	32 ±0.3	505567138*	13
				505567128*	12
				505567118*	11
				505567108*	10
29.4	25.4	11.5	24 +0.3/-0.1	505567098*	9
				505567088*	8
				505567078*	7
				505567068*	6
				505567058*	5
				505567048*	4
21.4	17.4	7.5	16 +0.3/-0.1	505567038*	3
				505567028*	2
D	C	B	エンボステープ幅 WIDTH OF TAPE A	エンボス梱包 EMBOSSED TAPE PACKAGE	極数 CKT NO.
				オーダー番号 ORDER NO.	

THIS DRAWING CONTAINS INFORMATION THAT IS PROPRIETARY TO MOLEX ELECTRONIC TECHNOLOGIES, LLC AND SHOULD NOT BE USED WITHOUT WRITTEN PERMISSION

REDRAWN EC NO: 168093 DRWN: RWATANABE01 CHK'D: KOMURAKAMI APPR: TKANEKO	2017/11/28 2017/12/04 2017/12/06	GENERAL TOLERANCES (UNLESS SPECIFIED) ANGULAR TOL ± 1.0 °	DIMENSION UNITS: mm SCALE: NTS		
	4 PLACES ± 0.2 3 PLACES ± 0.2 2 PLACES ± 0.2 1 PLACE ± 0.2 0 PLACES ± 0.2	DRWN BY: RWATANABE01 DATE: 2017/11/28	DRWING SIZE: A3 THIRD ANGLE PROJECTION		MICRO-LOCK PLUS 1.25 W/B SINGLE ROW RA SMT EMBOSSED TAPE PKG
	DRAFT WHERE APPLICABLE MUST REMAIN WITHIN DIMENSIONS	CHK'D BY: KOMURAKAMI DATE: 2017/12/04	APPR BY: TKANEKO DATE: 2017/12/06		PRODUCT CUSTOMER DRAWING
		SERIES: 505567 MATERIAL NUMBER: SEE SHEET2 CUSTOMER: GENERAL	DOCUMENT NUMBER: 5055670010-SD DOC TYPE: PSD DOC PART: 000 SHEET NUMBER: 1 OF 2		

E

D


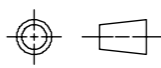
C

B

A

ORANGE	GREEN	BLUE	YELLOW	RED	BLACK	NATURAL (BEIGE)	HSG COLOR
5055671688	5055671686	5055671684	5055671683	5055671682	5055671681	5055671680	16
5055671588	5055671586	5055671584	5055671583	5055671582	5055671581	5055671580	15
5055671488	5055671486	5055671484	5055671483	5055671482	5055671481	5055671480	14
5055671388	5055671386	5055671384	5055671383	5055671382	5055671381	5055671380	13
5055671288	5055671286	5055671284	5055671283	5055671282	5055671281	5055671280	12
5055671188	5055671186	5055671184	5055671183	5055671182	5055671181	5055671180	11
5055671088	5055671086	5055671084	5055671083	5055671082	5055671081	5055671080	10
5055670988	5055670986	5055670984	5055670983	5055670982	5055670981	5055670980	9
5055670888	5055670886	5055670884	5055670883	5055670882	5055670881	5055670880	8
5055670788	5055670786	5055670784	5055670783	5055670782	5055670781	5055670780	7
5055670688	5055670686	5055670684	5055670683	5055670682	5055670681	5055670680	6
5055670588	5055670586	5055670584	5055670583	5055670582	5055670581	5055670580	5
5055670488	5055670486	5055670484	5055670483	5055670482	5055670481	5055670480	4
5055670388	5055670386	5055670384	5055670383	5055670382	5055670381	5055670380	3
5055670288	5055670286	5055670284	5055670283	5055670282	5055670281	5055670280	2
EMBOSSSED TAPE PKG	EMBOSSSED TAPE PKG	EMBOSSSED TAPE PKG	EMBOSSSED TAPE PKG	EMBOSSSED TAPE PKG	EMBOSSSED TAPE PKG	EMBOSSSED TAPE PKG	極数 CKT NO.
ORDER NO.	ORDER NO.	ORDER NO.	ORDER NO.	ORDER NO.	ORDER NO.	ORDER NO.	

THIS DRAWING CONTAINS INFORMATION THAT IS PROPRIETARY TO MOLEX ELECTRONIC TECHNOLOGIES, LLC AND SHOULD NOT BE USED WITHOUT WRITTEN PERMISSION

REDRAWN EC NO: 168093 DRWN: RWATANABE01 CHK'D: KOMURAKAMI APPR: TKANEKO	GENERAL TOLERANCES (UNLESS SPECIFIED) ANGULAR TOL ± 1.0 °		DIMENSION UNITS mm	SCALE NTS	 MICRO-LOCK PLUS 1.25 W/B SINGLE ROW RA SMT EMBOSSSED TAPE PKG			
	4 PLACES ± 0.2	DRWN BY RWATANABE01	DATE 2017/11/28					
	3 PLACES ± 0.2	CHK'D BY KOMURAKAMI	DATE 2017/12/04					
	2 PLACES ± 0.2	APPR BY TKANEKO	DATE 2017/12/06					
	1 PLACE ± 0.2	DRAWING SIZE A3	THIRD ANGLE PROJECTION 					
0 PLACES ± 0.2	DRAFT WHERE APPLICABLE MUST REMAIN WITHIN DIMENSIONS				SERIES 505567	MATERIAL NUMBER SEE TABLE	CUSTOMER GENERAL	
					DOCUMENT NUMBER 5055670010-SD	DOC TYPE PSD	DOC PART 000	SHEET NUMBER 2 OF 2

NOTES

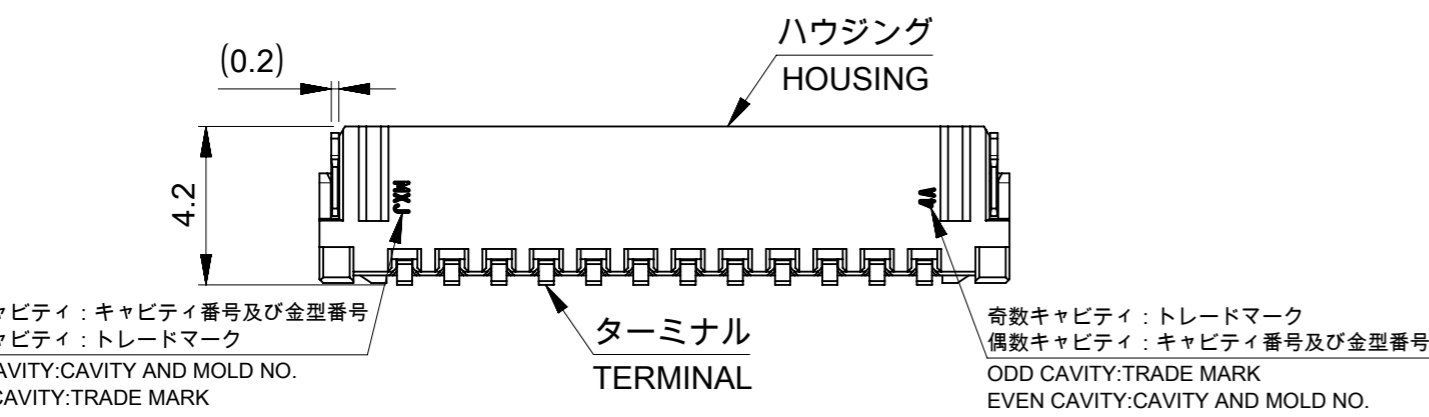
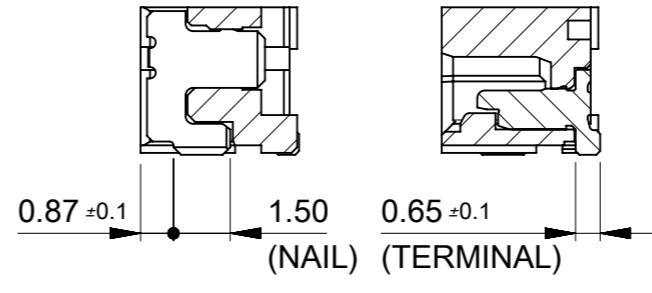
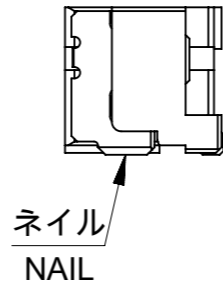
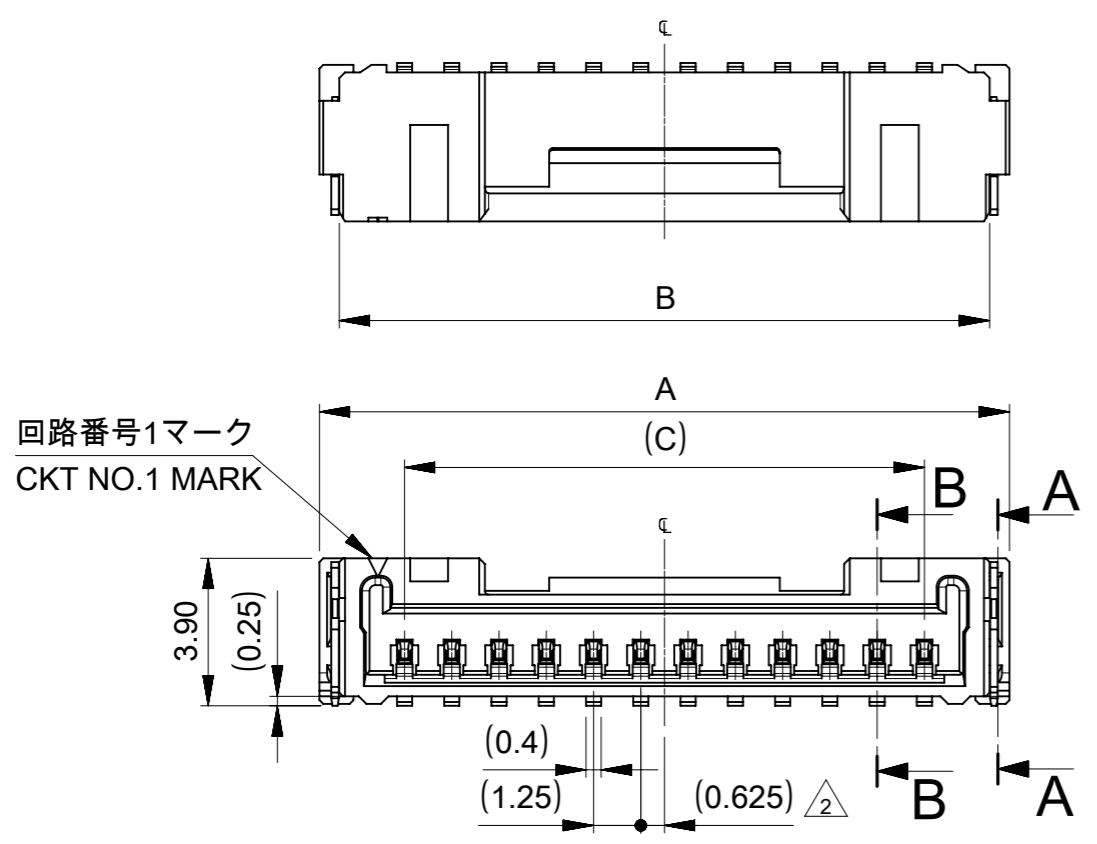
- 1. 嵌合相手 : 505565**0*
MATE WITH: 505565**0*
- △2 偶数極 に適用
APPLY FOR EVEN CKT.
- 3. 製品仕様書 : 5055650002 PS 000
PRODUCT SPECIFICATION:5055650002 PS 000
- 4. オーダー番号と色、極数の関係
RELATION ORDER NUMBER AND COLOR, CKT.

505567**8*

NO.	COLOR
0	NATURAL
1	BLACK
2	RED
3	YELLOW
4	BLUE
6	GREEN
8	ORANGE

極数 色
CIRCUIT NO. COLOR

5. ターミナルとネイルの平坦度は0.1mm以下
TERMINAL AND NAIL COPLANARITY : 0.1mm MAX.

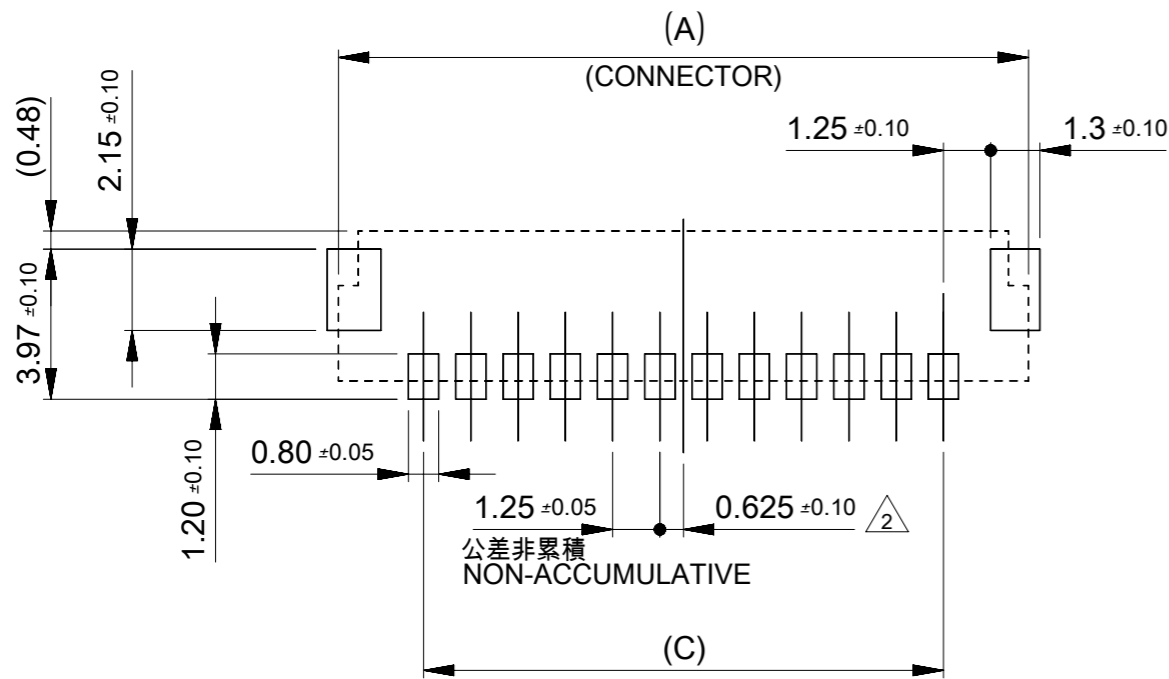


10.7	18.75	22.2	23.25	505567168*	16
10.7	17.5	20.95	22	505567158*	15
10.7	16.25	19.7	20.75	505567148*	14
9.2	15	18.45	19.5	505567138*	13
9.2	13.75	17.2	18.25	505567128*	12
9.2	12.5	15.95	17	505567118*	11
9.2	11.25	14.7	15.75	505567108*	10
6.7	10	13.45	14.5	505567098*	9
6.7	8.75	12.2	13.25	505567088*	8
6.7	7.5	10.95	12	505567078*	7
6.6	6.25	9.7	10.75	505567068*	6
5.35	5	8.45	9.5	505567058*	5
4.1	3.75	7.2	8.25	505567048*	4
2.85	2.5	5.95	7	505567038*	3
1.9	1.25	4.7	5.75	505567028*	2
D	C	B	A	EMBOSSED TAPE PKG	極数
				ORDER NO.	CKT NO.

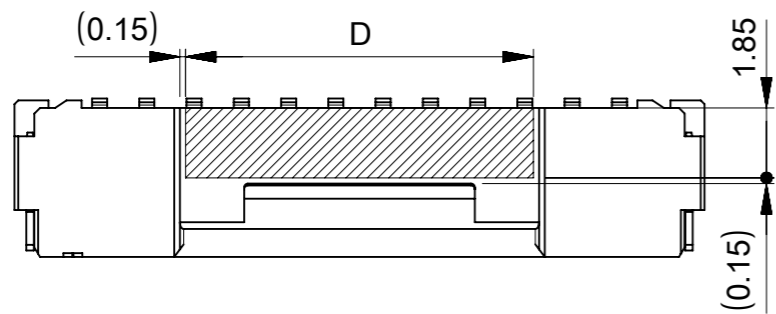
部品 PART	材質 MATERIAL
ハウジング HOUSING	ポリアミド(PA)、ガラス充填、UL94 V-0、色 : SHEET 2参照 POLYAMIDE (PA), GLASS FILLED, UL94 V-0, COLOR: SEE SHEET 2
ターミナル TERMINAL	黄銅 BRASS
	金めっき (接点部) : 0.1 MICRO-METER MIN. AU PLATED (CONTACT)
	ニッケルめっき(下地) : 1.0 MICRO-METER MIN. NICKEL (UNDER-PLATED)
ネイル NAIL	黄銅 BRASS
	錫めっき : 1.0 MICRO-METER MIN. MATTE TIN PLATED
	ニッケルめっき(下地) : 1.0 MICRO-METER MIN. NICKEL (UNDER-PLATED)

THIS DRAWING CONTAINS INFORMATION THAT IS PROPRIETARY TO MOLEX ELECTRONIC TECHNOLOGIES, LLC AND SHOULD NOT BE USED WITHOUT WRITTEN PERMISSION

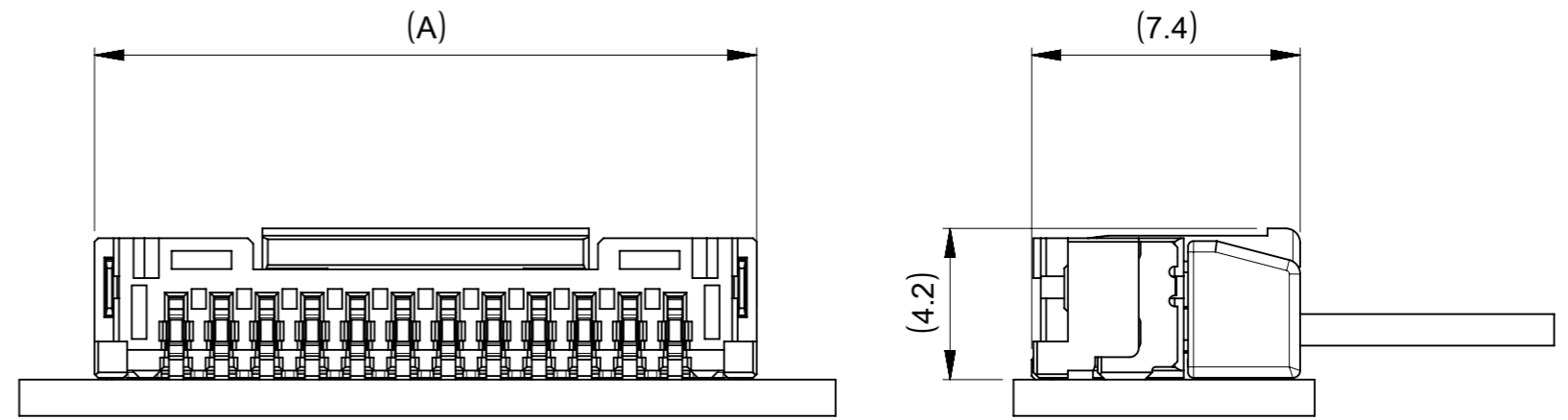
REDRAWN EC NO: 168093 DRWN: RWATANABE01 CHK'D: KOMURAKAMI APPR: TKANEKO	2017/11/29 2017/12/04 2017/12/06	GENERAL TOLERANCES (UNLESS SPECIFIED) ANGULAR TOL ± 1.0 °	DIMENSION UNITS: mm SCALE: 5:1		
	4 PLACES ± 0.2 3 PLACES ± 0.2 2 PLACES ± 0.2 1 PLACE ± 0.2 0 PLACES ± 0.2	DRWN BY: RWATANABE01 DATE: 2017/11/29	CHK'D BY: KOMURAKAMI DATE: 2017/12/04		MICRO-LOCK PLUS 1.25 W/B SINGLE ROW RA SMT PLUG ASSY
	DRAFT WHERE APPLICABLE MUST REMAIN WITHIN DIMENSIONS	APPR BY: TKANEKO DATE: 2017/12/06	DRAWING SIZE: A3 THIRD ANGLE PROJECTION		PRODUCT CUSTOMER DRAWING
		SERIES: 505567 MATERIAL NUMBER: SEE SHEET2 CUSTOMER: GENERAL	DOCUMENT NUMBER: 5055670011-SD DOC TYPE: PSD DOC PART: 000 SHEET NUMBER: 1 OF 2		



推奨基板レイアウト
 RECOMMENDED PCB PATTERN LAYOUT
 (参考:メタルマスク厚さ 150μm, マスク開口率 100%)
 (REFERENCE: METAL MASK THICKNESS 150μm, APERTURE RASIO 100%)



吸着範囲
 VACUUM AREA



嵌合状態図
 MATED CONNECTORS

ORANGE	GREEN	BLUE	YELLOW	RED	BLACK	NATURAL (BEIGE)	HOUSING COLOR
5055671688	5055671686	5055671684	5055671683	5055671682	5055671681	5055671680	16
5055671588	5055671586	5055671584	5055671583	5055671582	5055671581	5055671580	15
5055671488	5055671486	5055671484	5055671483	5055671482	5055671481	5055671480	14
5055671388	5055671386	5055671384	5055671383	5055671382	5055671381	5055671380	13
5055671288	5055671286	5055671284	5055671283	5055671282	5055671281	5055671280	12
5055671188	5055671186	5055671184	5055671183	5055671182	5055671181	5055671180	11
5055671088	5055671086	5055671084	5055671083	5055671082	5055671081	5055671080	10
5055670988	5055670986	5055670984	5055670983	5055670982	5055670981	5055670980	9
5055670888	5055670886	5055670884	5055670883	5055670882	5055670881	5055670880	8
5055670788	5055670786	5055670784	5055670783	5055670782	5055670781	5055670780	7
5055670688	5055670686	5055670684	5055670683	5055670682	5055670681	5055670680	6
5055670588	5055670586	5055670584	5055670583	5055670582	5055670581	5055670580	5
5055670488	5055670486	5055670484	5055670483	5055670482	5055670481	5055670480	4
5055670388	5055670386	5055670384	5055670383	5055670382	5055670381	5055670380	3
5055670288	5055670286	5055670284	5055670283	5055670282	5055670281	5055670280	2
EMBOSSED TAPE PKG	EMBOSSED TAPE PKG	EMBOSSED TAPE PKG	EMBOSSED TAPE PKG	EMBOSSED TAPE PKG	EMBOSSED TAPE PKG	EMBOSSED TAPE PKG	極数 CKT NO.
ORDER NO.	ORDER NO.	ORDER NO.	ORDER NO.	ORDER NO.	ORDER NO.	ORDER NO.	

THIS DRAWING CONTAINS INFORMATION THAT IS PROPRIETARY TO MOLEX ELECTRONIC TECHNOLOGIES, LLC AND SHOULD NOT BE USED WITHOUT WRITTEN PERMISSION

REDRAWN EC NO: 168093 DRWN: RWATANABE01 CHK'D: KOMURAKAMI APPR: TKANEKO	2017/11/29 2017/12/04 2017/12/06	GENERAL TOLERANCES (UNLESS SPECIFIED) ANGULAR TOL ± 1.0 ° 4 PLACES ± 0.2 3 PLACES ± 0.2 2 PLACES ± 0.2 1 PLACE ± 0.2 0 PLACES ± 0.2	DIMENSION UNITS: mm SCALE: 5:1 DRWN BY: RWATANABE01 DATE: 2017/11/29 CHK'D BY: KOMURAKAMI DATE: 2017/12/04 APPR BY: TKANEKO DATE: 2017/12/06	 MICRO-LOCK PLUS 1.25 W/B SINGLE ROW RA SMT PLUG ASSY PRODUCT CUSTOMER DRAWING	
	DRAFT WHERE APPLICABLE MUST REMAIN WITHIN DIMENSIONS		DRAWING SIZE: A3 THIRD ANGLE PROJECTION		SERIES: 505567 MATERIAL NUMBER: SEE TABLE CUSTOMER: GENERAL
			DOCUMENT NUMBER: 5055670011-SD DOC TYPE: PSD DOC PART: 000 SHEET NUMBER: 2 OF 2		