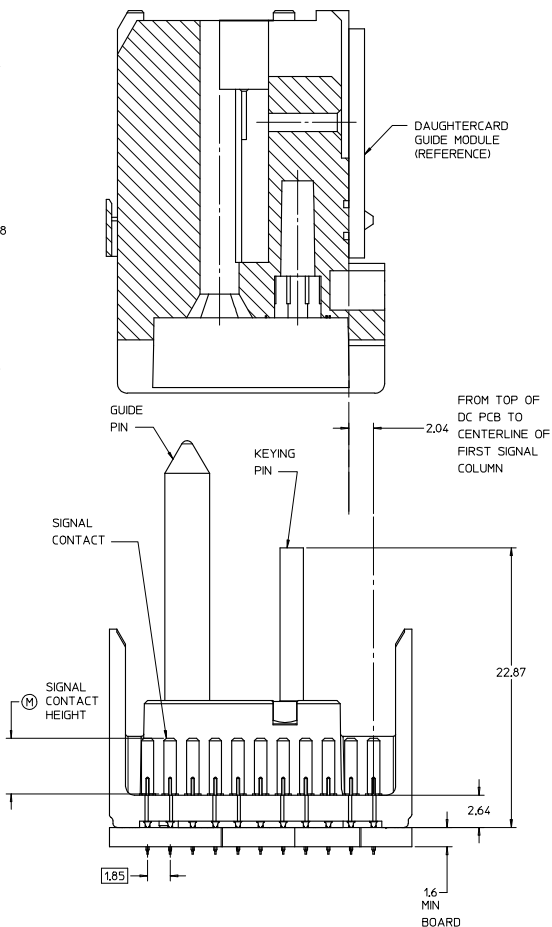


THE PRIMARY CARTON WITH A LABEL STATING "ELV AND RoHS COMPLAINT" IS LEAD FREE. CARTONS WITHOUT THIS LABEL MAY CONTAIN LEAD.

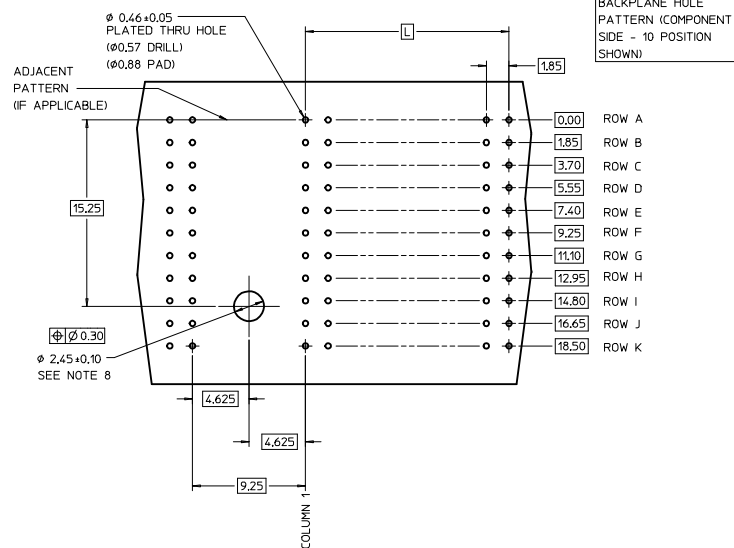
- NOTES:**
1. MATERIAL: HOUSING - LIQUID CRYSTAL POLYMER (LCP) GLASS-FILLED, UL 94V-0. COLOR - GRAY. SIGNAL CONTACT - HIGH PERFORMANCE COPPER ALLOY.
 2. FINISHES: SELECTIVE GOLD (Au) ON CONTACT AREA, SELECTIVE MATTE TIN (Sn) ON PCB TAILS, NICKEL (Ni) OVERALL.
 3. THIS PART CONFORMS TO MOLEX PRODUCT SPECIFICATION PS-75221-999.
 4. FOR MIXED CONTACT MATING LENGTHS CONSULT MOLEX FOR AVAILABILITY.
 5. 10 COLUMN 4 PAIR L-SERIES SHOWN FOR ILLUSTRATION PURPOSES ONLY. FOR SPECIFIC PART NUMBER AND MATING INFORMATION PLEASE REFER TO CHART.
 6. PACKAGE PER PK-70873-563.
 7. MARK PART NUMBER AND DATE CODE APPROXIMATELY WHERE SHOWN.
 8. OPTIONAL HOLE LOCATION FOR GROUNDED GUIDE PIN OR ADDITIONAL GUIDE PIN SUPPORT. FOR GROUNDED GUIDE PIN, HOLE TO BE PLATED, DRILL SIZE #250. PAD SIZE #550.
 9. THESE PARTS CONFORM TO MOLEX COSMETIC SPECIFICATION PS-45499-002 CLASS B.
 10. MAPS (MOLEX ADVANCED PLATING SYSTEM).



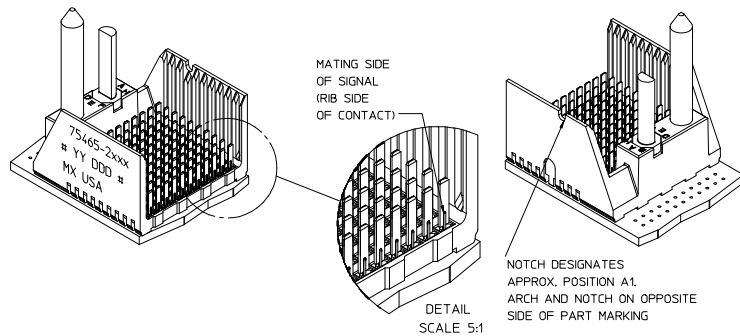
75465-2***		PIN LENGTH DIM 'M'	GOLD (Au) THICKNESS micrometers
COLUMN	KEYING POSITION	0=3.55 mm	
21-10 COL	NONE = 0	1=4.55 mm	0.25 (MAPS)
22-25 COL	1 = A	2=5.55 mm	
25= 5 COL	2 = B	3=3.55 mm	0.76
	ETC..	4=4.55 mm	
		5=5.55 mm	
		7=3.55 mm	1.27
		8=4.55 mm	
		9=5.55 mm	

ASSY PART NO.	K	L	P	TOTAL NO. OF CONTACTS
75465-21**	9	16.65	24.78	110
75465-22**	24	44.40	52.53	275
75465-25**	4	7.40	15.53	55

LEAD-FREE PLATING



P/N	---0*	---1*	---2*	---3*	---4*	---5*	---6*	---7*	---8*
75465-()	0	A	B	C	D	E	F	G	H
KEYING PIN ORIENTATION									



REV TO LEAD-FREE IEC NO: LCP2013-0690 DRAWINGS 2012/09/06 CHYKOWITZ 2012/09/07 APPROVALS MILLER 2012/12/05	QUALITY SYMBOLS ∇=0 ∇=0 ∇=0	GENERAL TOLERANCES (UNLESS SPECIFIED) DIMENSION STYLE MM ONLY SCALE 5:1 DESIGN UNITS METRIC THIRD ANGLE PROJECTION	DRAWN BY DATE NMARTIN 2004/12/17 CHECKED BY DATE SREED 2004/12/17 APPROVED BY DATE CBIXLER 2004/12/17	TITLE GBX 4-PAIR L-SERIES LF LEFT END BACKPLANE SALES ASSEMBLY DRAWING molex MATERIAL NO. SD-75465-210 DOCUMENT NO. SD-75465-210 SHEET NO. 1 OF 1	
	DIMENSION STYLE MM ONLY SCALE 5:1 DESIGN UNITS METRIC THIRD ANGLE PROJECTION	DIMENSIONS 4 PLACES ±--- ±--- 3 PLACES ±--- ±--- 2 PLACES ±0.25 ±--- 1 PLACE ±0.38 ±--- 0 PLACE ± ±	ANGULAR ±1/2° DRAFT WHERE APPLICABLE MUST REMAIN WITHIN DIMENSIONS	DATE 2004/12/17	DATE 2004/12/17
	DIMENSIONS 4 PLACES ±--- ±--- 3 PLACES ±--- ±--- 2 PLACES ±0.25 ±--- 1 PLACE ±0.38 ±--- 0 PLACE ± ±	ANGULAR ±1/2° DRAFT WHERE APPLICABLE MUST REMAIN WITHIN DIMENSIONS	DATE 2004/12/17	DATE 2004/12/17	DATE 2004/12/17
	DIMENSIONS 4 PLACES ±--- ±--- 3 PLACES ±--- ±--- 2 PLACES ±0.25 ±--- 1 PLACE ±0.38 ±--- 0 PLACE ± ±	ANGULAR ±1/2° DRAFT WHERE APPLICABLE MUST REMAIN WITHIN DIMENSIONS	DATE 2004/12/17	DATE 2004/12/17	DATE 2004/12/17