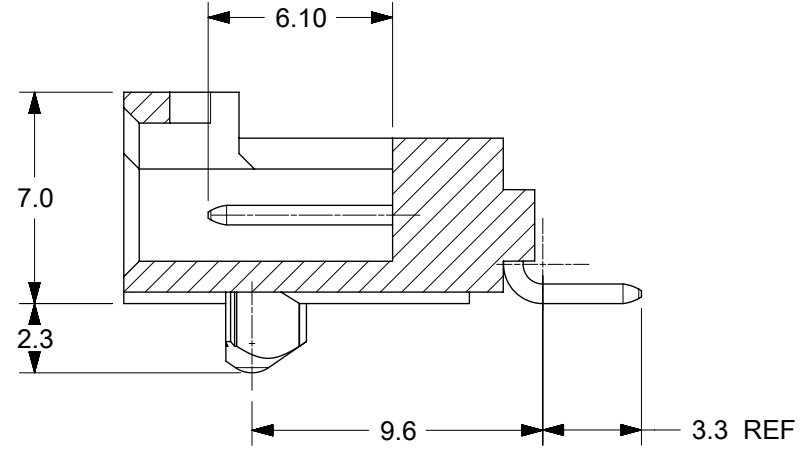
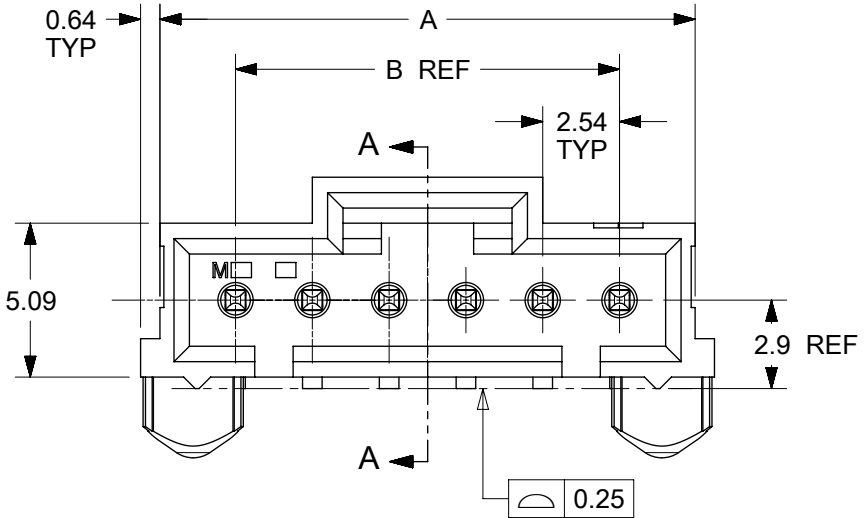
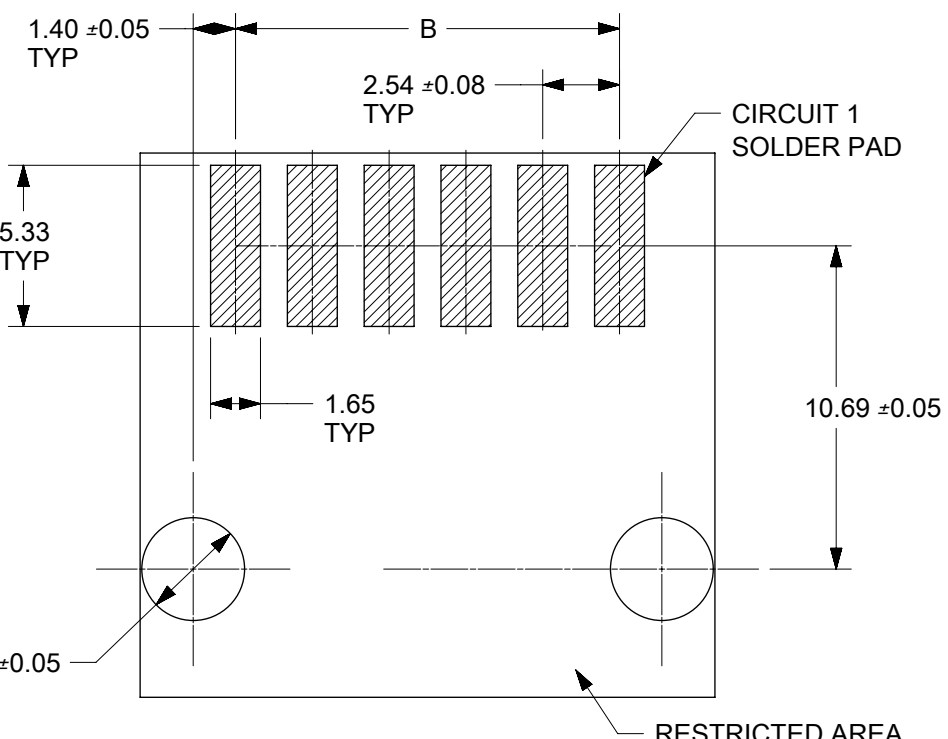


2 CIRCUIT PART

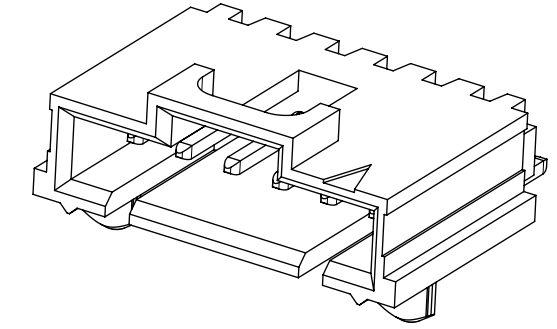
- NOTES:
- HOUSING MATERIAL: LCP, UL94V-0, BLACK
TERMINAL MATERIAL: BRASS
 - FINISH:
MATTE TIN = OVERALL MATTE TIN: 2.54 MICROMETERS MIN
0.38 GOLD = SELECT GOLD IN CONTACT AREA: 0.38 MICROMETERS MIN
SELECT MATTE TIN IN PC TAIL: 2.0 MICROMETERS MIN
WITH OVERALL NICKEL UNDERPLATE
0.75 GOLD = SELECT GOLD IN CONTACT AREA: 0.75 MICROMETERS MIN
SELECT MATTE TIN IN PC TAIL: 2.0 MICROMETERS MIN
WITH OVERALL NICKEL UNDERPLATE
 - PRODUCT SPECIFICATION: 1719710000-PS AND PS-70400
 - PACKAGING SPECIFICATION: SEE CHART
 - HEADER MATES WITH: OPTION "G" 70400 AND 70430 SERIES
SL CONNECTORS
 - COSMETIC SPECIFICATION: PS-45499-002 CLASS B
 - SOLDERABILITY PER SMES-152 LEAD FREE ALLOY



SECTION A-A



PCB LAYOUT: COMPONENT SIDE
RECOMMENDED PCB THICKNESS: 1.57



6 CIRCUIT PART SHOWN SEE SHEET 2 FOR OTHER OPTIONS

CKTS	A	B
2	7.54	2.54
3	10.08	5.08
4	12.62	7.62
5	15.16	10.16
6	17.70	12.70
7	20.24	15.24
8	22.78	17.78
9	25.32	20.32
10	27.86	22.86
11	30.40	25.40
12	32.94	27.94
13	35.48	30.48
14	38.02	33.02
15	40.56	35.56
16	43.10	38.10
17	45.64	40.64
18	48.18	43.18
19	50.72	45.72
20	53.26	48.26
21	55.80	50.80
22	58.34	53.34
23	60.88	55.88
24	63.42	58.42
25	65.96	60.96

THIS DRAWING CONTAINS INFORMATION THAT IS PROPRIETARY TO MOLEX ELECTRONIC TECHNOLOGIES, LLC AND SHOULD NOT BE USED WITHOUT WRITTEN PERMISSION													
SYMBOLS		DIMENSION UNITS	SCALE	CURRENT REV DESC: REV PER QUAL									
▽ = 0		mm	5:1	molex SL RTAN HEADER ASSEMBLY SMT WITH PEGS									
▽ = 0		GENERAL TOLERANCES (UNLESS SPECIFIED)											
▽ = 0		ANGULAR TOL ± °		EC NO: 174683				2018/04/04					
▽ = 0		4 PLACES ±		DRWN: KSAMIEC				2018/04/09					
▽ = 0		3 PLACES ±		CHK'D: MKIPPER				2018/04/11					
▽ = 0		2 PLACES ± 0.25		APPR: FSMITH				PRODUCT CUSTOMER DRAWING					
▽ = 0		1 PLACE ± 0.38		INITIAL REVISION:				DOCUMENT NUMBER					
▽ = 0		0 PLACES ± 0.0		DRWN: KSAMIEC				1719770000-SD		DOC TYPE		DOC PART	
▽ = 0		DRAFT WHERE APPLICABLE MUST REMAIN WITHIN DIMENSIONS		THIRD ANGLE PROJECTION		DRAWING		SERIES		MATERIAL NUMBER		CUSTOMER	
▽ = 0				B-SIZE		171977		SEE CHART		GENERAL MARKET		SHEET NUMBER	
▽ = 0												1 OF 3	

ALL PARTS ON THIS PAGE ARE PACKAGED IN TUBES PER 1719760000-PK

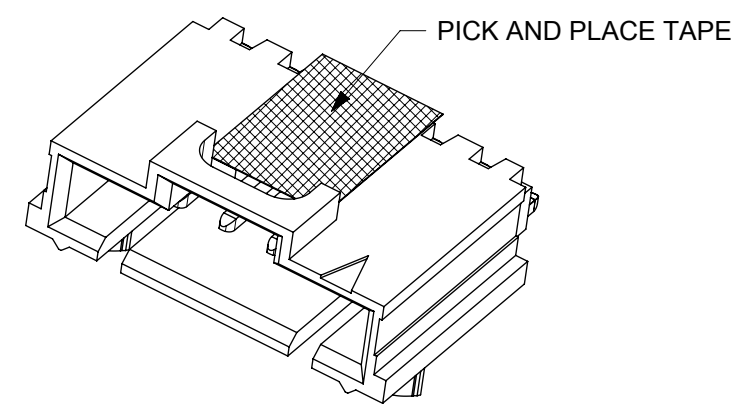
	TIN	0.38 GOLD	0.75 GOLD
F	CIRCUIT SIZE	MATERIAL NUMBER	MATERIAL NUMBER
	2	171977-0002	171977-0102
	3	171977-0003	171977-0103
	4	171977-0004	171977-0104
	5	171977-0005	171977-0105
	6	171977-0006	171977-0106
	7	171977-0007	171977-0107
E	8	171977-0008	171977-0108
	9	171977-0009	171977-0109
	10	171977-0010	171977-0110
	11	171977-0011	171977-0111
	12	171977-0012	171977-0112
	13	171977-0013	171977-0113
	14	171977-0014	171977-0114
	15	171977-0015	171977-0115
D	16	171977-0016	171977-0116
	17	171977-0017	171977-0117
	18	171977-0018	171977-0118
	19	171977-0019	171977-0119
	20	171977-0020	171977-0120
	21	171977-0021	171977-0121
	22	171977-0022	171977-0122
	23	171977-0023	171977-0123
	24	171977-0024	171977-0124
C	25	171977-0025	171977-0125

SYMBOLS	THIS DRAWING CONTAINS INFORMATION THAT IS PROPRIETARY TO MOLEX ELECTRONIC TECHNOLOGIES, LLC AND SHOULD NOT BE USED WITHOUT WRITTEN PERMISSION											
	DIMENSION UNITS		SCALE		CURRENT REV DESC: REV PER QUAL					molex		
	mm		1:1									
	= 0		GENERAL TOLERANCES (UNLESS SPECIFIED)					EC NO: 174683 DRWN: KSAMIEC 2018/04/04 CHK'D: MKIPPER 2018/04/09 APPR: FSMITH 2018/04/11				
	= 0		ANGULAR TOL ± °									
	= 0		4 PLACES ±					PRODUCT CUSTOMER DRAWING				
	= 0		3 PLACES ±									
	= 0		2 PLACES ± 0.25					INITIAL REVISION: DRWN: KSAMIEC 2016/09/02 APPR: FSMITH 2016/10/20				
	= 0		1 PLACE ± 0.38									
	= 0		0 PLACES ± 0.0					DOCUMENT NUMBER		DOC TYPE	DOC PART	REVISION
= 0		DRAFT WHERE APPLICABLE MUST REMAIN WITHIN DIMENSIONS		THIRD ANGLE PROJECTION	DRAWING	SERIES	MATERIAL NUMBER		CUSTOMER	SHEET NUMBER		
= 0					B-SIZE	171977	1719770000-SD		PSD	000	A6	
							SEE CHART		GENERAL MARKET		2 OF 3	

DOCUMENT STATUS	P1	RELEASE DATE	2018/04/11	17:48:00
-----------------	----	--------------	------------	----------

	10	9	8
	TIN	0.38 GOLD	0.75 GOLD
CIRCUIT SIZE	MATERIAL NUMBER	MATERIAL NUMBER	MATERIAL NUMBER
F	2	171977-1002	171977-1102
	3	171977-1003	171977-1103
	4	171977-1004	171977-1104
	5	171977-1005	171977-1105
	6	171977-1006	171977-1106
	7	171977-1007	171977-1107
	8	171977-1008	171977-1108
	9	171977-1009	171977-1109
E	10	171977-1010	171977-1110
	11	171977-1011	171977-1111
	12	171977-1012	171977-1112
	13	171977-1013	171977-1113
	14	171977-1014	171977-1114
	15	171977-1015	171977-1115
	16	171977-1016	171977-1116
	17	171977-1017	171977-1117
	18	171977-1018	171977-1118
	19	171977-1019	171977-1119
D	20	171977-1020	171977-1120
	21	171977-1021	171977-1121
	22	171977-1022	171977-1122
	23	171977-1023	171977-1123
	24	171977-1024	171977-1124
	25	171977-1025	171977-1125

ALL PARTS ON THIS PAGE ARE TAPE AND REEL PACKED WITH PICK AND PLACE CAPS PER 1719770000-PK



SYMBOLS	THIS DRAWING CONTAINS INFORMATION THAT IS PROPRIETARY TO MOLEX ELECTRONIC TECHNOLOGIES, LLC AND SHOULD NOT BE USED WITHOUT WRITTEN PERMISSION													
	DIMENSION UNITS		SCALE		CURRENT REV DESC: REV PER QUAL									
	mm		3:1		molex SL RTAN HEADER ASSEMBLY SMT WITH PEGS PRODUCT CUSTOMER DRAWING									
	GENERAL TOLERANCES (UNLESS SPECIFIED)										EC NO: 174683		2018/04/04	
	ANGULAR TOL ± °										DRWN: KSAMIEC		2018/04/09	
	4 PLACES ±		3 PLACES ±		APPR: FSMITH		2018/04/11		DOCUMENT NUMBER					
	2 PLACES ± 0.25		1 PLACE ± 0.38		INITIAL REVISION:		2016/09/02		1719770000-SD					
	0 PLACES ± 0.0		DRAFT WHERE APPLICABLE MUST REMAIN WITHIN DIMENSIONS		THIRD ANGLE PROJECTION		DRAWING		SERIES					
	B-SIZE		171977		MATERIAL NUMBER		CUSTOMER		SHEET NUMBER					
	SEE CHART		GENERAL MARKET		3 OF 3									

DOCUMENT STATUS	P1	RELEASE DATE	2018/04/11	17:48:00
-----------------	----	--------------	------------	----------