

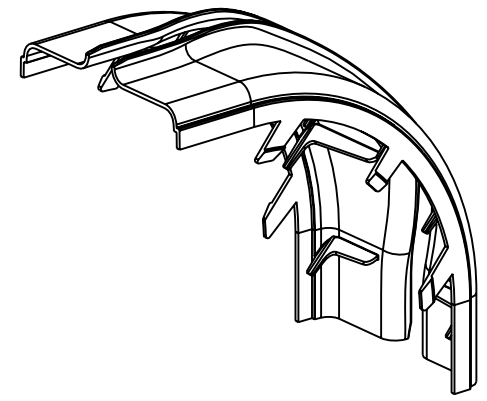
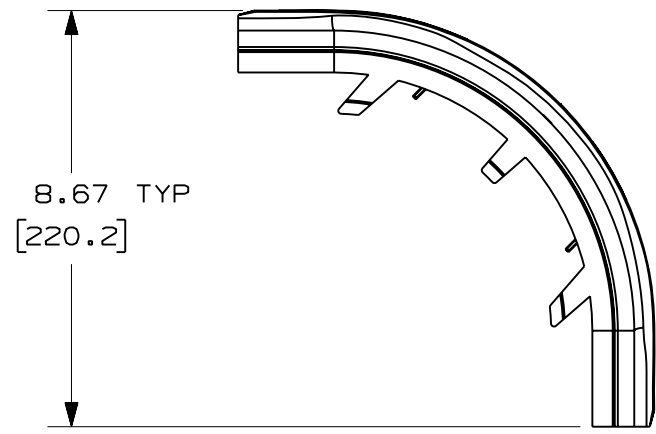
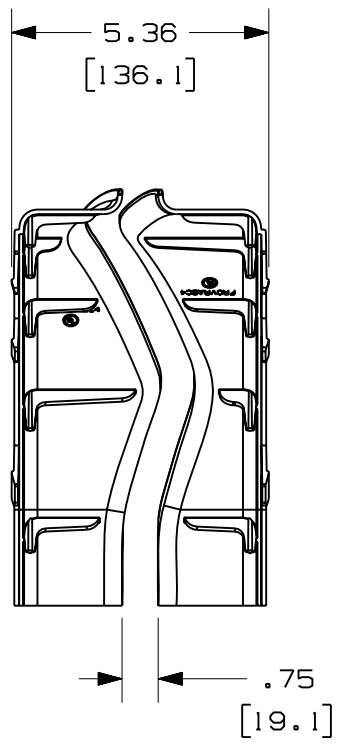


PANDUIT PART NUMBER	WEIGHT
FROVRASC4	0.40 LB/EACH (182g/EACH)



△ NOTES:

1. SEE CURRENT CATALOG FOR ADDITIONAL PART SUFFIXES TO INDICATE COLOR AND/OR PACKAGE QUANTITY.
2. THE FIBERRUNNER 4x4 OUTSIDE VERTICAL RIGHT ANGLE SPLIT COVER REQUIRES NO TOOLS FOR INSTALLATION AND/OR REMOVAL. THE SPLIT COVER CREATES A 3/4" (19.1) RADIUS OPENING TO ALLOW FOR NEW CABLES TO BE ADDED WITHOUT THE NEED FOR REMOVING THE COVERS.
3. DIMENSIONS IN PARENTHESES ARE IN METRIC.



ENG. REF.: D37847DA_DC_FROVRASC4_01.prt

CAD FILENAME/LAYERS **△ D** FROVRASC4.pdf

REV	DATE	BY	CHK	DESCRIPTION	ECN	R	CUST	SUP	GMBH
-	-----	---	---	F. REVISED PART WEIGHT	-----	--	--		
-	-----	---	---	E. REVISED GENERAL NOTES D. REVISED CAD FILENAME	-----	--	--		
2	7-10-06	DTP	RN	C. REVISED DRAWING TITLE B. REVISED AND REDRAWN	37847-62	RN	RN		

PANDUIT CORP		TINLEY PARK, ILLINOIS	
FIBERRUNNER 4x4 OUTSIDE VERTICAL RIGHT ANGLE SPLIT COVER (FROVRASC4) △ C CUSTOMER DRAWING			
UNLESS OTHERWISE SPECIFIED, DIMENSIONAL TOLERANCES ARE: (.X) ± (.XXX) ± (.XX) ± .03 (.8) ANGLES ±		UNLESS OTHERWISE SPECIFIED, ALL DIMENSIONS ARE GIVEN IN INCHES, THIRD ANGLE PROJECTION.	
DRAWN BY JHNU	MAT'L: ABS	SCALE NONE	DWG A
DATE 7-16-01		DRAWING NO. 37847-62	SIZE A
CHK'D LD			