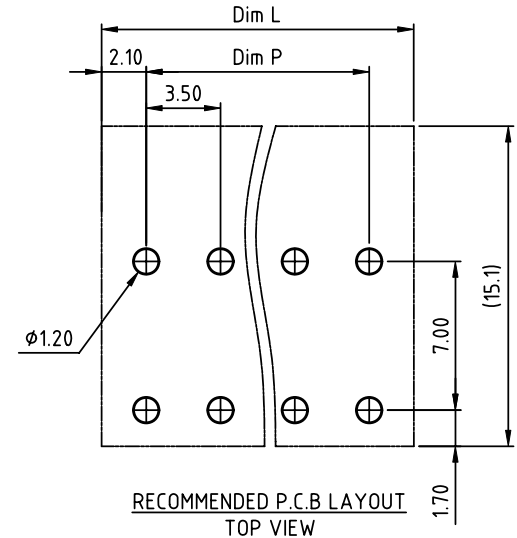
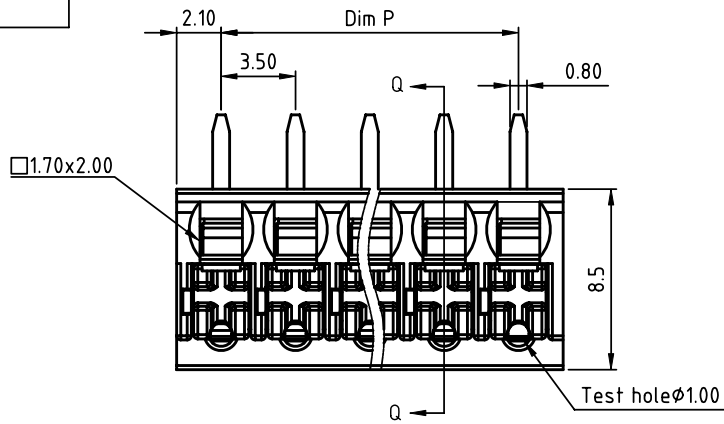
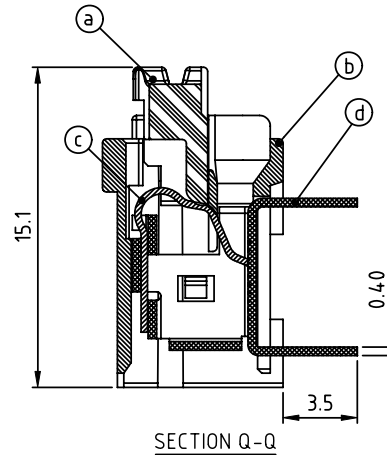
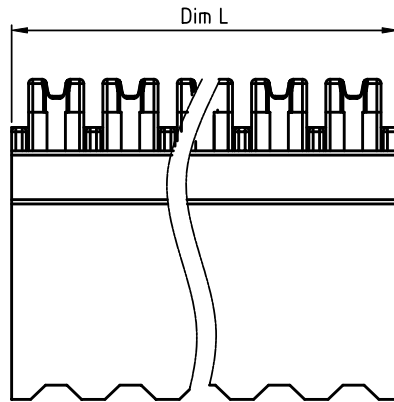
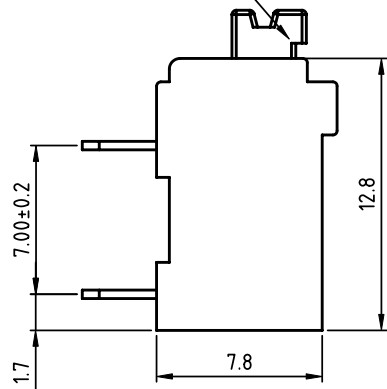


PRODUCT NUMBER	PITCH
NMxx100100J0G	3.50mm



The color of lever is consistent with body's



Material:

- Item (a) Lever: Thermoplastic (UL94V-0)
- Item (b) Terminal housing: Thermoplastic (UL94V-0)
- Item (c) Spring clamp: Stainless steel
- Item (d) Solder Pin: Brass, Tin plated

Electrical:

- Voltage rating: 300 V
- Current rating (SOL): 7 A
- Current rating (STR): 10 A
- Wire range:
- Solid wire (AWG): 18-24
- Stranded wire (AWG): 16-22
- Wire strip length: 12-13 mm
- Withstanding Voltage: 1.6KV
- Operating temperature: -40°C to +110°C
- Reflow Soldering temperature: 260°C/10 Sec max
- Safety Approval:

N=Number of poles
 Dim L=N×3.5+0.70
 Dim P=(N-1)×3.5

Poles	Tolerance
2-6p	±0.15
7-12p	±0.20
13-18p	±0.30
19-24p	±0.40

PART NO.: **NM xx 10 0 1 00J0 G**

End stackable
 No. of poles
 02 2 poles
 03 3 poles

 24 24 poles

RoHS compliant
 (lead<4%)
 In copper Alloy

mat'l. code		surface ASME Y14.5 ✓	tolerance ASME Y14.5	projection	product family
ltr ecn no dr date		tolerances unless otherwise specified			TERMINAL BLOCK
angles		X.±0.5		MM	title
X'±1"		X.X±0.3			TERMINAL BLOCK
dr		X.XX±0.1		scale	SPRING CLAMP, 180D WIRE INLET, THR
enr		EVIN ZHONG 060614			dwg no
chr		HANKE FENG 060614			sheet 1 of 1
appd		SHI JUN 060614			size
sheet index		revision sheet	A 1		NMxx100100J0G A4
					type CUSTOMER Drawing