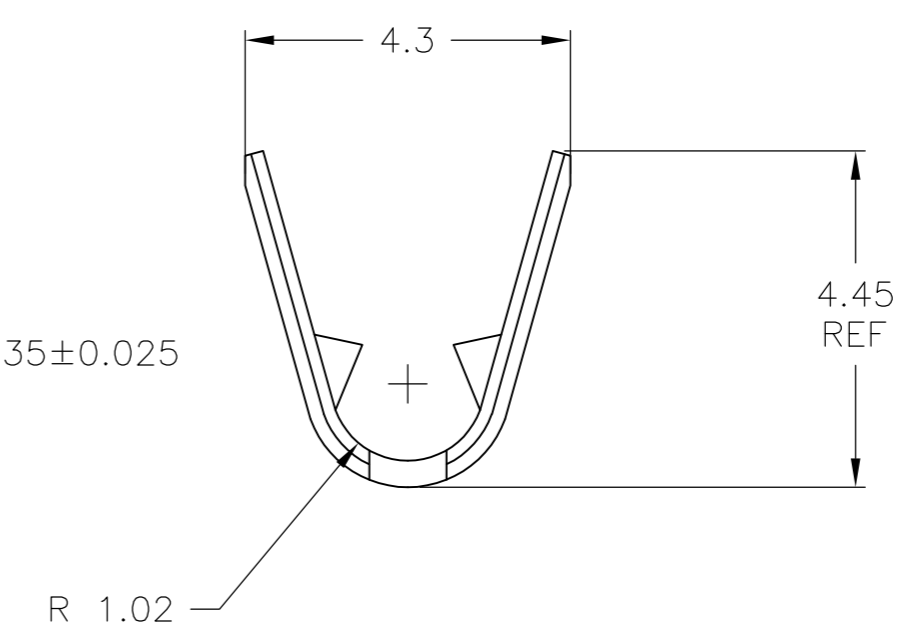
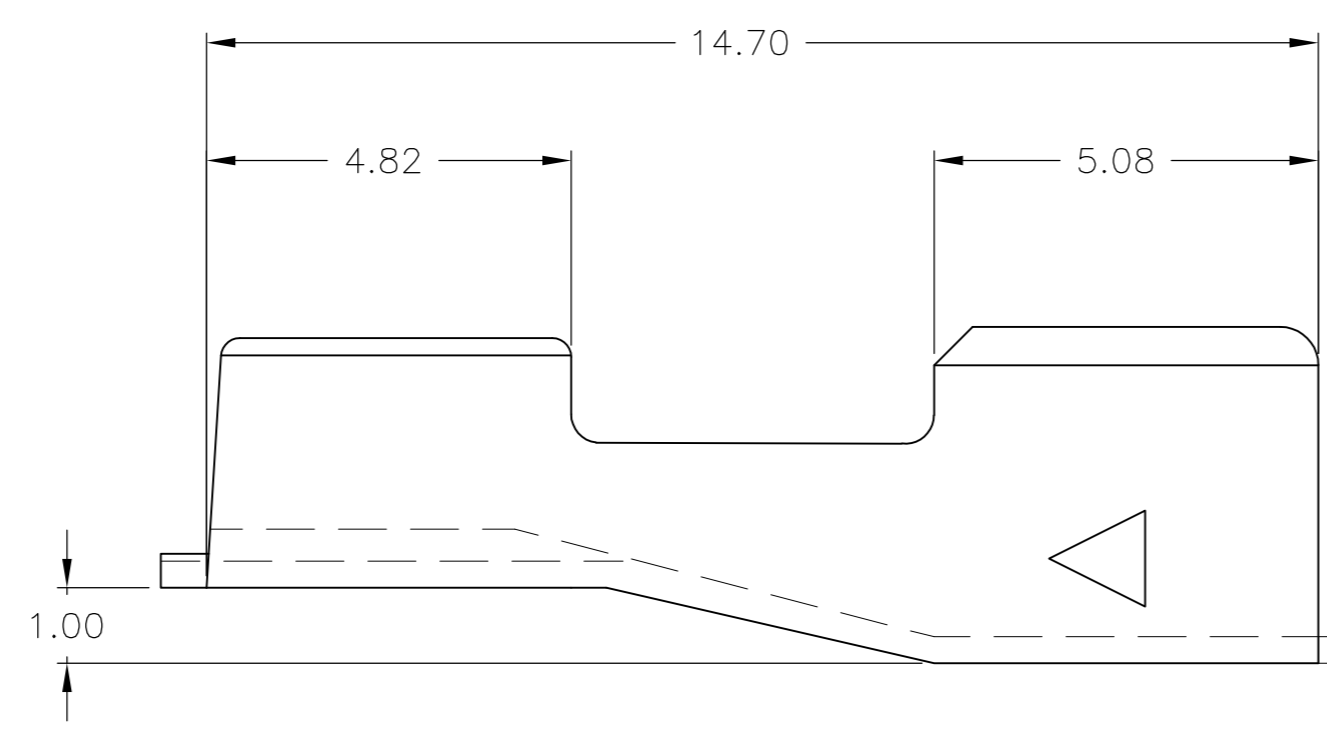
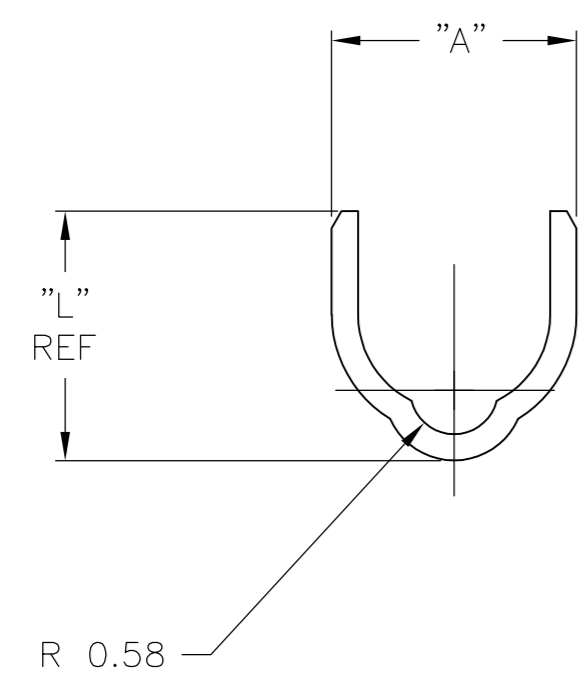
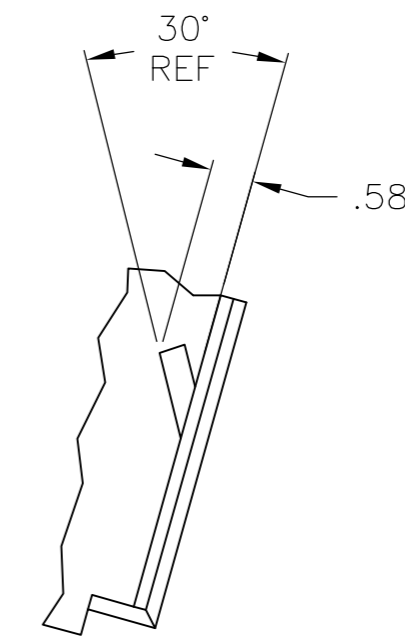
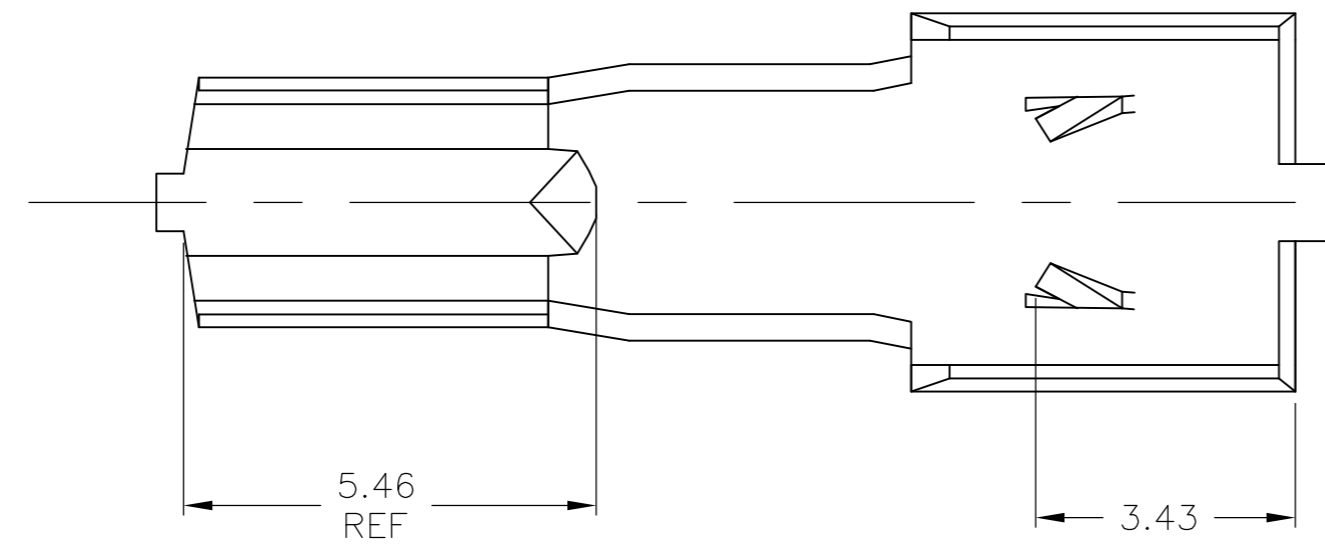


THIS DRAWING IS UNPUBLISHED. RELEASED FOR PUBLICATION
 © COPYRIGHT BY TYCO ELECTRONICS CORPORATION. ALL RIGHTS RESERVED.

LOC		DIST		REVISIONS			
P	LTR	DESCRIPTION		DATE	DWN	APVD	
	E	REV PER 0G3A-0696-03		04NOV03	JR	GP	
	E1	REVISED PER ECO-10-000443		18JAN10	KK	HMR	
	E2	REVISED PER ECR-12-021718		18DEC12	F.M	YHM	

- 1 INSULATED HEATER WIRE: #18-16 AWG.
HEATER WIRE CORE DIA: 1.02 MAX
- 2 REF CRIMP INFO: WIRE BBL .090, F TYPE
INSULATION BBL .120, F TYPE
- ③ TRAVERSE WINDING ON METAL REEL.
- ④ IN-LINE WINDING ON A CARDBOARD REEL
- ⑤ OBSOLETE PARTS: OBSOLETE CIS STREAMLINING PER D.RENAUD/D.SINISI



PCS/REEL	"L"	"A"	NOTES	STD. WIRE SIZE	FINISH	PART NO.
7,500	4.44	3.8	③	#14-12 AWG	PRE-TIN	1438246-6
5,000	4.44	3.8	④	#14-12 AWG	-	1438246-5
5,000	3.18	3.3	④	#18-16 AWG	-	1438246-4
7,500	4.44	3.8	③	#14-12 AWG	-	1438246-3
5,000	3.18	3.3	④	#18-16 AWG	PRE-TIN	1438246-2
12,500	3.18	3.3	③	#18-16 AWG	-	1438246-1

THIS DRAWING IS A CONTROLLED DOCUMENT.

DWN	B.P	21MAY2002	Tyco Electronics Corporation Harrisburg, PA 17105
CHK	F.M	21MAY02	
APVD	Y.H.M	21MAY02	
PRODUCT SPEC			
APPLICATION SPEC			NAME
DIMENSIONS: MM TOLERANCES UNLESS OTHERWISE SPECIFIED: 0 PLC ± - 1 PLC ± - 2 PLC ± 0.35 3 PLC ± - 4 PLC ± - ANGLES ± -			SPLICE, BUTT, HEATER WIRE
MATERIAL	081M BRASS	FINISH	SEE TABLE
WEIGHT - CUSTOMER DRAWING			SIZE A2 CAGE CODE 00779 DRAWING NO C=1438246 RESTRICTED TO -
SCALE 10:1			SHEET 1 OF 1
			REV E2