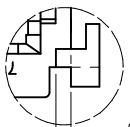


CKT. SIZE	ENG. NO.	EDP. NO.	DIM. 'A' REF.	DIM. 'B'
2	30068-2	15-97-6021	----	.467 (11.86)
4	30068-4	15-97-6041	.165 (4.20)	.467 (11.86)
6	30068-6	15-97-6061	.331 (8.40)	.633 (16.08)
8	30068-8	15-97-6081	.496 (12.60)	.798 (20.27)
10	30068-10	15-97-6101	.661 (16.80)	.963 (24.46)
14	30068-14	NOT TOOLED	.992 (25.20)	1.294 (32.87)
16	30068-16	15-97-6161	1.157 (29.40)	1.459 (37.06)

SEE SHT. 2 FOR 18 THRU 24 CKT'S.

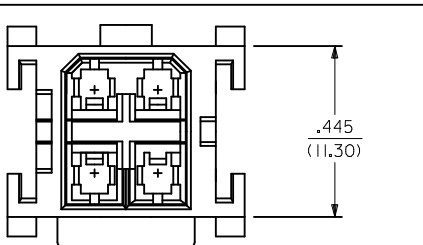
**LEGEND:**

30068 - \*  
CIRCUIT SIZE (2-24)



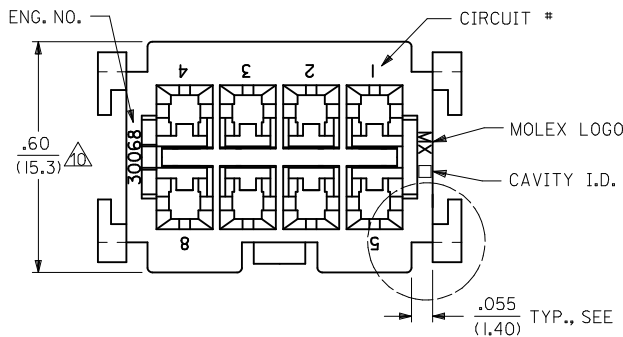
.04  
(1.0) ON 6 & 16 CKT. PARTS ONLY.

**VIEW 'A'**



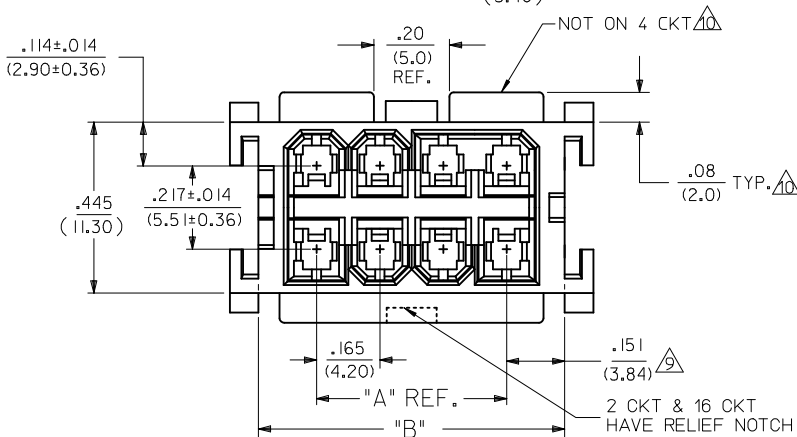
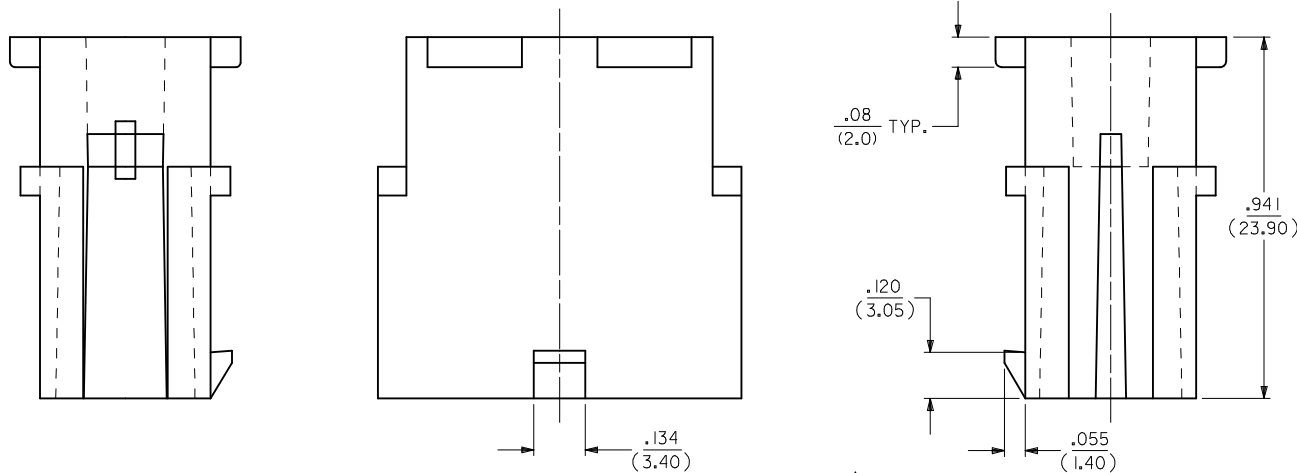
**4 CIRCUIT VERSION**

SEE SHT. #3 FOR PARTS WITH MOUNTING EARS



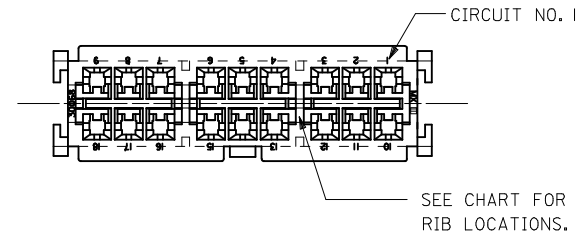
**NOTES:**

- MATERIAL: UNFILLED POLYESTER, U.L. 94V-0; COLOR: BLACK
- FINISH: N/A
- PRODUCT SPECIFICATION: PS-5556-003
- PACKAGING: BULK
- HOUSING TO BE USED WITH TERMINAL #5558.
- HOUSING MATES WITH RECEPTACLE #30067
- 2 THRU 10 AND 14 THRU 24 CKT. HOUSING TO BE USED WITH T.P.A. NO. 30072-\*
- PART CONFORMS TO CLASS 'B' REQUIREMENTS OF COSMETIC SPECIFICATION PS-45499-002.
- .15/3.84 DIMENSION IS .234/5.94 ON 2 CKT PARTS.
- SEE 4 CKT VIEW FOR 4 CKT PARTS

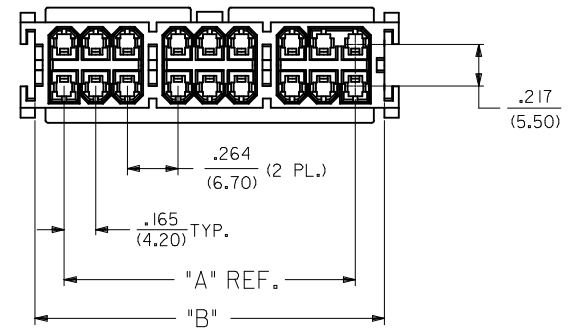
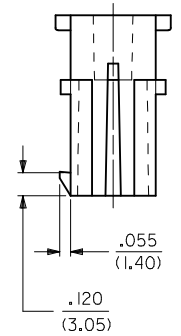
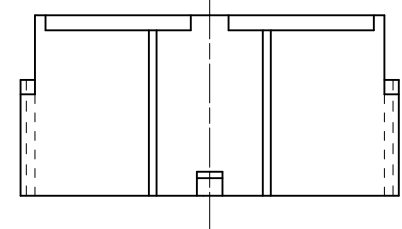
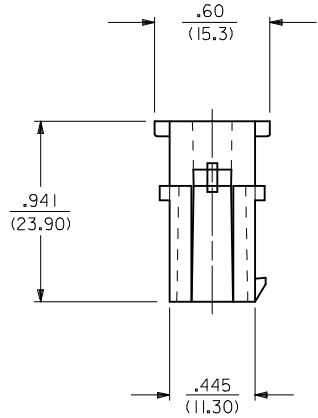


ADD NOTES 9 & 10 EC NO: UCP2013-3729 DRAWN: NGUYEN 2013/03/25 CHKD: BELL 2013/03/25 APPR: FSMITH 2013/04/25	QUALITY SYMBOLS ▽=0 ▽=0 ▽=0	GENERAL TOLERANCES (UNLESS SPECIFIED)		DIMENSION STYLE IN/MM		SCALE 4:1	DESIGN UNITS METRIC	THIRD ANGLE PROJECTION	
		4 PLACES ± --- ± ---	3 PLACES ± --- ± .010	2 PLACES ± 0.25 ± .014	1 PLACE ± 0.36 ± ---	0 PLACE ± ±	DRAWN BY DMF	DATE 1989/10/26	TITLE MINI FIT TPA PLUG HSG 2 THRU 24 CIRCUITS WITH OR W/O MTG EARS
ANGULAR ±1/2°		DRAFT WHERE APPLICABLE MUST REMAIN WITHIN DIMENSIONS		MATERIAL NO. SEE CHART		DOCUMENT NO. SD-30068-*		SHEET NO. 1 OF 3	
THIS DRAWING CONTAINS INFORMATION THAT IS PROPRIETARY TO MOLEX INCORPORATED AND SHOULD NOT BE USED WITHOUT WRITTEN PERMISSION									

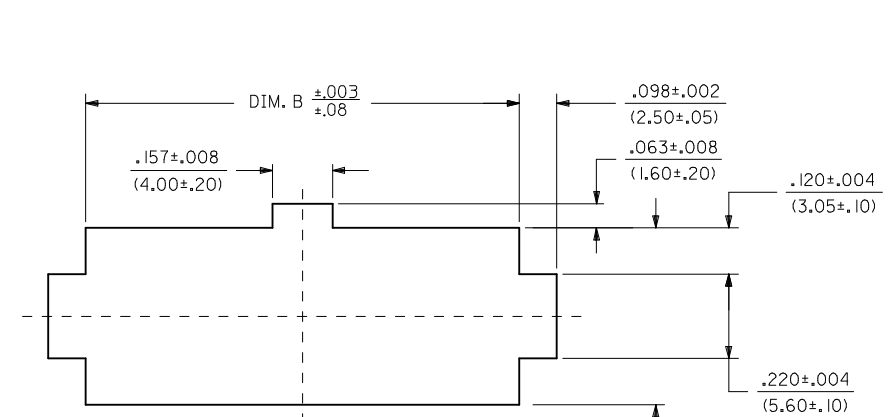
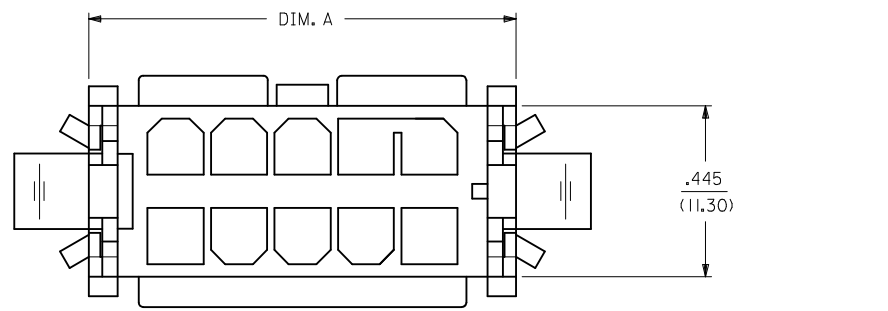
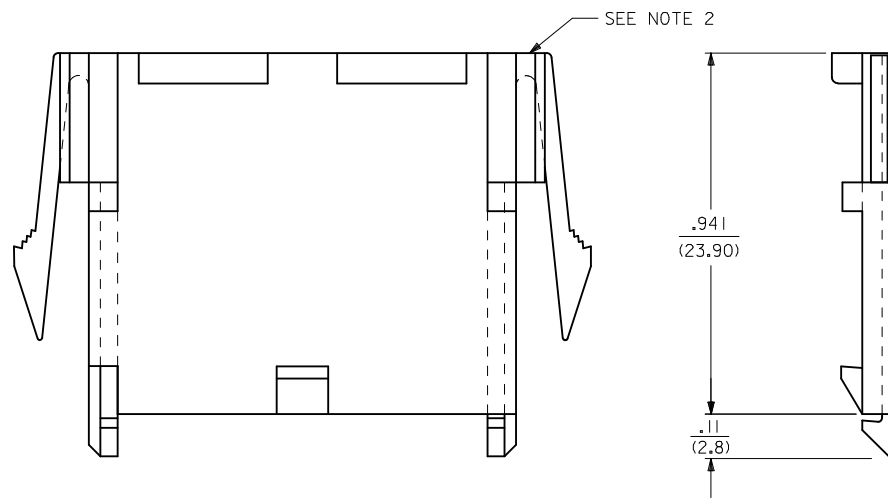
CKT. NO.	ENG. NO.	PART NO.	DIM. A'	DIM. B'	RIBS LOCATED BETWEEN CKT'S.
18	30068-18	NOT TOOLED	1.520 (38.60)	1.822 (46.28)	3,4 & 6,7
20	30068-20	NOT TOOLED	1.685 (42.80)	1.987 (50.46)	3,4 & 7,8
22	30068-22	NOT TOOLED	1.850 (47.00)	2.152 (54.66)	4,5 & 7,8
24	30068-24	NOT TOOLED	2.016 (51.20)	2.318 (58.88)	4,5 & 8,9
SEE SHT. 1 FOR 2 THRU 16 CKT'S.					



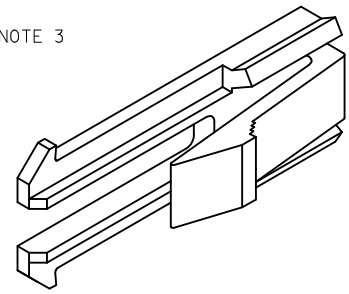
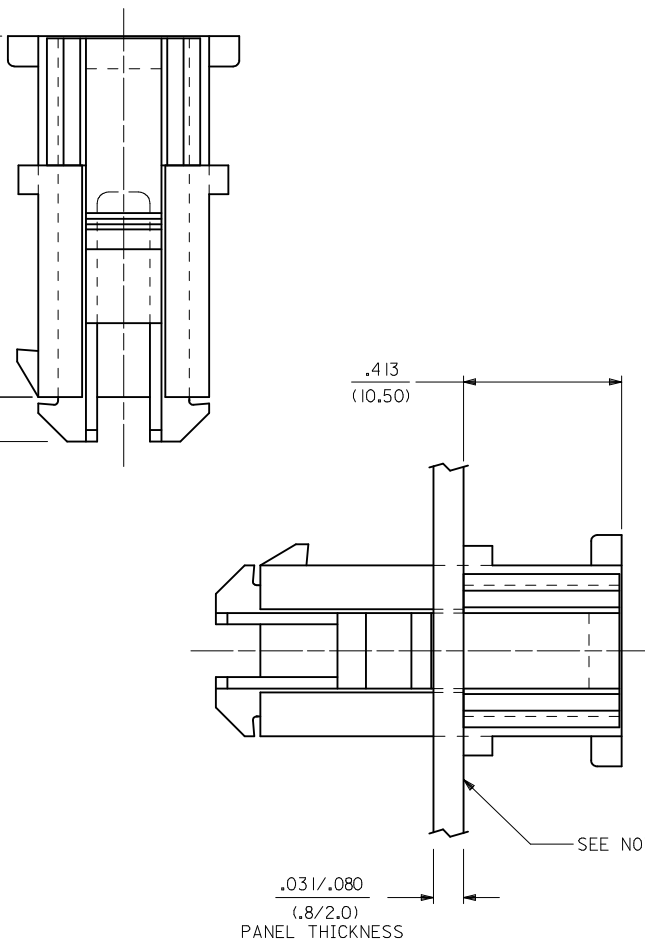
LEGEND:  
 30068 - \*  
 CIRCUIT SIZE (18-24)



SEE SHEET 1 EC NO: UCP2013-3729 DRW: NGUYEN 2013/03/25 CHKD: BELL 2013/03/25 APPR: SMITH 2013/04/25 REV	QUALITY SYMBOLS	GENERAL TOLERANCES (UNLESS SPECIFIED)	DIMENSION STYLE IN/MM	SCALE 2:1	DESIGN UNITS METRIC	THIRD ANGLE PROJECTION
	▽=0	4 PLACES ± .010	DRAWN BY DATE DMF 1989/10/26	TITLE MINI FIT TPA PLUG HSG 2 THRU 24 CIRCUITS WITH OR W/O MTG EARS		
	▽=0	3 PLACES ± .010	CHECKED BY DATE TGP 1989/10/26	molex		
	▽=0	2 PLACES ± 0.25	APPROVED BY DATE FSMITH 2011/08/25			
	▽=0	1 PLACE ± 0.36	MATERIAL NO. SEE CHART		DOCUMENT NO. SD-30068-*	SHEET NO. 2 OF 3
0 PLACE ±	ANGULAR ±1/2°		THIS DRAWING CONTAINS INFORMATION THAT IS PROPRIETARY TO MOLEX INCORPORATED AND SHOULD NOT BE USED WITHOUT WRITTEN PERMISSION			
R5	DRAFT WHERE APPLICABLE MUST REMAIN WITHIN DIMENSIONS					



RECOMMENDED PANEL OPENING FOR USE WITH PLUGS WITH MOUNTING EARS.  
RECOMMENDED PANEL THICKNESS .031/(0.8)-.08/(2.0).



- NOTES:**
- 1) MOUNTING EAR MATERIAL: UNFILLED POLYESTER, P.B.T., COLOR: BLACK.
  - 2) MOUNTING EARS TO BE INSERTED INTO SIDE SLOTS FROM BACK OF HOUSING.
  - 3) HOUSING ASSEMBLY TO BE INSERTED FROM PUNCH SIDE OF PANEL.
  - 4) REFER TO DRAWING SD-43130-0001 MOUNTING EAR INFORMATION

NUMBER OF CIRCUITS	DIM. A	DIM. B
2	.617 (15.67)	.634 (16.10)
4	.617 (15.67)	.634 (16.10)
6	.783 (19.89)	.799 (20.30)
8	.948 (24.08)	.965 (24.50)
10	1.113 (28.27)	1.130 (28.70)
12	1.279 (32.49)	1.295 (32.90)
14	1.444 (36.68)	1.461 (37.10)
16	1.609 (40.87)	1.626 (41.30)
18	1.972 (50.09)	1.988 (50.50)
20	2.137 (54.28)	2.154 (54.70)
22	2.303 (58.50)	2.319 (58.90)
24	2.468 (62.69)	2.484 (63.10)

<b>SEE SHEET 1</b> EC NO: UCP2013-3729 DRAWING: NGUYEN 2013/03/25 CHKD: J.BELL 2013/03/25 APPR: F.SMITH 2013/04/25	QUALITY SYMBOLS 	GENERAL TOLERANCES (UNLESS SPECIFIED) <table border="1"> <thead> <tr> <th></th> <th>mm</th> <th>INCH</th> </tr> </thead> <tbody> <tr> <td>4 PLACES</td> <td>± .005</td> <td>± .0002</td> </tr> <tr> <td>3 PLACES</td> <td>± .004</td> <td>± .00015</td> </tr> <tr> <td>2 PLACES</td> <td>± 0.25</td> <td>± .010</td> </tr> <tr> <td>1 PLACE</td> <td>± 0.36</td> <td>± .014</td> </tr> <tr> <td>0 PLACE</td> <td>±</td> <td>±</td> </tr> </tbody> </table>		mm	INCH	4 PLACES	± .005	± .0002	3 PLACES	± .004	± .00015	2 PLACES	± 0.25	± .010	1 PLACE	± 0.36	± .014	0 PLACE	±	±	DIMENSION STYLE <b>IN/MM</b> DRAWN BY: DMF DATE: 1989/10/26 CHECKED BY: TGP DATE: 1989/10/26 APPROVED BY: F.SMITH DATE: 2011/08/25	SCALE: <b>4:1</b> DESIGN UNITS: <b>METRIC</b> 	TITLE: <b>MINI FIT TPA PLUG HSG          2 THRU 24 CIRCUITS          WITH OR W/O MTG EARS</b> <b>molex</b>
		mm	INCH																				
	4 PLACES	± .005	± .0002																				
	3 PLACES	± .004	± .00015																				
2 PLACES	± 0.25	± .010																					
1 PLACE	± 0.36	± .014																					
0 PLACE	±	±																					
<b>R5</b>	DRAFT WHERE APPLICABLE MUST REMAIN WITHIN DIMENSIONS	MATERIAL NO.: <b>SEE CHART</b>	DOCUMENT NO.: <b>SD-30068-*</b>	SHEET NO.: <b>3 OF 3</b>																			
		ANGULAR ±1/2°																					
			THIS DRAWING CONTAINS INFORMATION THAT IS PROPRIETARY TO MOLEX INCORPORATED AND SHOULD NOT BE USED WITHOUT WRITTEN PERMISSION																				