

4

3

2

1

RELEASED FOR PUBLICATION 19-FEB-82

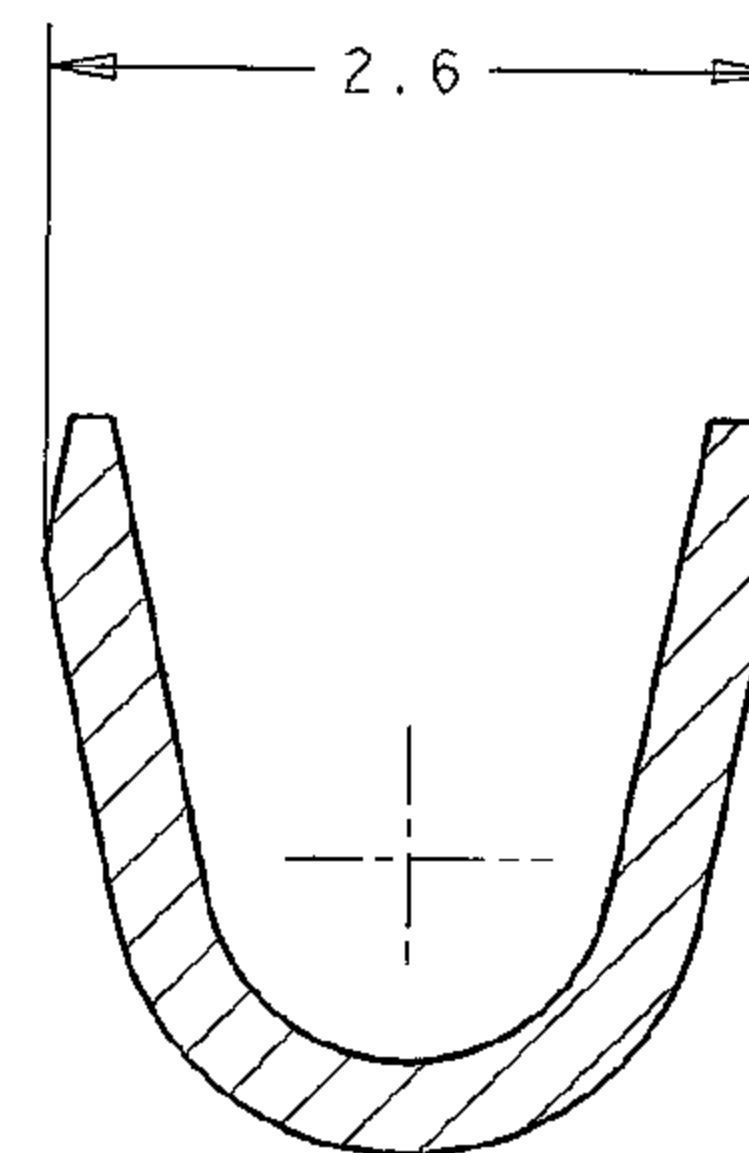
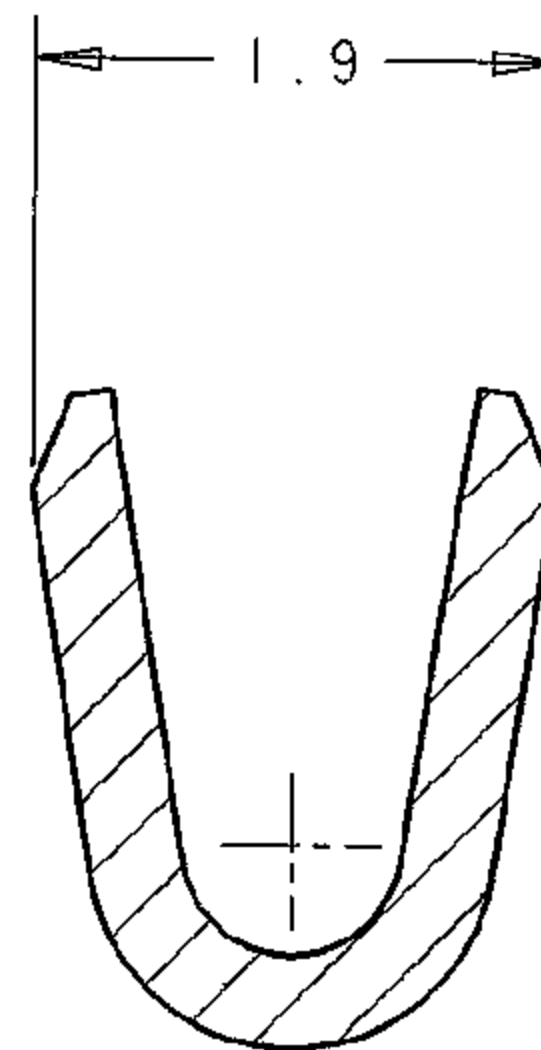
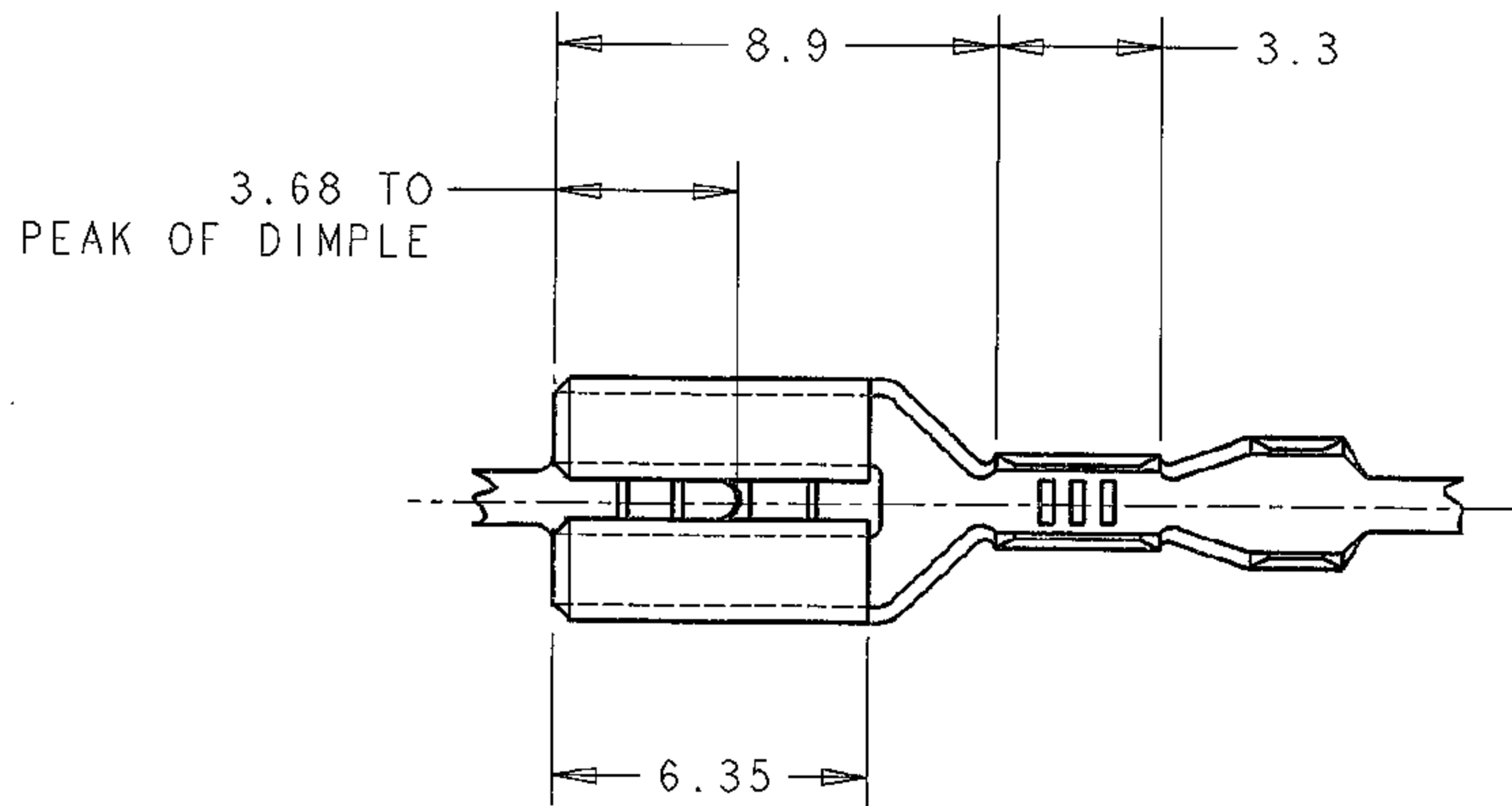
© COPYRIGHT 1982 BY AMP INCORPORATED. ALL RIGHTS RESERVED.

LOC

E

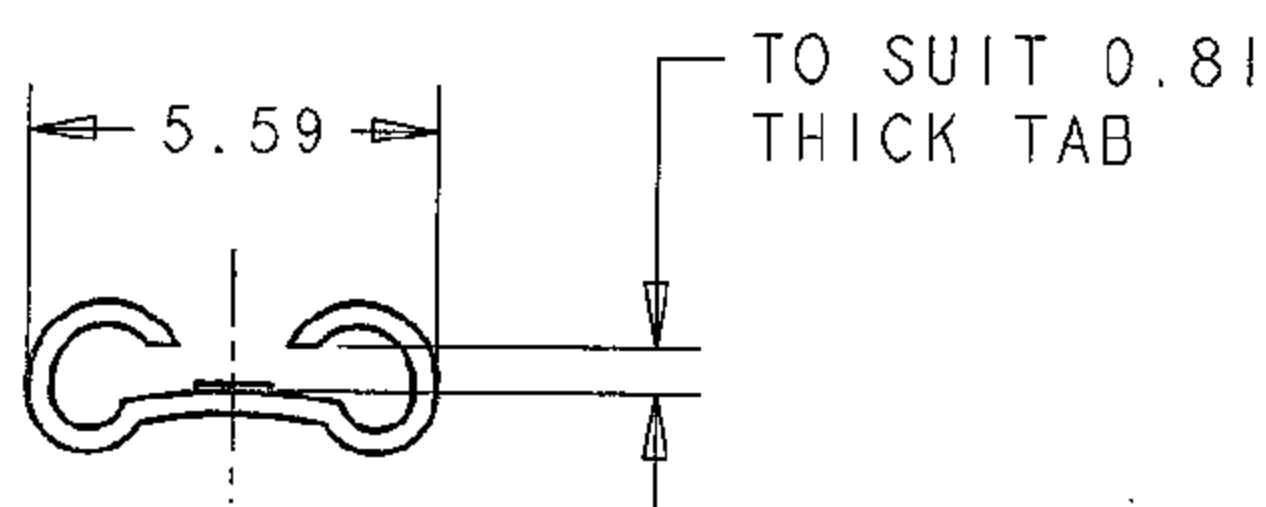
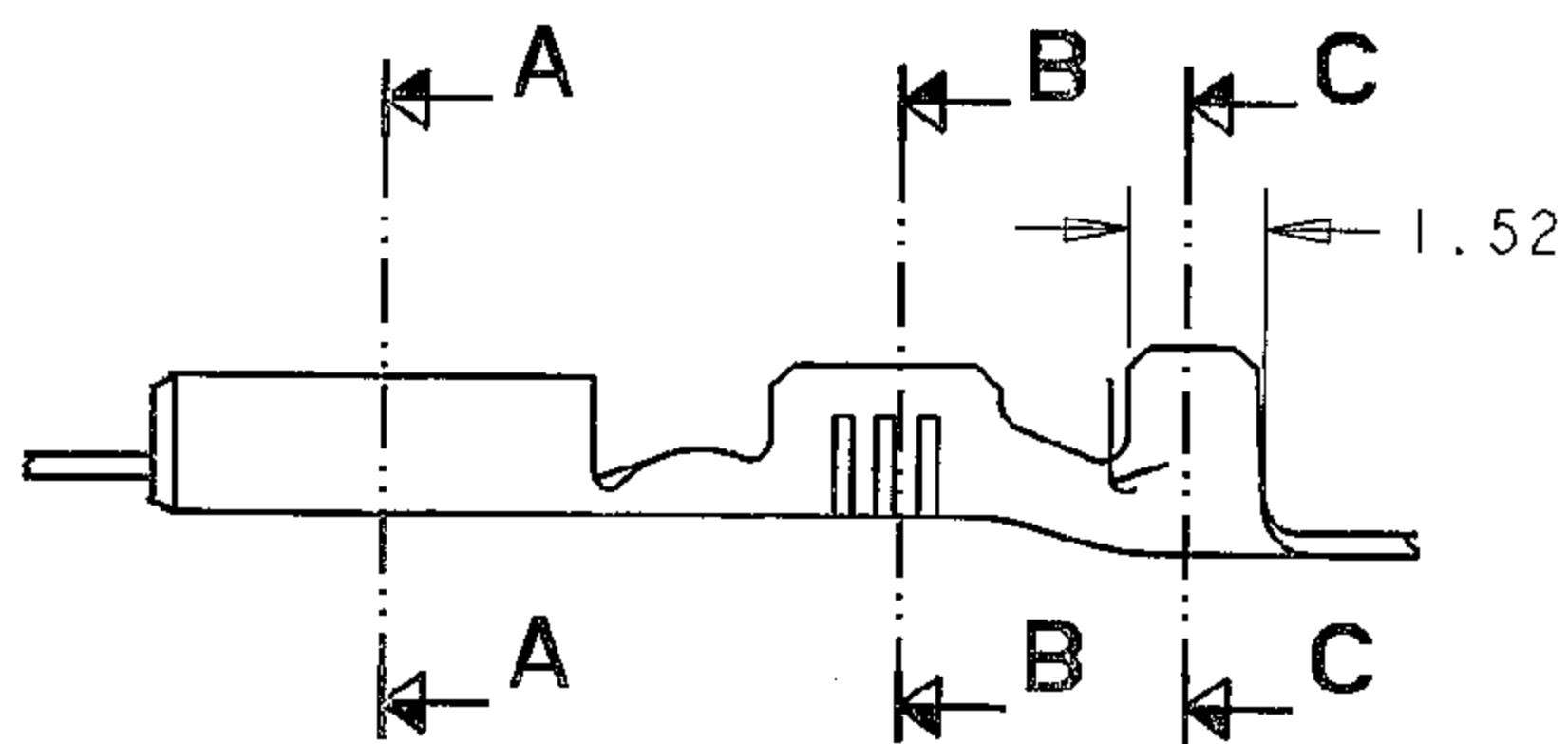
REVISIONS

P	LTR	DESCRIPTION	DATE	DWN	APVD
B		ECR-08-024354	26/09/08	MJG	JA



SECTION B-B  
SCALE 20:1

SECTION C-C  
SCALE 20:1



SECTION A-A

WIRE RANGE: -0.2-0.5mm<sup>2</sup>.  
INSULATION: -1.02-1.78.

ELECTRO TIN 3.0-9.0THK	BRASS	342368-2
NONE	BRASS	342368-1
FINISH	MATERIAL	PART NUMBER

THIS DRAWING IS A CONTROLLED DOCUMENT FOR AMP INCORPORATED. IT IS SUBJECT TO CHANGE AND THE CONTROLLING ENGINEERING ORGANIZATION SHOULD BE CONTACTED FOR THE LATEST REVISION.		DWN D.R. TERRY 29-May-98	<b>AMP</b> AMP of Great Britain Ltd, Stanmore, Middlesex, HA7 4RS.	
DIMENSIONS IN m.m		CHK D. McAFFERY 23-2-82		
TOLERANCES UNLESS OTHERWISE SPECIFIED		APVD R. RUNNAGALL 23-2-82	NAME 4.75(.187) SERIES FASTON RECEPTACLE	
THIRD ANGLE PROJECTION	LINEAR: - ±0.5 ANGULAR: - ±1°	PRODUCT SPEC	DRAWING NO	
MATERIAL SEE TABLE	FINISH SEE TABLE	APPLICATION SPEC	SIZE A3	CAGE CODE 00779
		WEIGHT	DRAWING NO C-342368	
		CUSTOMER DRAWING	SCALE N.T.S.	SHEET 1 OF 1
			REV B	