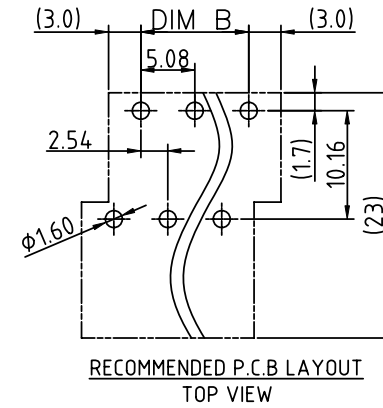
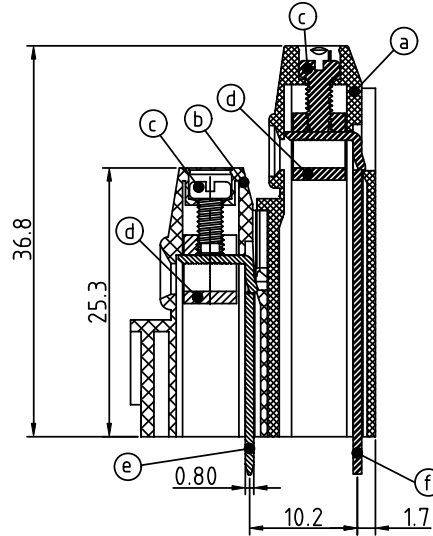
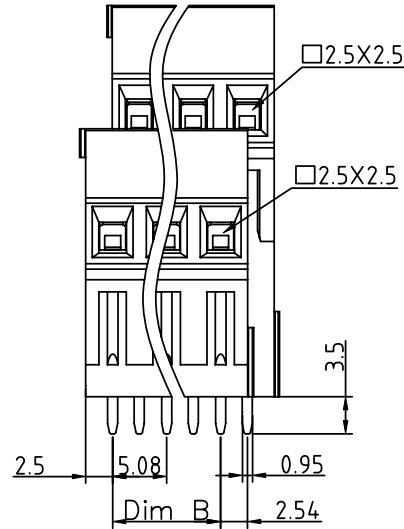
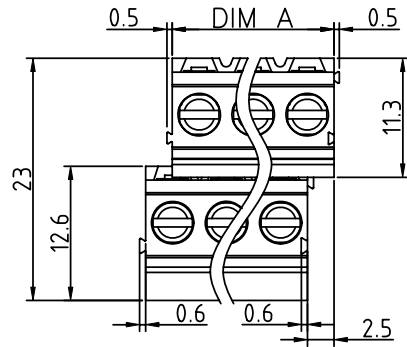


PRODUCT NUMBER	PITCH
YMxx41x000J0G	5.08 mm



Material:

- Item (a) Terminal housing :Thermoplastic (UL 94V-0) (YF5.08)
- Item (b) Terminal housing :Thermoplastic (UL 94V-0) (YE5.08)
- Item (c) Terminal screw: Steel Zinc plating"- "slot type
- Item (d) Clamp: Brass, Ni plated
- Item (e) Solder pin1: Brass, Tin plated (YE)
- Item (f) Solder pin2: Brass, Tin plated (YF)

Electrical cULus

- Voltage rating: 300VAC
- Current rating: 10A
- Wire range:
- Solid wire(AWG): 12-24
- Stranded wire(AWG): 12-24
- Torque(Lb-In): 3.5
- Screw: M2.5
- Wire strip length: 6-7mm
- Withstanding Voltage: 1.6KV
- Operating temperature: -40°C to +115°C
- Soldering temperature: 260°C±5°C/5 Sec
- Safety Approval:

DIMENSION

Dim A	N/2x5.08
Dim B	(N/2-1)x5.08

N=Number of poles

Poles	Tolerance
2x2p~2x6p	±0.15
2x7p~2x12p	±0.25
2x13p~2x18p	±0.35
2x19p~2x24p	±0.40

PART NO.: YM xx 4 1 x 0 00J0 G

	Color	RoHS compliant
End stackable	0 Black (RAL9005)	(lead<4%)
No. of poles	2 Red (RAL3001/D)	In copper Alloy
04 2x2 poles	3 Orange(RAL2011/P)	
06 2x3 poles	4 Yellow(RAL1018/A)	
...	5 Green(RAL6018/T)	
48 2x24 poles	6 Blue (RAL5015/A)	
	8 Grey(RAL7035/D)	
	9 White(RAL1102)	
	C Green(RAL6018/U)	

mat'l. code	surface ASME Y14.5	tolerance ASME Y14.5	projection	product family	
ltr	ecn	no	dr	date	
tolerances unless otherwise specified				TERMINAL BLOCK	
angles	±	X.±0.5	MM	title	
±	X.X±0.3	scale	TERMINAL BLOCK		
X*±1"	X.XX±0.1	RISING CLAMP,180D WIRE INLET,END STACKABLE,LEFT TYPE			
dr	EVIN ZHONG	041114	dwg no	sheet 1 of 1	
enrg	EVIN ZHONG	041114	YMxx41x000J0G	A4	
chr	HANKE FENG	041114	type		
appd	SHI JUN	041114	CUSTOMER Drawing		
sheet index	revision	A			
	sheet	1			