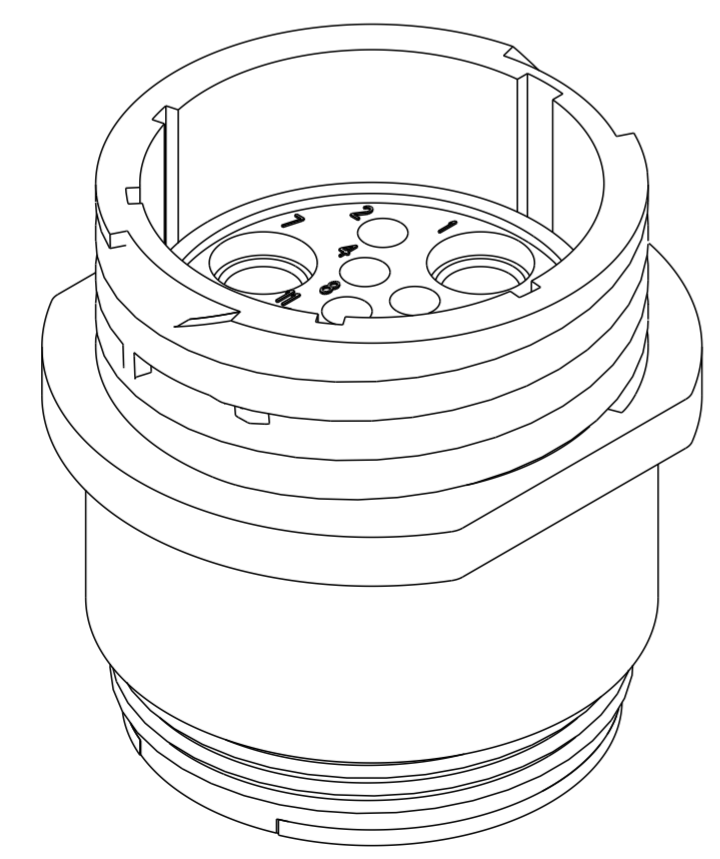
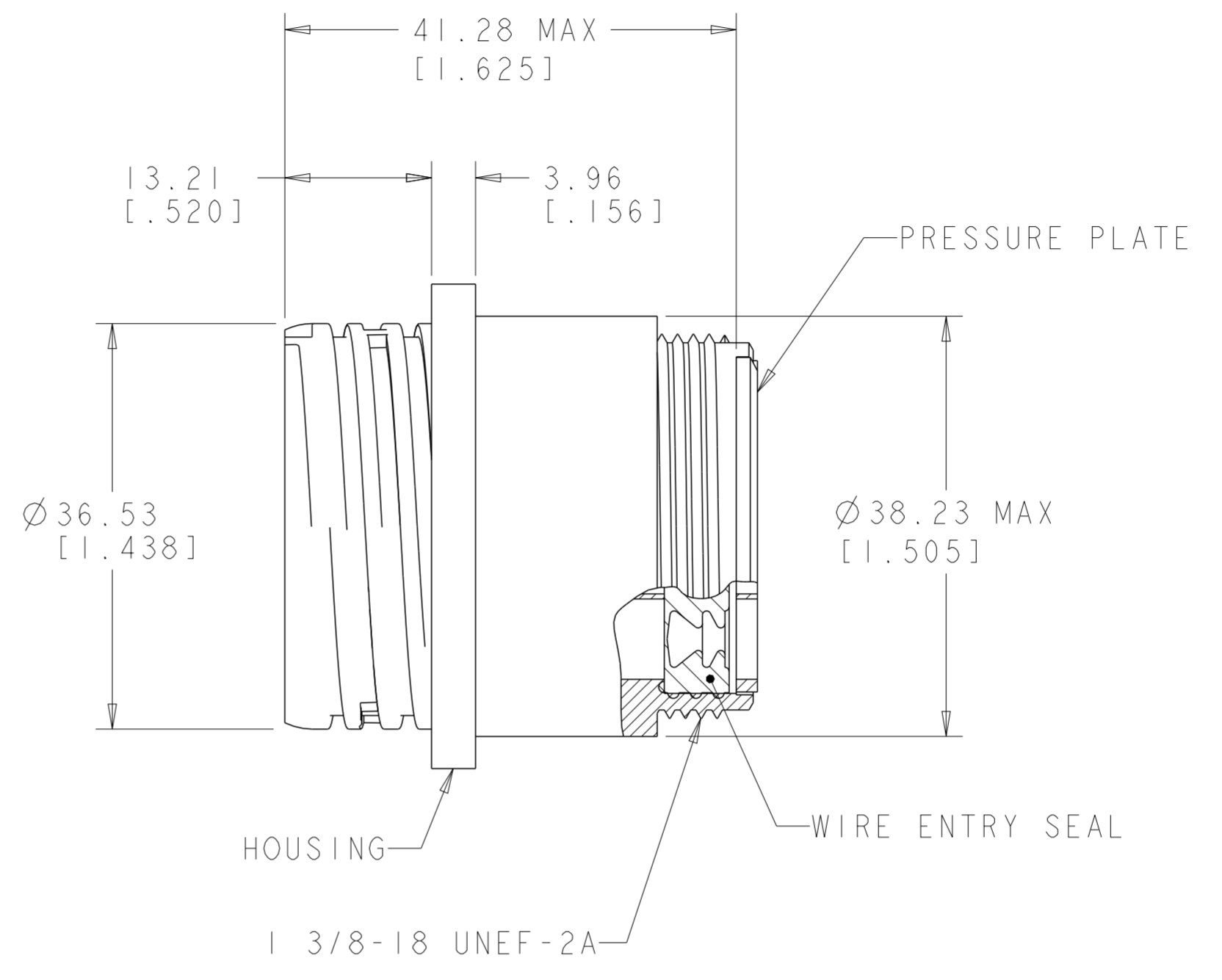
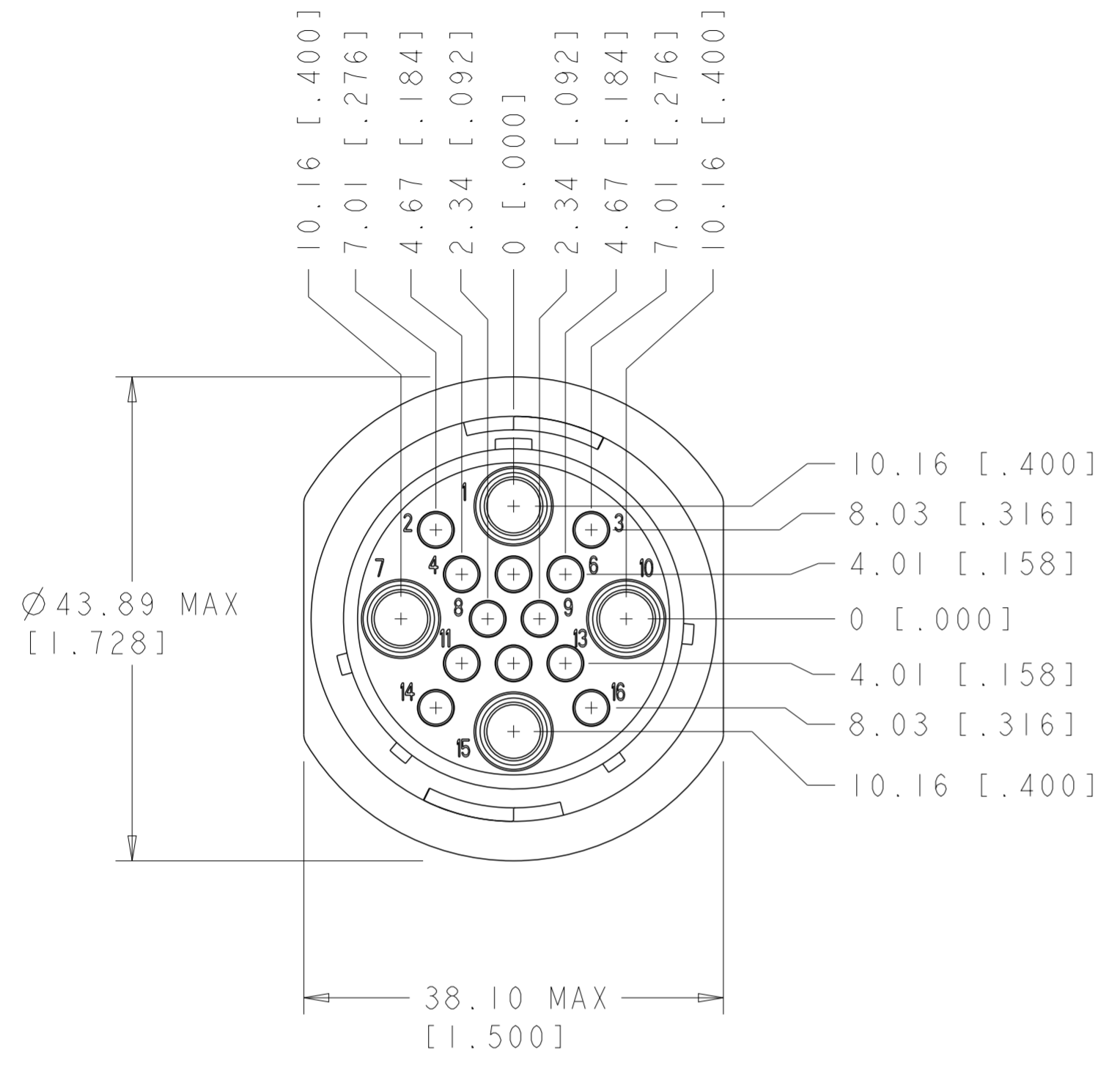


THIS DRAWING IS UNPUBLISHED. RELEASED FOR PUBLICATION
 © COPYRIGHT 20 BY - ALL RIGHTS RESERVED.

LOC		DIST		REVISIONS			
P	LTR	DESCRIPTION	DATE	DWN	APVD		
	A	NEW DRAWING PER ECO-12-018480	15NOV2012	KH	MZ		



⚠ HOUSING & PRESSURE PLATE: NYLON, BLACK.
 WIRE ENTRY SEAL: ELASTOMER, RED-IRON OXIDE.
 PERIPHERAL SEAL: POLYESTER, BLACK.
 2. WILL ACCEPT (12) MULTIMATE PINS AND (4) POWER MALE CONTACTS.

1977891-1
 PART NUMBER

THIS DRAWING IS A CONTROLLED DOCUMENT.		DWN KIRAN HOLAJI 15NOV2012	TE Connectivity	
DIMENSIONS: mm [INCHES]		CHK M ZITTO 15NOV2012		
TOLERANCES UNLESS OTHERWISE SPECIFIED:		APVD M ZITTO 15NOV2012	NAME CPC FREE HANGING RECEPTACLE ASSEMBLY SERIES 6, SEALED, 23-16, STANDARD SEX, UV RESISTANT	
0 PLC ± 1 PLC ± 2 PLC ±0.02 3 PLC ± 4 PLC ± ANGLES ± FINISH		PRODUCT SPEC 108-1579	SIZE A2	CAGE CODE 00779
MATERIAL -		APPLICATION SPEC -	DRAWING NO C-1977891	RESTRICTED TO -
-		WEIGHT -	SCALE 2:1	SHEET 1 OF 1
-		CUSTOMER DRAWING	REV A	