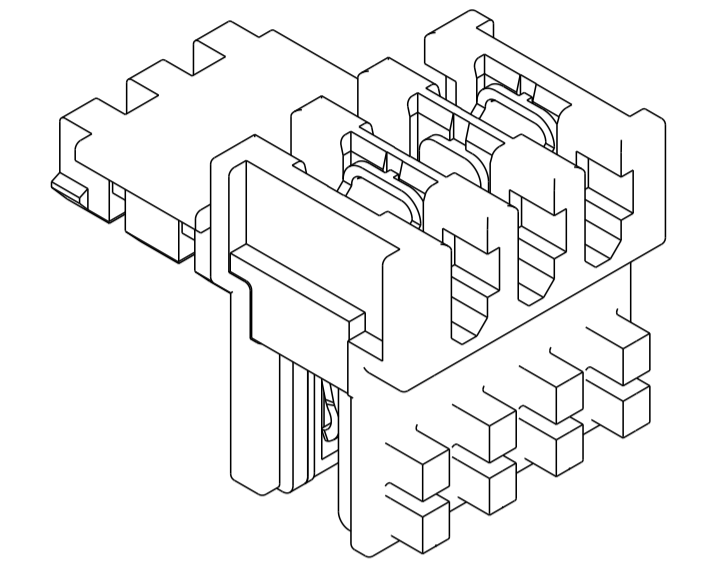
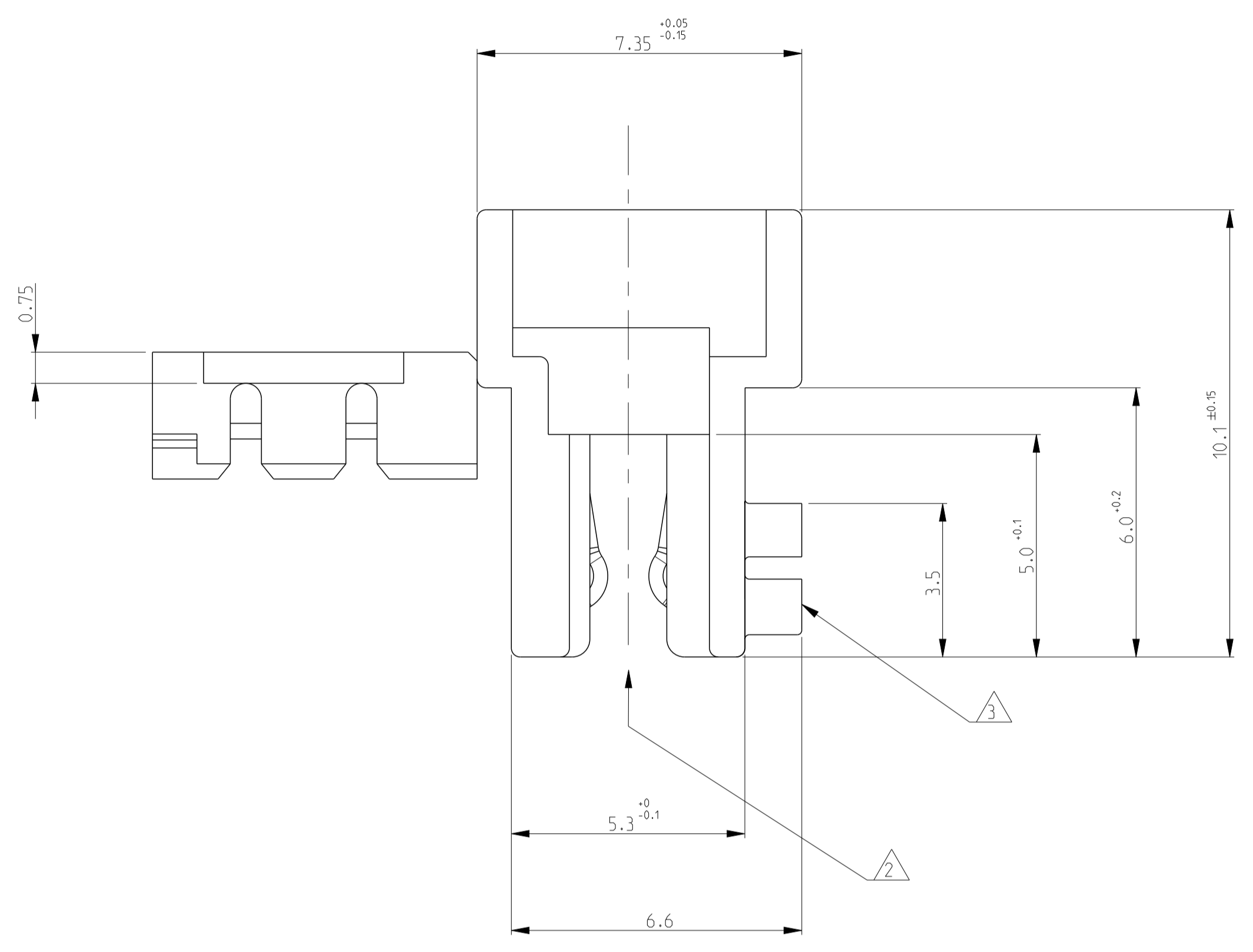
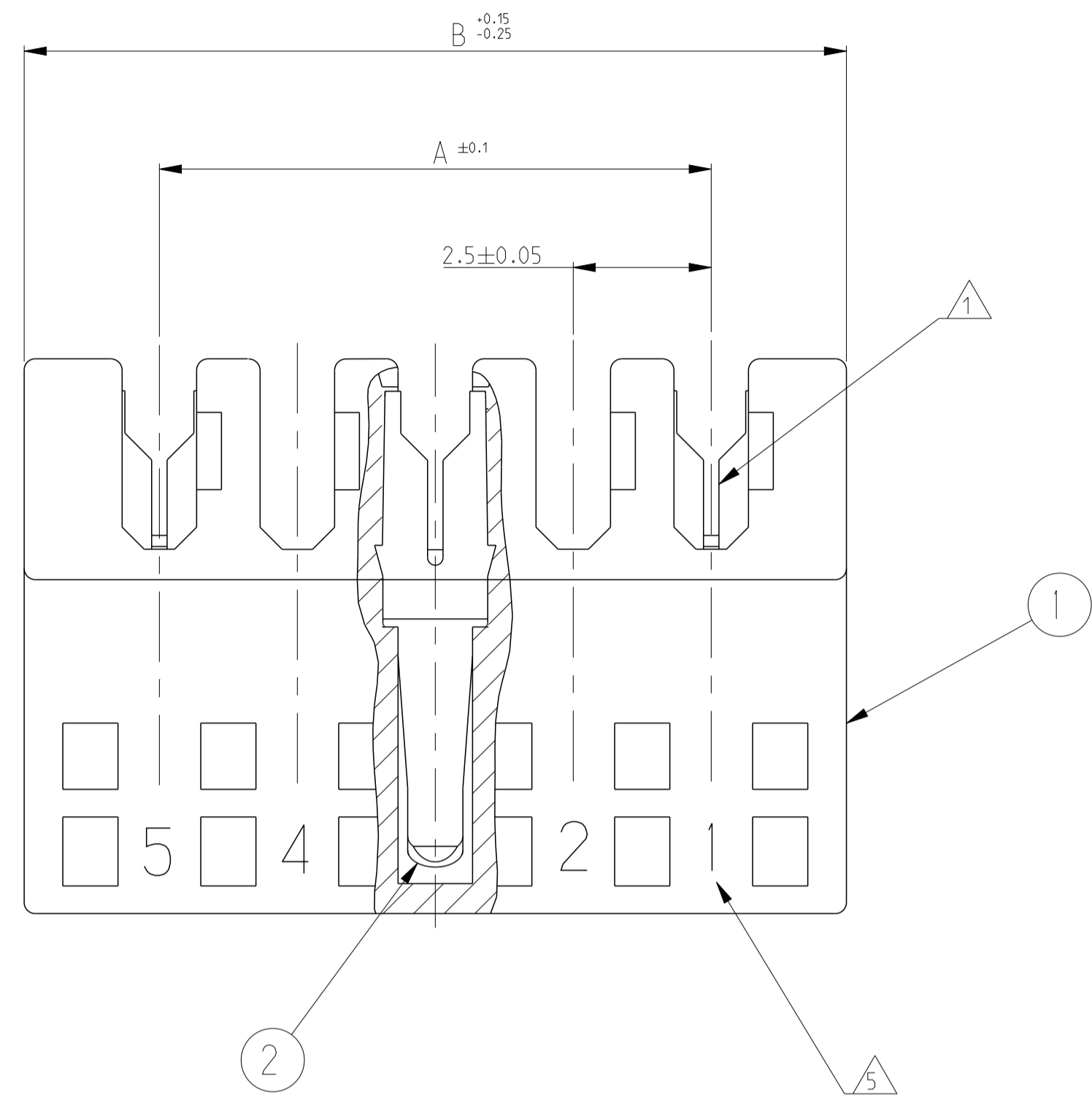
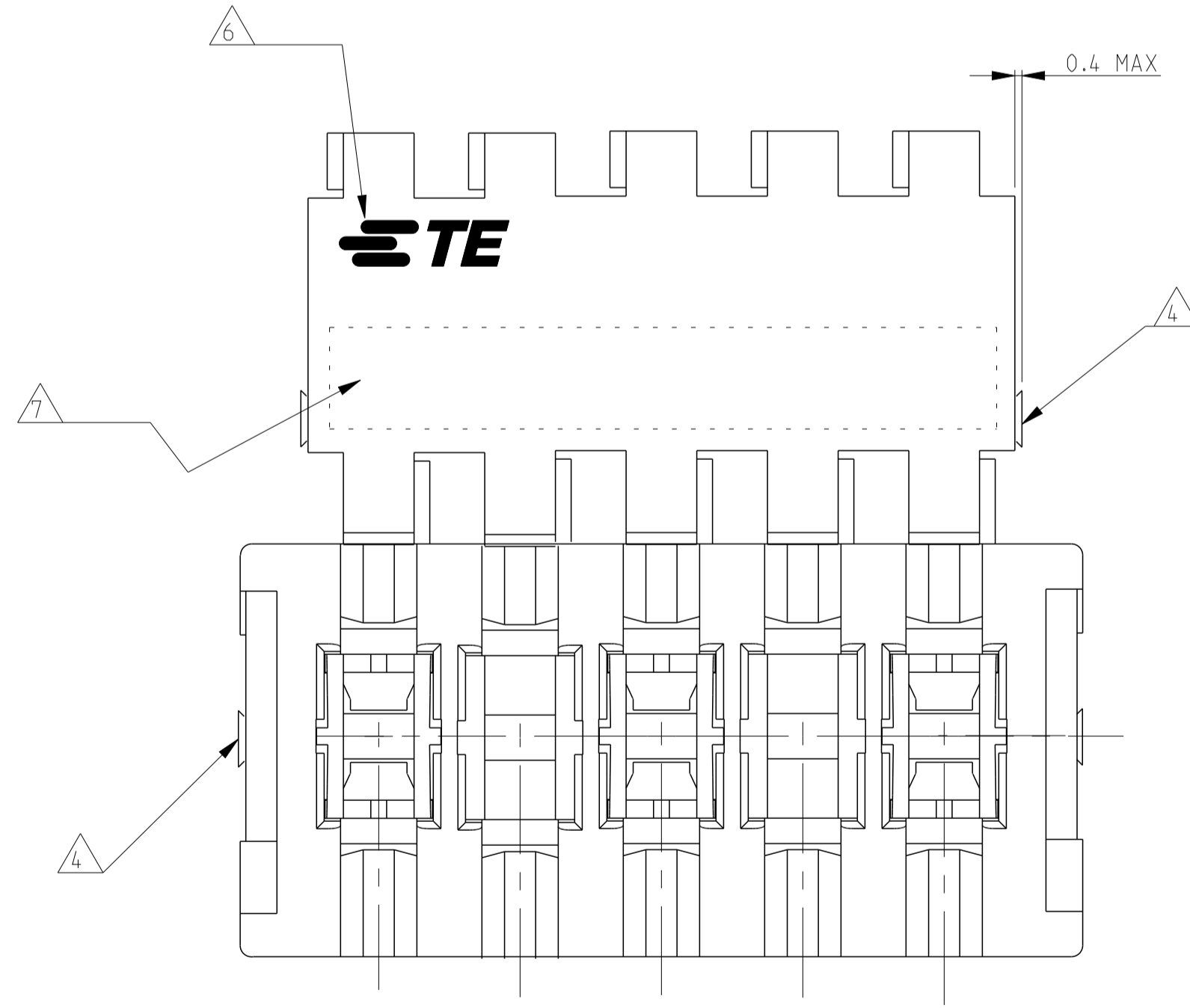


LOC		DIST		REVISIONS			
P	LTN	DESCRIPTION	DATE	DWN	APVD		
A17		REVISED PER ECR-15-012073	13AUG2015	NK	W W		
A18		ECR-16-003426	07Apr2016	SL	RR		
A19		ECR-16-003755	24MAY2016	KD	RR		
A20		ECR-16-016334	18NOV2016	FV	RR		



3D VIEW FOR REF. ONLY
 3 POS. PN 0-284931-3 AS SHOWN
 SCALE 5:1



- ① WIRE RANGE : STRANDED 0.22-0.35 mm² (INS. DIA. 1.30±0.1)
- ② MATING PART: TAB HEADER P/N 829866;
PCB FRAME P/N 964575 (PCB THK 1.5±0.14 COPPER CLADDING INCLUDED)
SEE PRODUCT SPEC. 108-18056 FOR FRAME APPLICATION
- ③ KEYING RIBS TO BE REMOVED BY TERMINATION MACHINE
- ④ CUT OFF DIMENSION DUE TO PRODUCTION PROCESS
- ⑤ CIRCUIT No. IDENTIFICATION
- ⑥ TE TRADEMARK (OPTIONAL POSITION)
- ⑦ TAMPOGRAPHIC COLOUR CODE AREA (P/Ns IDENTIFICATION BEFORE CRIMPING)
- ⑧ PRELIMINARY PART NOT YET RELEASED FOR PRODUCTION
- ⑨ PBT GF
- ⑩ PBT GF. GWEP7 750 NO-FLAME. NATURAL

P/N 0-284931-5 AS SHOWN

COLOUR CODE	CONTACT LOADING	HSG POS.	KEYING	DIM.A	DIM.B	TE P/N	REV
BLUE	SELECTIVELY 1,2,3,4,5,6,7,8,9,10,11,13	13	2/3	30.0	34.9	1-284931-3	2311506-3
BLUE	SELECTIVELY 1,3,5,7,9,11	11	-	25.0	29.9	1-284931-1	2-2311506-1
BLUE	SELECTIVELY 1,3,5,7,8,10	10	-	22.5	27.4	1-284931-0	1-2311505-0
GREEN	SELECTIVELY 1,3,4,6,7,8,9	9	-	20.0	24.9	2-284931-9	3-2311505-9
BLUE	SELECTIVELY 1,2,4,6,7,9	9	-	20.0	24.9	0-284931-9	2-2311505-9
GREEN	SELECTIVELY 1,3,4,6,7,8	8	-	17.5	22.4	2-284931-8	1-2311505-8
BLUE	SELECTIVELY 1,2,3,5,6,8	8	-	17.5	22.4	0-284931-8	2311505-8
GREEN	SELECTIVELY 1,3,5,6,7	7	-	15.0	19.9	2-284931-7	2-2311505-7
BLUE	SELECTIVELY 1,3,5,7	7	-	15.0	19.9	0-284931-7	1-2311505-7
BLUE	SELECTIVELY 1,2,4,6	6	-	12.5	17.4	1-284931-6	2-2311505-6
RED	SELECTIVELY 1,3,4,6	6	-	12.5	17.4	0-284931-6	1-2311505-6
GREEN	SELECTIVELY 1,2,3,5					4-284931-5	4-2311505-5
RED	SELECTIVELY 1,5					3-284931-5	3-2311505-5
-	SELECTIVELY 1,3,5	5	-	10.0	14.9	2-284931-5	2-2311505-5
OBSOLETED	SELECTIVELY 1,3,5					0-284931-5	-
RED	SELECTIVELY 1,3		2/3			5-284931-3	5-2311505-3
BROWN	SELECTIVELY 1,3					4-284931-3	4-2311505-3
GREEN	SELECTIVELY 1,3	3	-	5.0	9.9	3-284931-3	3-2311505-3
-	SELECTIVELY 1,3					2-284931-3	2-2311505-3
BLUE	SELECTIVELY 1,3					0-284931-3	1-2311505-3

-		-		THIS DRAWING IS A CONTROLLED DOCUMENT.		DWN R. FABRIS 27/FEB2004		TE Connectivity	
SEE TABLE	PH. BRONZE, TIN PLATED	IDC RECEPTACLE CONTACT	2	DIMENSIONS: mm	TOLERANCES UNLESS OTHERWISE SPECIFIED:	APVD G. TURCO 27/FEB2004	NAME DUOPLUG 2.5 FEMALE CONNECTOR STANDARD VERSION (SELECTIVELY LOADED)		
Q.TY	MATERIAL	DESCRIPTION	ITEM	0 PLC ±0.2 1 PLC ±0.2 2 PLC ±0.2 3 PLC ±0.2 4 PLC ±0.2 ANGLES ±°		PRODUCT SPEC 108-18056	SIZE A1	CAGE CODE 00779	DRAWING NO. C=284931
1		REVISIONE DELL'ASSEMBLATO (REVISION OF EACH ASSY NOI)		MATERIAL SEE TABLE	FINISH	APPLICATION SPEC 116-18049-1	RESTRICTED TO	SCALE 2:1	SHEET 1 OF 1
0.24 PER ASSEMBLATO (BY REP OF ASSY)		ELENCO DEI COMPONENTI (PARTS LIST)				WEIGHT	CUSTOMER DRAWING	REV A20	