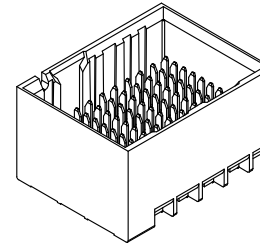


- NOTES:
- MATERIALS: HOUSING - LIQUID CRYSTAL POLYMER (LCP)
GLASS-FILLED, UL94V-0
TERMINALS - HIGH PERFORMANCE COPPER ALLOY
 - FINISH: 30μ MIN GOLD IN CONTACT AREA.
SELECTIVE MATE TIN ON PCB TAILS, NICKEL OVERALL.
 - REFER TO MOLEX PRODUCT SPECIFICATION PS-170540-999
FOR PERFORMANCE SPECIFICATIONS AND ADDITIONAL PCB INFORMATION.
 - THIS PART CONFORMS TO CLASS B REQUIREMENTS OF MOLEX
COSMETIC SPEC PS-45499-002.
 - PARTS PACKAGED PER PK-70873-7700.
 - SEE SHEETS 2 & 3 FOR PART NUMBERS AND BOARD RELATIONSHIPS.
 - REFER TO MOLEX PCB ROUTING GUIDE AS-76060-990 FOR ANTI PAD AND
ROUTING RECOMMENDATIONS.
 - *THESE DIMENSIONS REPRESENT THE AREA NEEDED TO ACCOMMODATE CONNECTOR
INSERTION AND REPAIR ON THE PC BOARD. THIS IS REFERRED TO AS THE
"CONNECTOR KEEP OUT ZONE" AND DOES NOT REPRESENT THE ACTUAL PERIMETER
OF THE CONNECTOR. WHEN LAYING OUT A PC BOARD FOR CONNECTORS STACKED
TOGETHER, USE A 1.9mm PROGRESSION."
 - MINIMUM CIRCUIT BOARD THICKNESS: 1.0mm

ADD 12-COL PARTS EC NO: UCP2013-2402 DRWN: BINGHAM 2012/12/12 CHKD: JLAURX 2012/12/12 APPR: JLAURX 2013/01/28	QUALITY SYMBOLS 	GENERAL TOLERANCES (UNLESS SPECIFIED)		DIMENSION STYLE	SCALE	DESIGN UNITS	THIRD ANGLE PROJECTION	
				MM ONLY	4:1	METRIC		
				DRAWN BY DATE		TITLE		
				CHECKED BY DATE		IMPACT 3-PAIR 85-OHM UNGUIDED BACKPLANE SALES ASSEMBLY DRAWING		
		APPROVED BY DATE		DOCUMENT NO.			SHEET NO.	
		MATERIAL NO.		SD-170525-0001			1 OF 3	
		DRAFT WHERE APPLICABLE MUST REMAIN WITHIN DIMENSIONS		THIS DRAWING CONTAINS INFORMATION THAT IS PROPRIETARY TO MOLEX INCORPORATED AND SHOULD NOT BE USED WITHOUT WRITTEN PERMISSION				

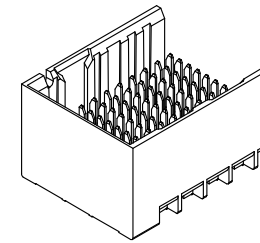
PART NUMBER CHART

MATERIAL NUMBER	# OF COLUMNS	# OF DIFF PAIR	DIM "A"	DIM "B"	DUAL END WALL OPTION
170525-182*	8	24	17.9	13.30	
170525-112*	10	30	21.7	17.10	
170525-122*	12	36	25.5	20.90	
170525-162*	16	48	33.1	28.50	



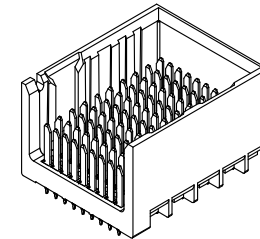
DUAL END
WALL OPTION

MATERIAL NUMBER	# OF COLUMNS	# OF DIFF PAIR	DIM "A"	DIM "B"	LEFT END WALL OPTION
170525-181*	8	24	16.5	13.30	
170525-111*	10	30	20.3	17.10	
170525-121*	12	36	24.1	20.90	
170525-161*	16	48	31.7	28.50	



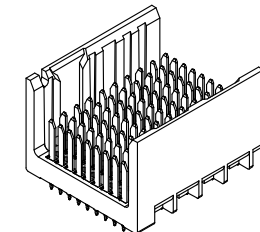
LEFT END
WALL OPTION

MATERIAL NUMBER	# OF COLUMNS	# OF DIFF PAIR	DIM "A"	DIM "B"	RIGHT END WALL OPTION
170525-183*	8	24	16.5	13.30	
170525-113*	10	30	20.3	17.10	
170525-123*	12	36	24.1	20.90	
170525-163*	16	48	31.7	28.50	



RIGHT END
WALL OPTION

MATERIAL NUMBER	# OF COLUMNS	# OF DIFF PAIR	DIM "A"	DIM "B"	OPEN WALL OPTION
170525-180*	8	24	15.1	13.30	
170525-110*	10	30	18.9	17.10	
170525-120*	12	36	22.7	20.90	
170525-160*	16	48	30.4	28.50	



OPEN
WALL OPTION

PART NUMBER LOGIC

170525-****

MODULE TYPE
1 = UNGUIDED, MATTE TIN

PIN LENGTH (P)

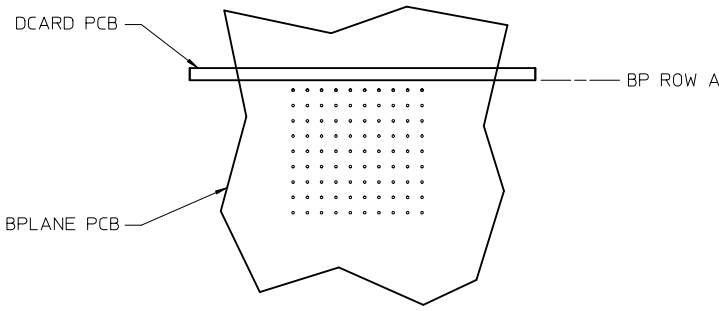
- 3 = 4.50 (SHORT COMPLIANT, 0.46±0.05 PTH)
- 4 = 4.90 (SHORT COMPLIANT, 0.46±0.05 PTH)
- 5 = 5.50 (SHORT COMPLIANT, 0.46±0.05 PTH)
- 6 = 4.50 (MICRO COMPLIANT, 0.39±0.05 PTH)
- 7 = 4.90 (MICRO COMPLIANT, 0.39±0.05 PTH)
- 8 = 5.50 (MICRO COMPLIANT, 0.39±0.05 PTH)

END WALL OPTIONS

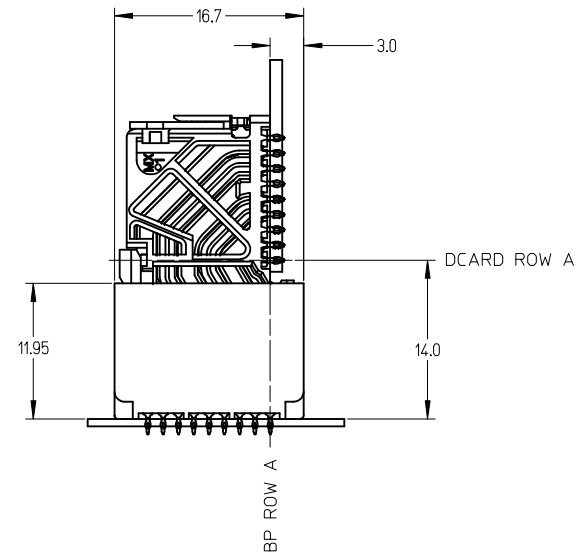
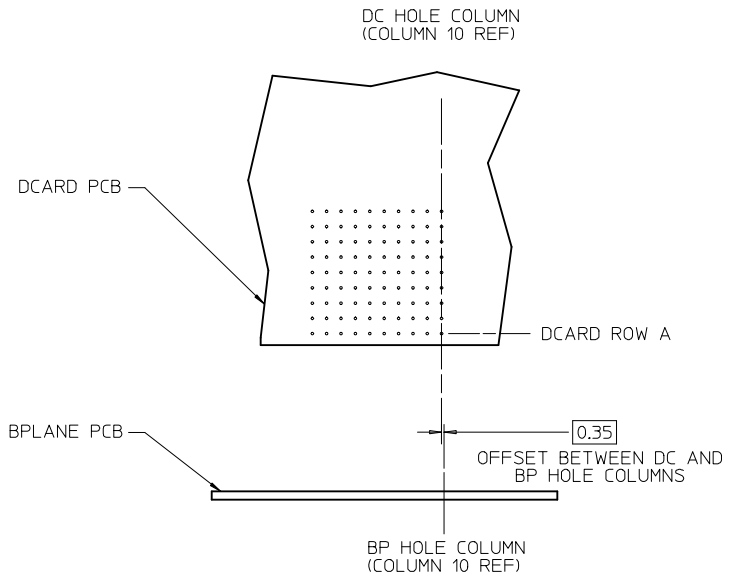
- 0 = OPEN ENDS
- 1 = LEFT END WALL
- 2 = DUAL END WALL
- 3 = RIGHT END WALL

- # OF COLUMNS
- 1 = 10 COL
 - 2 = 12 COL
 - 6 = 16 COL
 - 8 = 8 COL

SEE SHEET 1 EC NO: UCP2013-2402 DRWN: JB INGHAM 2012/12/12 CHKD: JLAURX 2012/12/12 APPR: JLAURX 2013/01/28	QUALITY SYMBOLS ▽=0 ▽=0 ▽=0	GENERAL TOLERANCES (UNLESS SPECIFIED)		DIMENSION STYLE MM ONLY	SCALE 2.5:1	DESIGN UNITS METRIC	THIRD ANGLE PROJECTION	
				DRAWN BY JB INGHAM	DATE 2010/04/29	TITLE IMPACT 3-PAIR 85-OHM UNGUIDED BACKPLANE SALES ASSEMBLY DRAWING		
				CHECKED BY JLAURX	DATE 2010/04/29			
				DRAFT WHERE APPLICABLE MUST REMAIN WITHIN DIMENSIONS		APPROVED BY JLAURX	DATE 2013/01/28	MATERIAL NO. SEE CHART
				DOCUMENT NO. SD-170525-0001		SHEET NO. 2 OF 3		
THIS DRAWING CONTAINS INFORMATION THAT IS PROPRIETARY TO MOLEX INCORPORATED AND SHOULD NOT BE USED WITHOUT WRITTEN PERMISSION								



IMPACT 3 PAIR
BOARD RELATIONSHIPS



SEE SHEET 1 EC NO: UCP2013-2402 DRWN: JBINGHAM 2012/12/12 CHKD: JLAURX 2012/12/12 APPR: JLAURX 2013/01/28	QUALITY SYMBOLS	GENERAL TOLERANCES (UNLESS SPECIFIED)	DIMENSION STYLE MM ONLY	SCALE 3:1	DESIGN UNITS METRIC	THIRD ANGLE PROJECTION
	▽=0	mm INCH	DRAWN BY DATE JBINGHAM 2010/04/29	TITLE IMPACT 3-PAIR 85-OHM UNGUIDED BACKPLANE SALES ASSEMBLY DRAWING		
	▽=0	4 PLACES ± --- ± ---	CHECKED BY DATE JLAURX 2010/04/29			
	▽=0	3 PLACES ± --- ± ---	2 PLACES ±0.13 ± ---	APPROVED BY DATE JLAURX 2013/01/28	MATERIAL NO. SEE CHART	
▽=0	2 PLACES ±0.13 ± ---	1 PLACE ±0.25 ± ---	DOCUMENT NO. SD-170525-0001	SHEET NO. 3 OF 3		
REV	DESCRIPTION	ANGULAR ± --- °	DRAFT WHERE APPLICABLE MUST REMAIN WITHIN DIMENSIONS			
		0 PLACE ± --- ± ---	THIS DRAWING CONTAINS INFORMATION THAT IS PROPRIETARY TO MOLEX INCORPORATED AND SHOULD NOT BE USED WITHOUT WRITTEN PERMISSION			