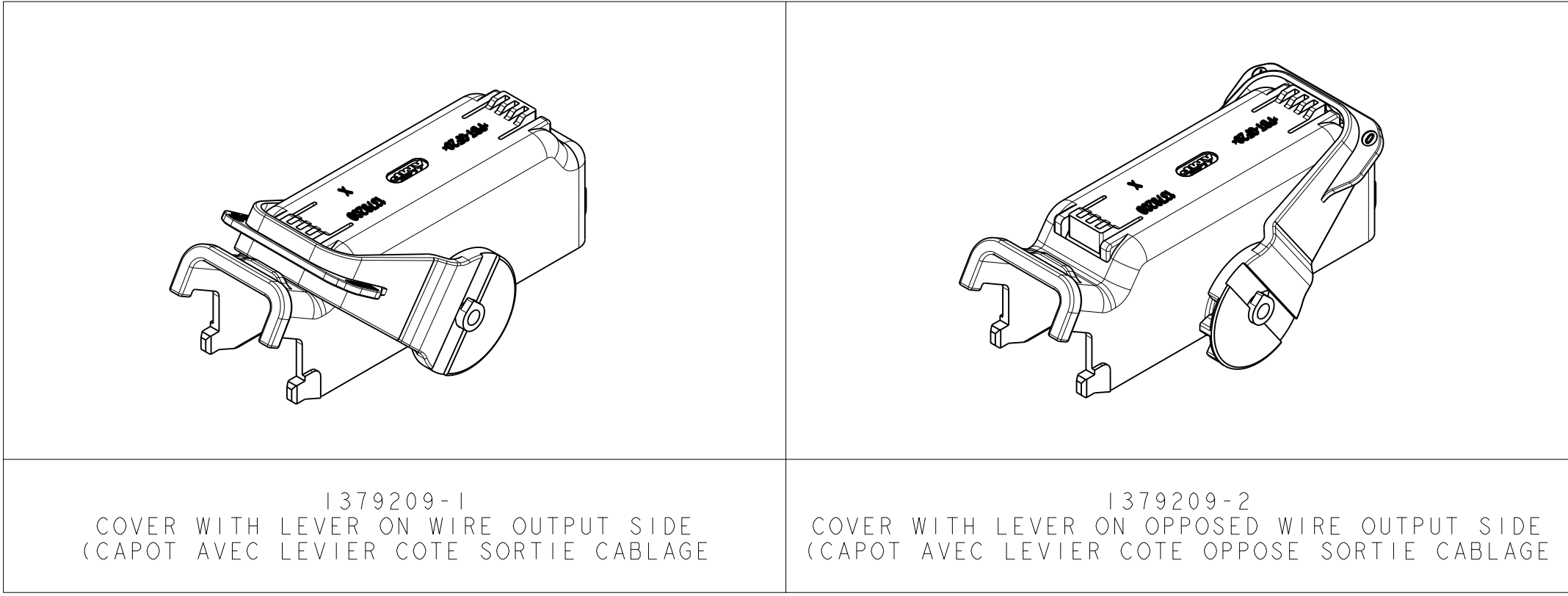


THIS DRAWING IS UNPUBLISHED. RELEASED FOR PUBLICATION 20  
 © COPYRIGHT 20 BY TYCO ELECTRONICS CORPORATION. ALL RIGHTS RESERVED.

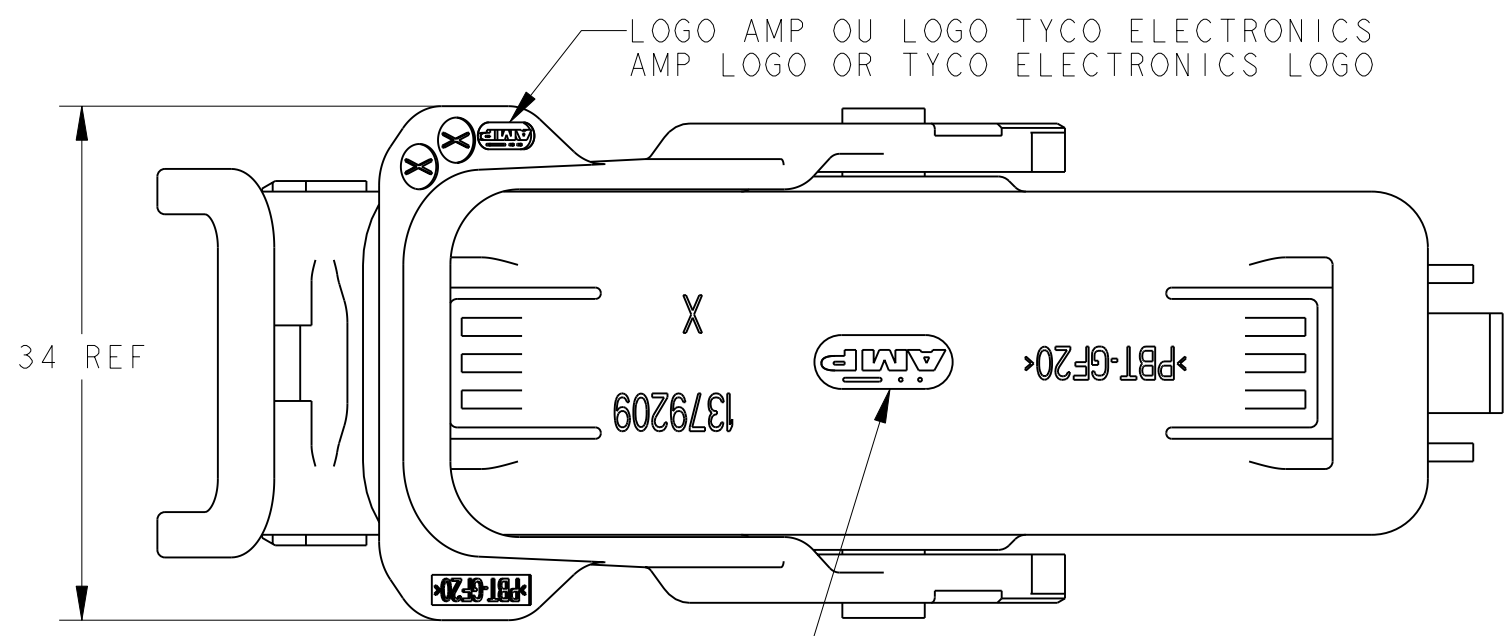
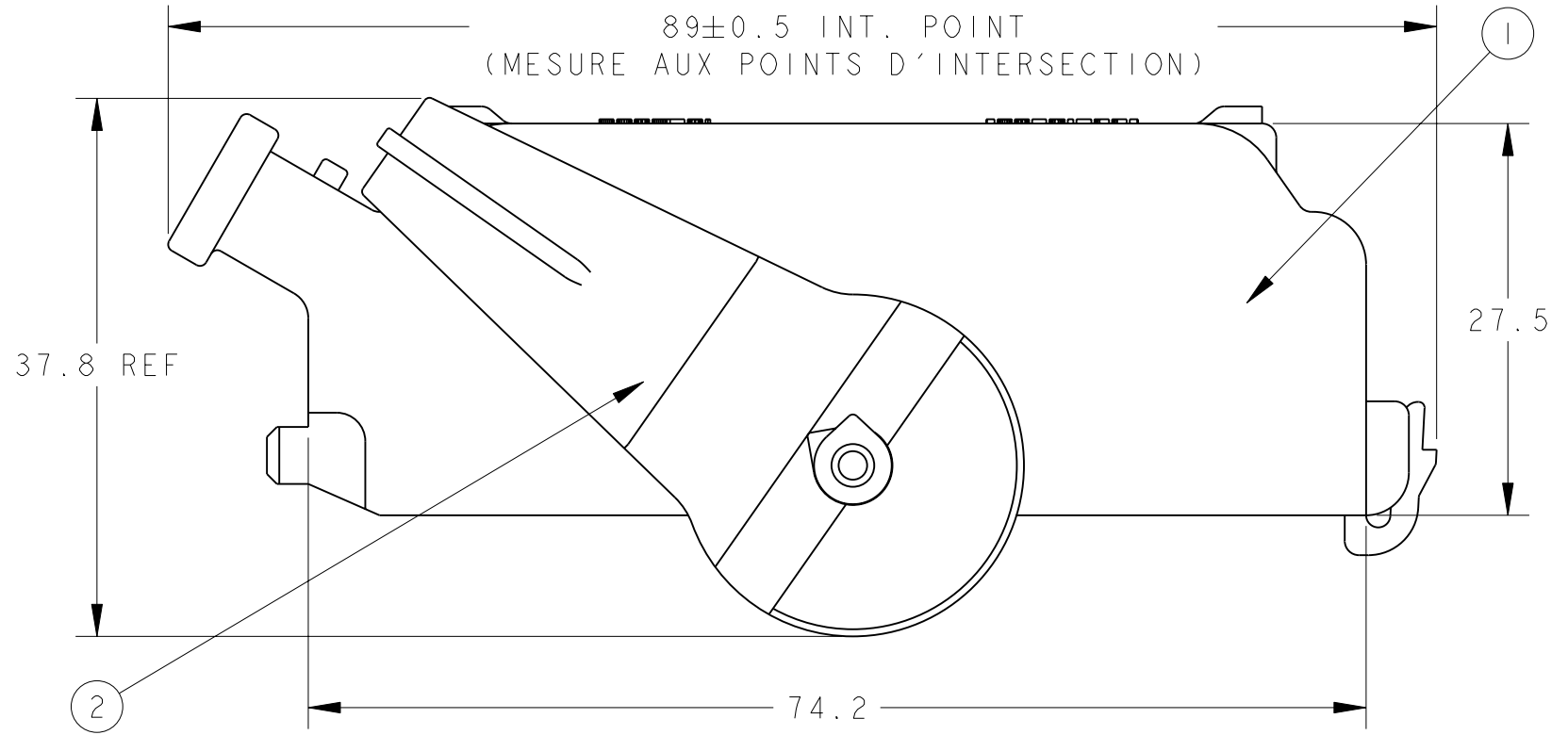
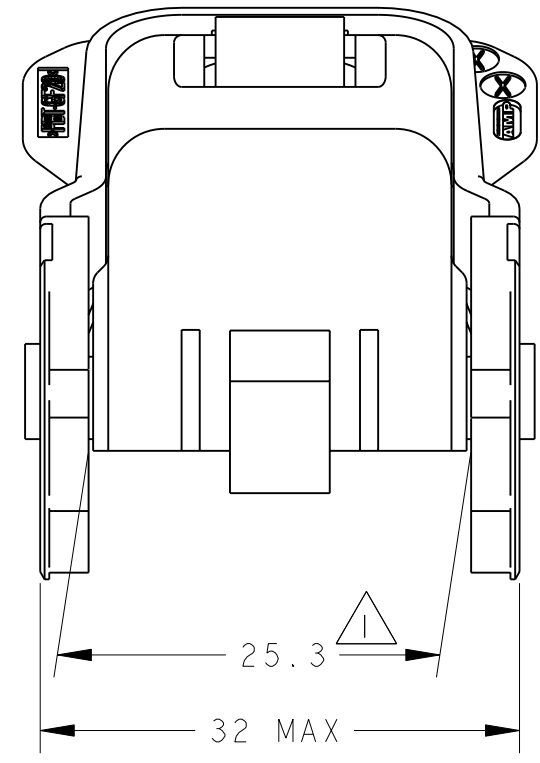
LOC	DIST	REVISIONS			
P	LTR	DESCRIPTION	DATE	DWN	APVD
E		CLARIFICATION OF DIMENSIONING	07OCT2008	DB	JJR
F		TYCO ELECTRONICS LOGO ADMISSIBLE	08JAN2010	DB	JJR

ECHELLE 1:1



1379209-1  
COVER WITH LEVER ON WIRE OUTPUT SIDE  
(CAPOT AVEC LEVIER COTE SORTIE CABLAGE)

1379209-2  
COVER WITH LEVER ON OPPOSED WIRE OUTPUT SIDE  
(CAPOT AVEC LEVIER COTE OPPOSE SORTIE CABLAGE)



LOGO AMP OU LOGO TYCO ELECTRONICS  
AMP LOGO OR TYCO ELECTRONICS LOGO

⚠ NIPPING ALLOWED : 1mm  
(PINCEMENT ADMISSIBLE : 1mm)

TO BE USED WITH RECEPTACLE HOUSING PN 1379208-X  
(A UTILISER AVEC PORTE-CLIPS REF. 1379208-X)

QTY	COLOR	MATERIAL	DESIGNATION	ITEM
1	YELLOW	PBT GF 20%	LEVER	2
1	BLACK	PBT GF 20%	COVER	1

1379209-X	
-2	-1

THIS DRAWING IS A CONTROLLED DOCUMENT FOR TYCO ELECTRONICS CORPORATION IT IS SUBJECT TO CHANGE AND THE CONTROLLING ENGINEERING ORGANIZATION SHOULD BE CONTACTED FOR THE LATEST REVISION.		DWN D. BANCE 04SEP2000	<b>tyco</b> AMP DE FRANCE	
DIMENSIONS: mm		CHK JP. PICAUD 04SEP2000	95301 PONTOISE	
TOLERANCES UNLESS OTHERWISE SPECIFIED: 0 PLC ± 1 PLC ± 2 PLC ±0.2 3 PLC ± 4 PLC ± ANGLES ±5°		APVD JJ. REVIL 04SEP2000	NAME 26 WAY COVER	
MATERIAL -		FINISH -	APPLICATION SPEC 108-15245	
		WEIGHT -	RESTRICTED TO -	
		CUSTOMER DRAWING	SIZE A2	CAGE CODE 00779
			DRAWING NO 1379209	REV F
			SCALE 2:1	SHEET 1 OF 1