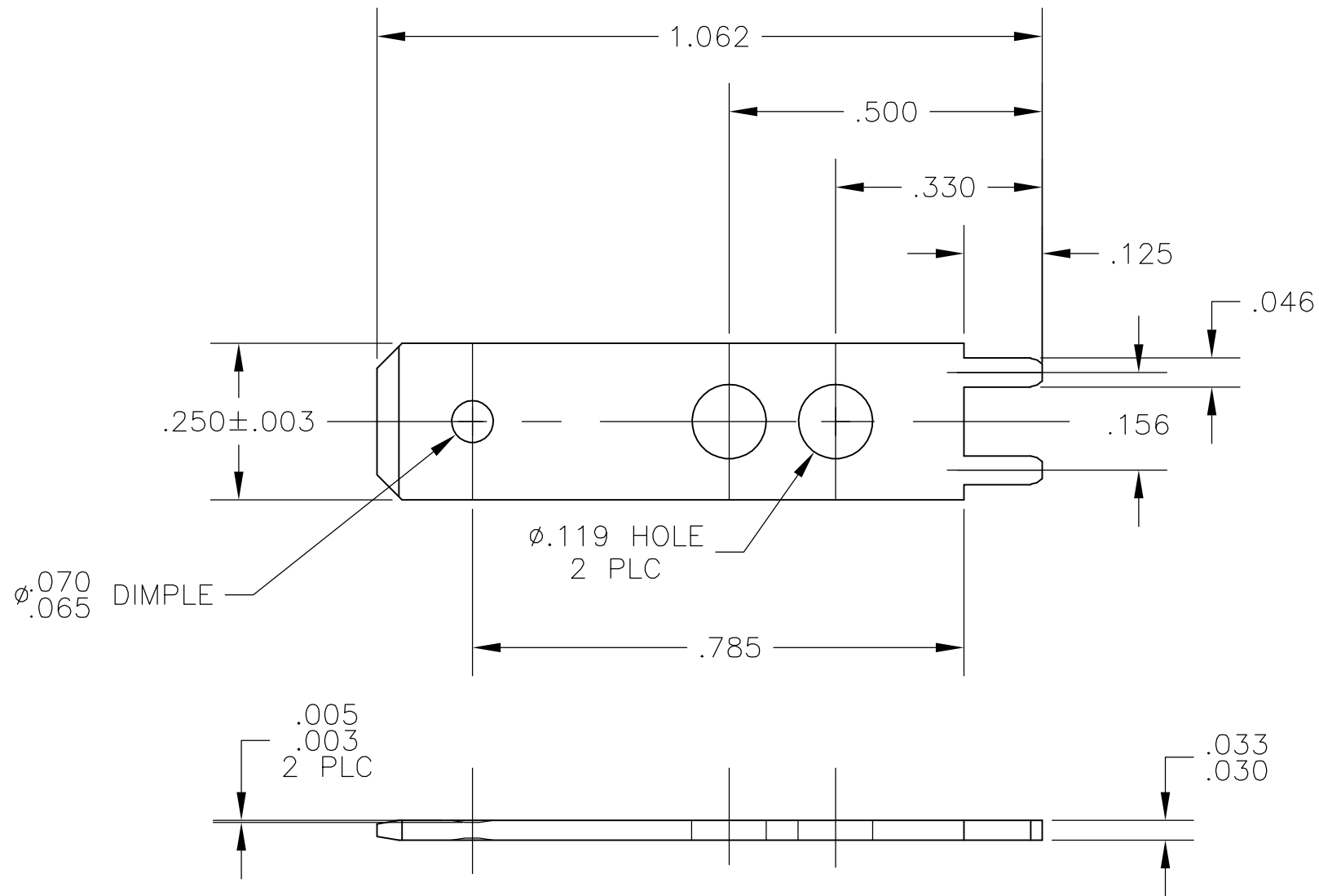


THIS DRAWING IS UNPUBLISHED. RELEASED FOR PUBLICATION
 © COPYRIGHT BY TYCO ELECTRONICS CORPORATION. ALL RIGHTS RESERVED.

LOC	DIST	REVISIONS					
AF	50	P	LTR	DESCRIPTION	DATE	DWN	APVD
		E		REV PER ECR-05-017407	14APR06	HMR	KR

1 SUPPLIED IN LOOSE PIECE



62262-1
PART NO.

THIS DRAWING IS A CONTROLLED DOCUMENT.		DWN JR RUTH 03APR01	Tyco Electronics Corporation Harrisburg, PA 17105-3608	
DIMENSIONS: INCHES		CHK MS FEHER 03APR01		
		APVD N DEIBERT 03APR01	NAME TAB, FASTON, .250 SERIES	
TOLERANCES UNLESS OTHERWISE SPECIFIED:		PRODUCT SPEC	RESTRICTED TO	
0 PLC ± - 1 PLC ± - 2 PLC ± - 3 PLC ± .015 4 PLC ± - ANGLES ± -		APPLICATION SPEC	SIZE A3	CAGE CODE 00779
MATERIAL 082 BRASS		FINISH TIN OVER COPPER	DRAWING NO G-62262	SCALE 4:1
		WEIGHT -	SHEET 1 OF 1	
		CUSTOMER DRAWING		REV E