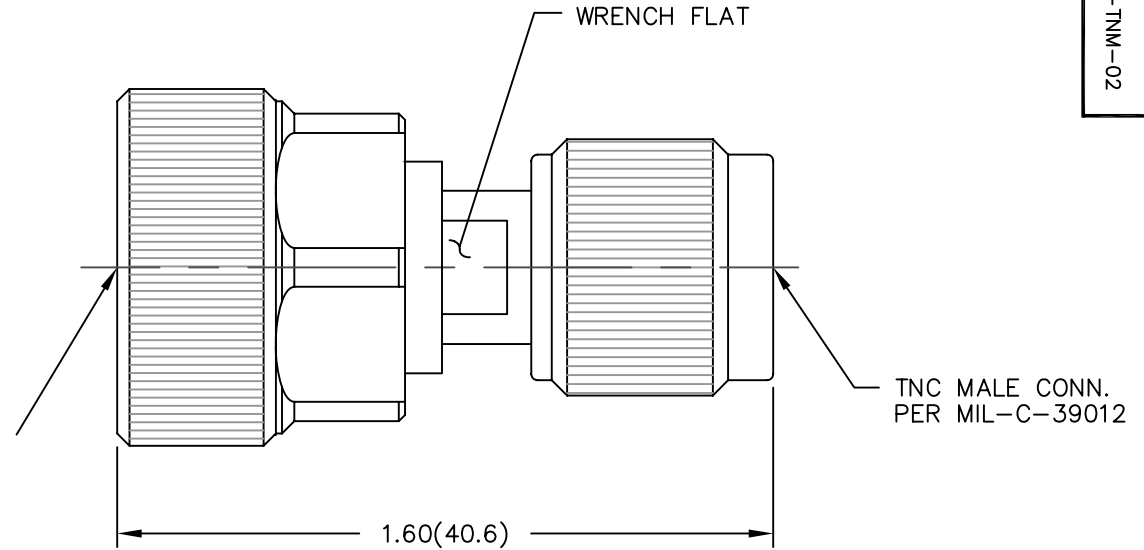


MODEL NUMBER  
ADT-2546-7M-TNM-02

NOTES:

- 1.0 MATERIALS:
  - 1.1 HOUSING: STAINLESS STEEL PER ASTM-A582, TYPE 303.
  - 1.2 CENTER CONTACT: BERYLLIUM COPPER ROD, ASTM-D1457. ALLOY C172, PER ASTM-B194.
  - 1.3 DIELECTRIC: PTFE FLUOROCARBON PER
- 2.0 PLATING:
  - 2.1 HOUSING: PASSIVATED PER MIL-F-14072 AND QQ-P-35
  - 2.2 CENTER CONTACT: GOLD PER MIL-G-45204, TYPE II, CLASS 2.
  - 2.3 7MM NUT: ELECTROPOLISH (BRIGHT POLISH)
- 3.0 ELECTRICAL SPECIFICATION:
  - 3.1 FREQUENCY RANGE: DC to 18.0 GHz
  - 3.2 VSWR (MAXIMUM): 1.02+.006f(GHz)
- 4.0 DIMENSIONS IN PARENTHESIS ARE IN MILLIMETERS

7MM CONNECTOR



DWG NO. WAS: 02386-01-00

| REV. | DESCRIPTION      | DATE    |
|------|------------------|---------|
| -    | RELEASED         | 7/31/78 |
| A    | ECR 6545         | 6/29/89 |
| B    | REDRAW ON CAD    | 3/31/92 |
| B1   | ADDED TITLEBLOCK | 3/9/05  |

NOTICE: The information contained in this drawing is proprietary and must not be used without the permission of Emerson Network Power.

UNLESS OTHERWISE NOTED DIMENSIONS ARE IN INCHES AND TOLERANCES ARE:  
 3 PLACE DECIMALS ±.005  
 2 PLACE DECIMALS ±.02  
 FRACTIONS ±1/64  
 PARALLELITY: T.I.R. \_\_\_\_\_  
 FLATNESS: T.I.R. \_\_\_\_\_  
 CONCENTRICITY: T.I.R. \_\_\_\_\_  
 ANGLES AND PERPENDICULARITY: ±1'

|   |                     |   |              |
|---|---------------------|---|--------------|
| CAGE CODE<br><b>34078</b>                                     |                     | <b>MIDWEST MICROWAVE</b>                |              |
| <br><b>EMERSON</b><br>Network Power<br>Connectivity Solutions |                     | TITLE<br><br>ADAPTER<br>OUTLINE DRAWING |              |
|   |                     | DRAWING NUMBER<br>ADT-2546-7M-TNM-02-01 | REV.<br>B1   |
| DRAWN/DATE<br>A.BEATTY<br>3/31/92                             | ENG./DATE<br>A.OSGA | SCALE: 5=1                              | SHEET 1 of 1 |