

DESCRIPTION: 15 POS - HIGH DENSITY - FEMALE - SLIM - RIGHT ANGLE

MATERIAL/FINISH:

UNITS = INCHES [MM]

- SHELL: SPCC, NICKEL PLATED
- BRACKET: BRASS, NICKEL PLATED
- INSULATOR: PBT OR PA9T, UL 94V-0, BLACK,
- PROCESS TEMP: 230°C for 3 seconds (PBT), 2 CYCLES
260°C for 5 seconds (PA9T), 2 CYCLES
- CONTACT: BRASS, TIN PLATED
30u" GOLD PLATED - MATING AREA
BRIGHT TIN - TERMINATING AREA
- BOARDLOCK: COPPER ALLOY, TIN PLATED
- RIVET: COPPER ALLOY, NICKEL PLATED

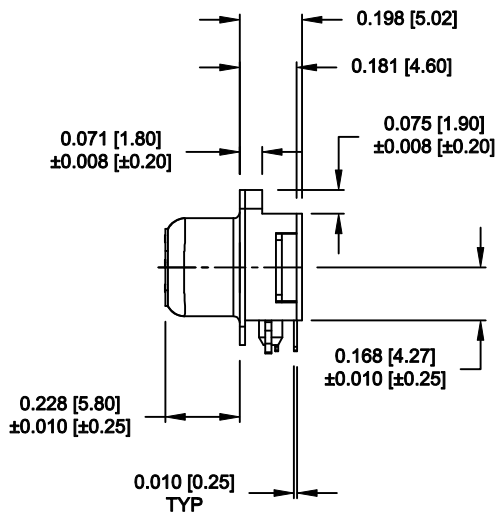
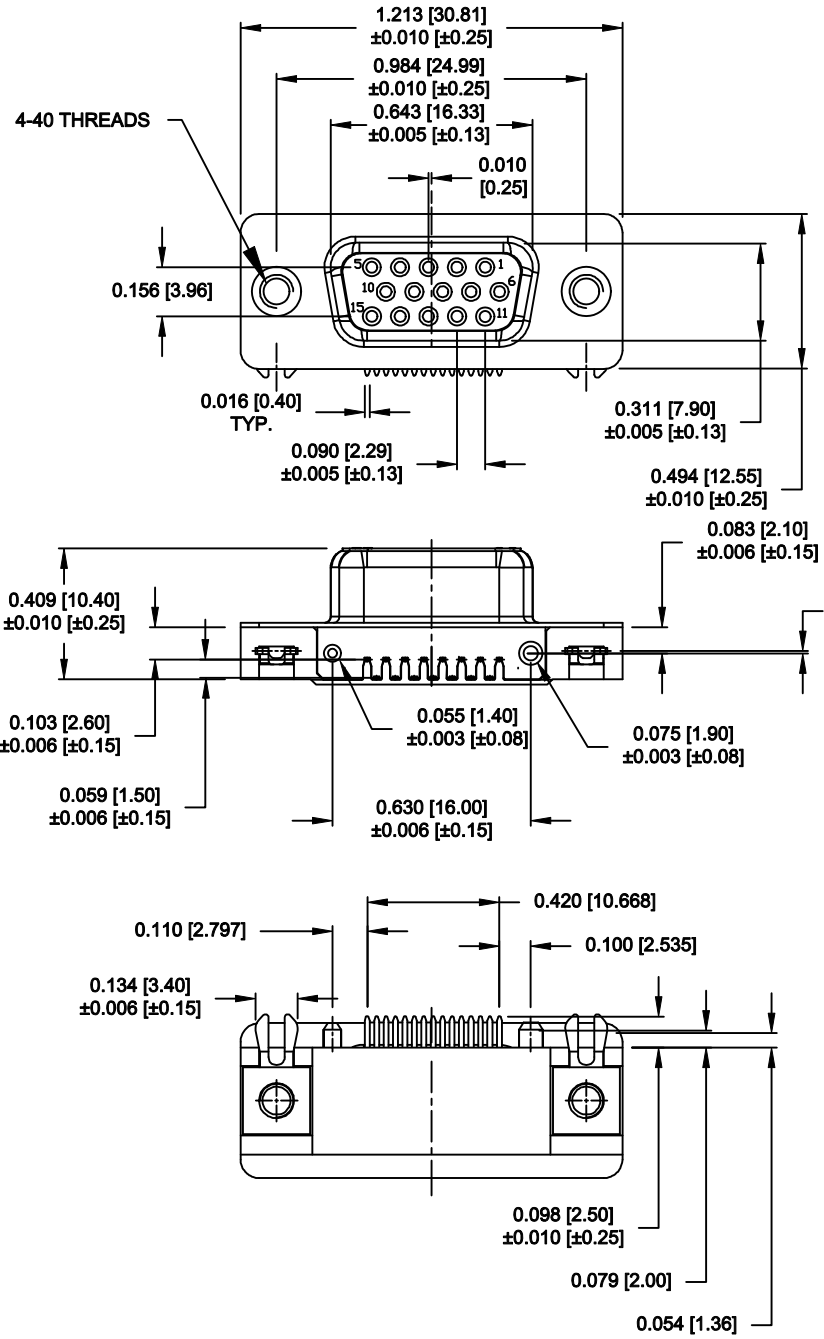
ELECTRICAL:

- RATED CURRENT: 3 AMPS
- RATED VOLTAGE: 250 VAC (rms) MAX.
- WITHSTANDING VOLTAGE: 500 VAC (rms) FOR 1 Min.
- INSULATION RESISTANCE: 1,000 MOhms MIN.
- CONTACT RESISTANCE: 25 mOhms Max.
- OPERATING TEMPERATURE: -55° ~ +85° C

- TOTAL MATING FORCE: 6.0 Kgf MAX.
- TOTAL UNMATING FORCE: 1.2 Kgf MIN.

200-015-2 1 3 L Y Y Y

- SERIES
- No. of POSITIONS
- GENDER
- 2 = FEMALE
- TERMINATION
- 1 = PC MOUNT
- SHELL PLATING
- 3 = NICKEL
- INSULATOR MATERIAL
- L = PBT
- R = PA9T
- HARDWARE OPTIONS
- SEE PAGE 2
- PLATING OPTIONS
- 7 = GOLD FLASH (MATING AREA)
- BRIGHT TIN (SOLDER TAILS)
- 9 = 30u" GOLD (MATING AREA)
- BRIGHT TIN (SOLDER TAILS)



DO NOT SCALE FROM DRAWING

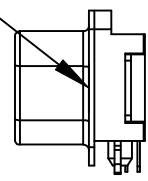
RoHS COMPLIANT

	THESE DRAWINGS AND SPECIFICATIONS ARE THE PROPERTY OF NorComp AND SHALL NOT BE REPRODUCED, COPIED OR USED AS THE BASIS FOR THE MANUFACTURE OR SALE OF APPARATUS WITHOUT WRITTEN PERMISSION.		DRAWN: M. SIGMON	DATE: 10-26-16
			CHECKED:	DATE:
NorComp		SCALE: 1.5 : 1	SHEET 1	OF 2
		DWG NO. 200-015-213LYYY		

HARDWARE OPTIONS

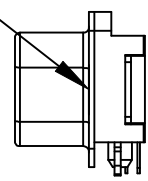
Ø0.120 [Ø3.05]
HOLE IN FLANGE

00 OPTION



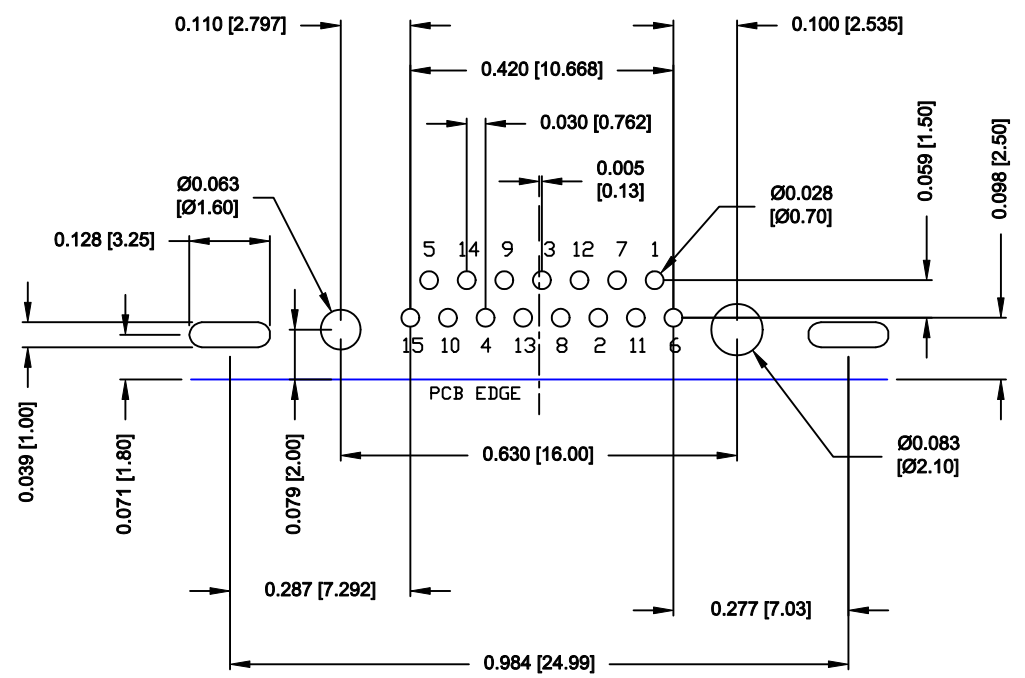
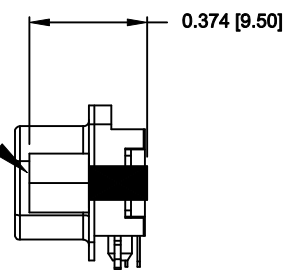
4-40 THREADED HOLE

53 OPTION



4-40 SCREWLOCK
(0.228 [5.80] x 0.374 [9.50])

56 OPTION



P.C.B. LAYOUT

TOLERANCE = ±0.002 [±0.05]
SCALE = 3 : 1

DO NOT SCALE FROM DRAWING



THESE DRAWINGS AND SPECIFICATIONS ARE THE PROPERTY OF NorComp AND SHALL NOT BE REPRODUCED, COPIED OR USED AS THE BASIS FOR THE MANUFACTURE OR SALE OF APPARATUS WITHOUT WRITTEN PERMISSION.

DRAWN: M. SIGMON	DATE: 10-26-16
CHECKED:	DATE:

RoHS COMPLIANT

NorComp

SCALE: 2 : 1	SHEET 2	OF 2	REV 2
DWG NO. 200-015-213LYYY			