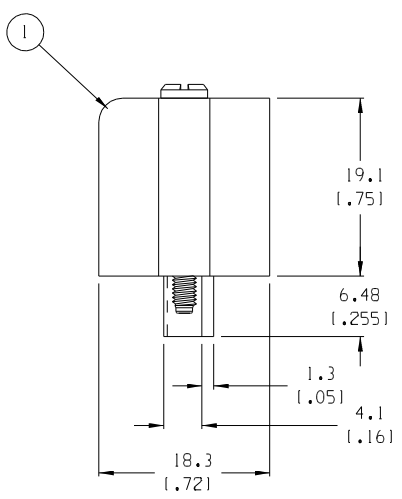
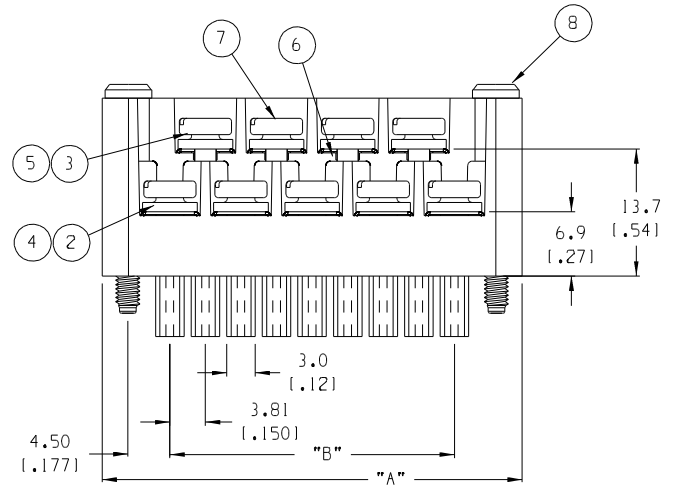


AUXILIARY VIEWS  
SCALE 1:1



MATERIAL NO.	MATERIAL NO. (-G30 OPT.)	NO. OF CIRC. "XX"	"A"	"B"	"C"
399300403		03	22.1 (.87)	7.62 (.300)	16.5 (.65)
399300404		04	25.9 (1.02)	11.43 (.450)	20.3 (.80)
399300405		05	29.7 (1.17)	15.24 (.600)	24.1 (.95)
399300406		06	33.5 (1.32)	19.05 (.750)	27.9 (1.10)
399300407		07	37.3 (1.47)	22.86 (.900)	31.8 (1.25)
399300408		08	41.2 (1.62)	26.67 (1.050)	35.6 (1.40)
399300409		09	45.0 (1.77)	30.48 (1.200)	39.4 (1.55)
399300410		10	48.8 (1.92)	34.29 (1.350)	43.2 (1.70)
399300411		11	52.6 (2.07)	38.10 (1.500)	47.0 (1.85)
399300412	399310412	12	56.4 (2.22)	41.91 (1.650)	50.8 (2.00)
399300413		13	60.2 (2.37)	45.72 (1.800)	54.6 (2.15)
399300414		14	64.0 (2.52)	49.53 (1.950)	58.4 (2.30)
399300415		15	67.8 (2.67)	53.34 (2.100)	62.2 (2.45)
399300416		16	71.6 (2.82)	57.15 (2.250)	66.0 (2.60)
399300417		17	75.4 (2.97)	60.96 (2.400)	69.9 (2.75)
399300418	399310418	18	79.3 (3.12)	64.77 (2.550)	73.7 (2.90)
399300419		19	83.1 (3.27)	68.58 (2.700)	77.5 (3.05)
399300420		20	86.9 (3.42)	72.39 (2.850)	81.3 (3.20)
399300421	399310421	21	90.7 (3.57)	76.20 (3.000)	85.1 (3.35)

NOTES:

1. MATERIAL: SEE TABLE
2. FINISHES: SEE TABLE
3. PRODUCT SPECIFICATION: NOT REQUIRED
4. PACKAGING: NOT REQUIRED
5. MATES WITH: BEAU 90 SERIES, 3.81mm HEADER & EQUIVALENT PARTS
6. "XX" REFERS TO THE QUANTITY OF CIRCUITS

ITEM	QTY. (EVEN NO. OF CIRCUITS)	QTY. (ODD NO. OF CIRCUITS)	DESCRIPTION	MATERIAL	FINISH
8	2	2	SCREW, MOUNTING, M2.5X.450	STEEL	ZN, YELLOW CHROMATE
7	XX	XX	SCREW, M3.5X.280	STEEL	ZN, YELLOW CHROMATE
6	XX	XX	NUT, M3.5, HEX	STEEL	ZN, YELLOW CHROMATE
5	XX/2	(XX+1)/2	REAR ROW TERMINAL (-G30 OPT.)	PHOS. BRONZE	SELECTIVE GOLD
4	XX/2	(XX+1)/2	FRONT ROW TERMINAL (-G30 OPT.)	PHOS. BRONZE	SELECTIVE GOLD
3	XX/2	(XX+1)/2	REAR ROW TERMINAL	PHOS. BRONZE	HOT TIN DIP
2	XX/2	(XX+1)/2	FRONT ROW TERMINAL	PHOS. BRONZE	HOT TIN DIP
1	1	1	BARRIER	THERMOPLASTIC	BLACK

ODD CIRCUIT CONFIGURATION SHOWN

EC NO. 11648 DRAWN: RK 8-23-05 CHK: K: APPR:	QUALITY SYMBOLS MAJOR CRITICAL SPC S	GENERAL TOLERANCES: (UNLESS SPECIFIED) mm      INCH 4 PLACES ±.038      ±.0015 3 PLACES ±.038      ±.005 2 PLACES ±.13      ±.01 1 PLACE ±.3 ANGULAR: ±2°	SCALE 2:1 DESIGN UNITS <input type="checkbox"/> mm <input checked="" type="checkbox"/> INCH	THIRD ANGLE PROJECTION <input checked="" type="checkbox"/> INCH <input type="checkbox"/> mm ONLY	DRAWN BY & DATE C. YORK 03-22-04	TITLE: PLUG, RWE, 3.81MM EUROMATE ASSY, -E MOLEX INCORPORATED	
			CHECKED BY & DATE R. KEMP 03-22-04	APPROVED BY & DATE GHR 03-22-04			
			CAD FILENAME 9368XX	MATERIAL NO. SEE CHART	DRAWING NO. SD-39930-001		SHEET NO. 1 OF 1
			DRAFT WHERE APPLICABLE MUST REMAIN WITHIN DIMENSIONS				THIS DRAWING CONTAINS INFORMATION THAT IS PROPRIETARY TO MOLEX INCORPORATED AND SHOULD NOT BE USED WITHOUT WRITTEN PERMISSION.