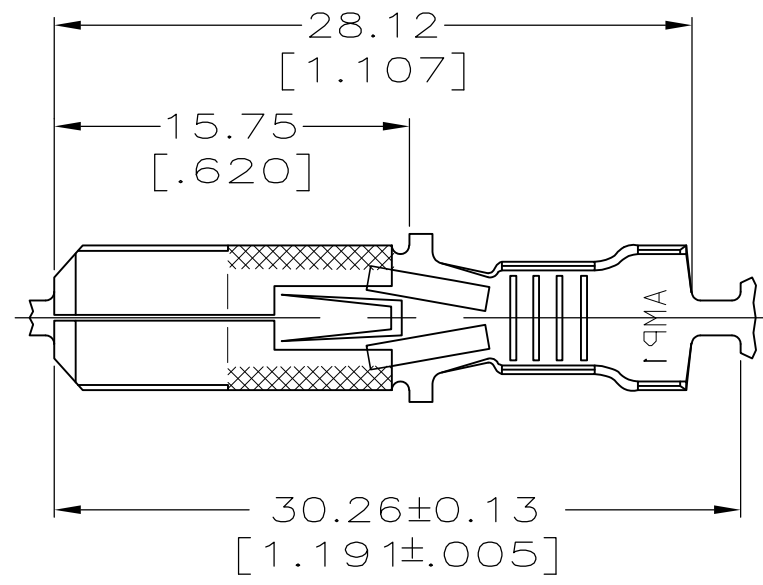
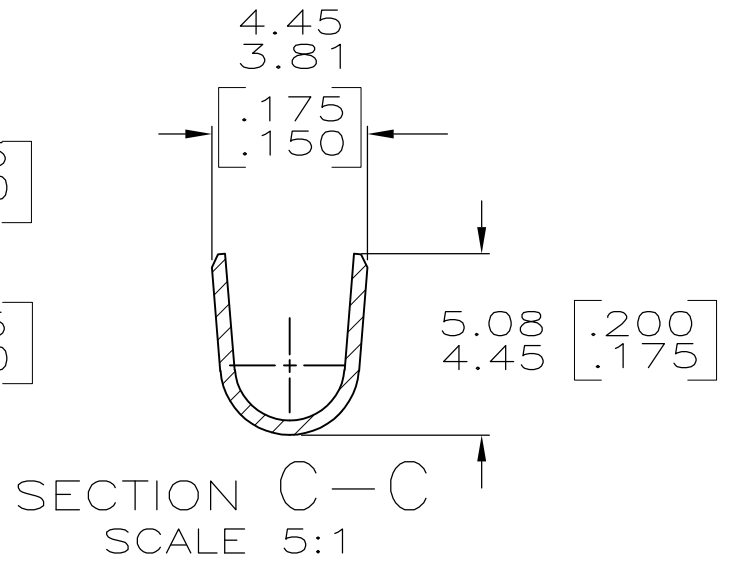
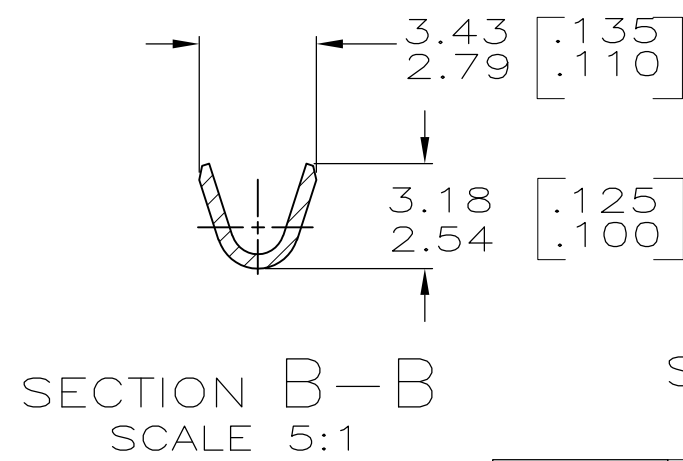
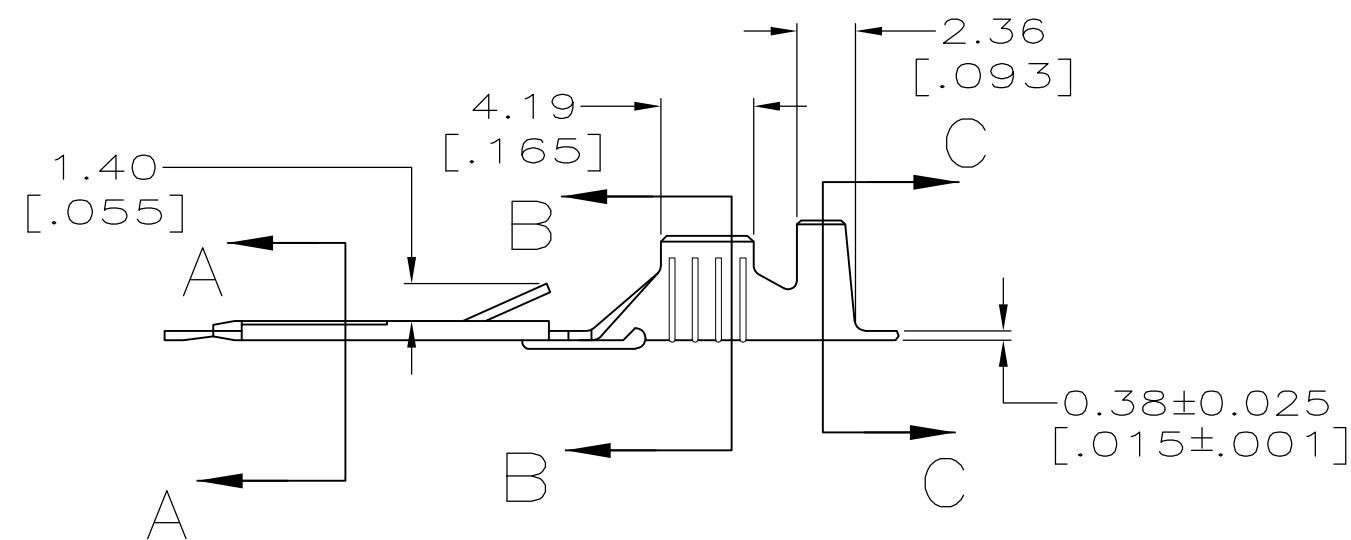
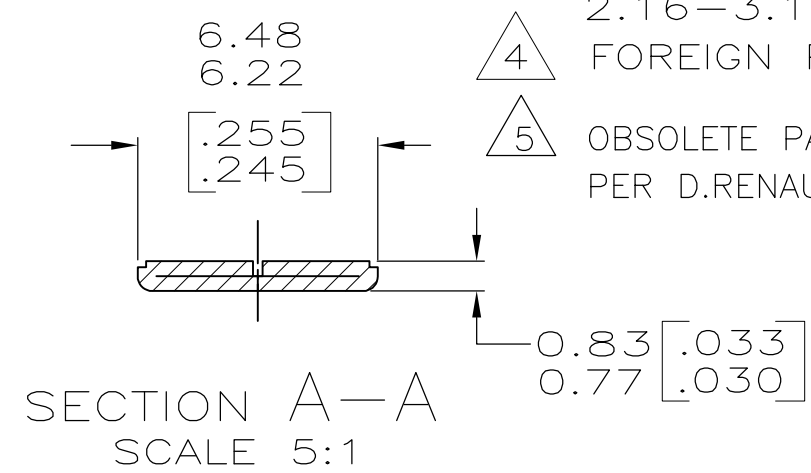


THIS DRAWING IS UNPUBLISHED. RELEASED FOR PUBLICATION
 © COPYRIGHT BY TYCO ELECTRONICS CORPORATION. ALL RIGHTS RESERVED.

LOC	DIST	REVISIONS			
P	LTR	DESCRIPTION	DATE	DWN	APVD
AF	50	R	REV PER ECR 05-017609	27MAR06	JR KR
		R1	REVISED PER ECO-09-021826	21AUG09	KK AEG



- 1 CONTINUOUS STRIP ON REELS.
- 2 WIRE SIZE TO BE [#22-#18] AWG.
- 3 INSULATION RANGE TO BE 2.16-3.18 [.085-.125] DIA.
- 4 FOREIGN PRODUCTION ONLY.
- 5 OBSOLETE PARTS: OBSOLETE CIS STREAMLINING PER D.RENAUD/D.SINISI



OBSOLETE	TIN	-60294-9	4
	PRE-TIN	-60294-4	4
	TIN	60294-2	
	-	60294-1	
	FINISH	PART NO.	

TYPE	WIDTH	STRIP LENGTH	TYPE	WIDTH	HEIGHT	WIRE
F	3.56 [.140]	5.59 [.220]	F	2.29 [.090]	1.30 [.051]	[#18]
					1.19 [.047]	[#20]
					1.14 [.045]	[#22]
INSUL BARREL CRIMP		±0.38 ±[.015]	WIRE BARREL CRIMP		±0.051 [.002]	

THIS DRAWING IS A CONTROLLED DOCUMENT.		DWN	JR RUTH	5/1/96	Tyco Electronics Corporation Harrisburg, Pa 17105-3608				
DIMENSIONS: mm		CHK	MS FEHER	5/1/96					
TOLERANCES UNLESS OTHERWISE SPECIFIED:		APVD	J GILLESPIE	5/1/96	NAME				
0 PLC ± - 1 PLC ± - 2 PLC ± 0.38 [.015] 3 PLC ± - 4 PLC ± - ANGLES ± -		PRODUCT SPEC		TAB, FASTIN-FASTON, 6.35 [.250] SERIES					
MATERIAL		APPLICATION SPEC		SIZE					
082 BRASS		114-2025		CAGE CODE		RESTRICTED TO			
FINISH		WEIGHT		DRAWING NO					
SEE TABLE		-		A3 00779 C-60294					
CUSTOMER DRAWING				SCALE	5:1	SHEET	1 OF 1	REV	R1