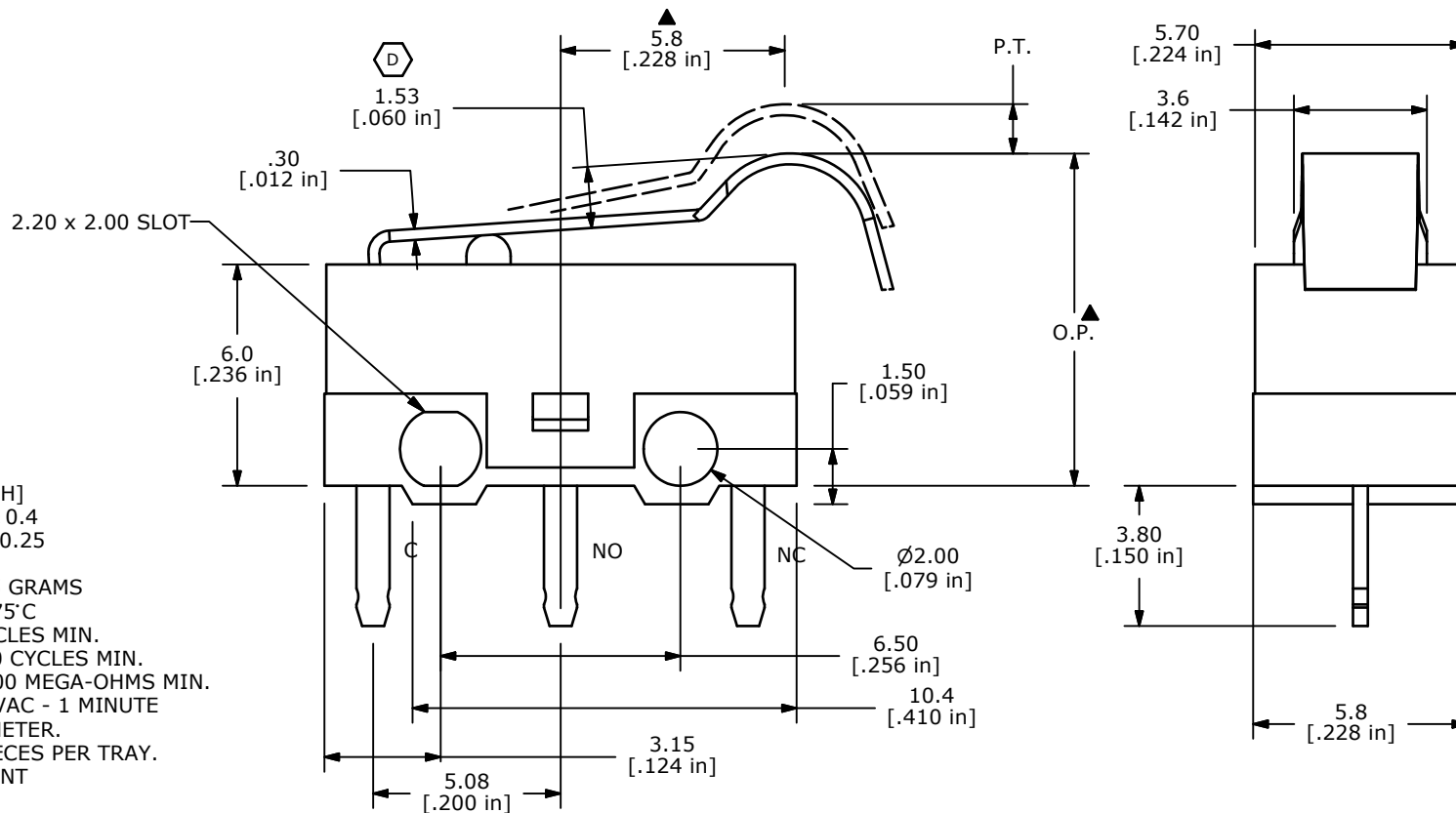


O.P. (MM)	P.T. (MM)
9.65 ± 0.8	1.35 MAX.

O.P. = OPERATING POINT  
P.T. = PRE-TRAVEL

- NOTES:
- ALL DIMENSIONS IN MM [INCH]
  - GENERAL TOLERANCE: X.X=± 0.4  
X.XX=± 0.25
  - RATING: 0.1A @5VDC
  - ▲ OPERATING FORCE: 30 TO 55 GRAMS
  - ▲ OPERATING TEMP: -25°C TO 75°C
  - ELECTRICAL LIFE: 10,000 CYCLES MIN.
  - MECHANICAL LIFE: 1,000,000 CYCLES MIN.
  - INSULATION RESISTANCE: 100 MEGA-OHMS MIN.
  - DIELECTRIC STRENGTH: 500VAC - 1 MINUTE
  - ▲ DENOTES CRITICAL PARAMETER.
  - ▲ PACKAGED IN TRAYS, 120 PIECES PER TRAY.
  - 2002/95/EC (ROHS) COMPLIANT



REV	PCR NO	DESCRIPTION	DATE	BY
G	21624	CHG NOTE 3 TO 5VDC	10/14/14	AS
F	20588	FORCE WAS 50+/-10 GRAMS	05/03/12	DRG
E	18499	OPERATING FORCE TOLERANCE CHANGE	4/23/09	BLR
D	18493	DIM FOR ACTUATOR ADDED	4/21/09	BLR
C	18157	REMOVE CE APPROVED FROM NOTES	6/24/08	BLR



TITLE SS075Q103F050P1A

THE INFORMATION CONTAINED IN THIS DOCUMENT IS PROPRIETARY TO E-SWITCH AND IS NOT TO BE COPIED OR TRANSFERRED

SCALE	DATE	DR	DWG	REV
4:1	4/21/2009	BLR	Q971012	G