

DWG. NO.	032-7680		
REVISIONS			
SYM.	E.C.N.	DATE	APVD.
A	24281	6/13/00	
REVISED & UPDATED			
B	24814	5/3/02	
REVISED & UPDATED			
C	24951	10/17/02	
NEW MOTOR			

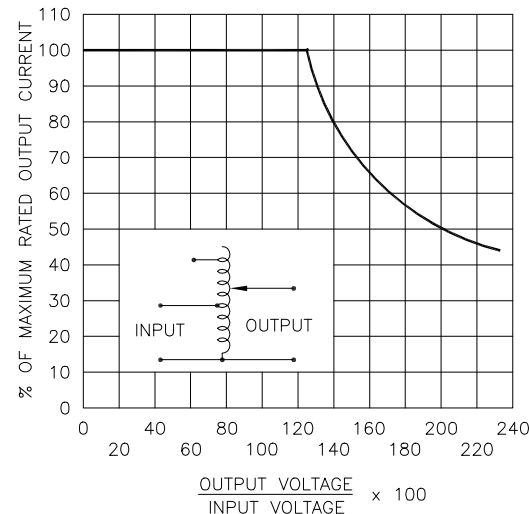
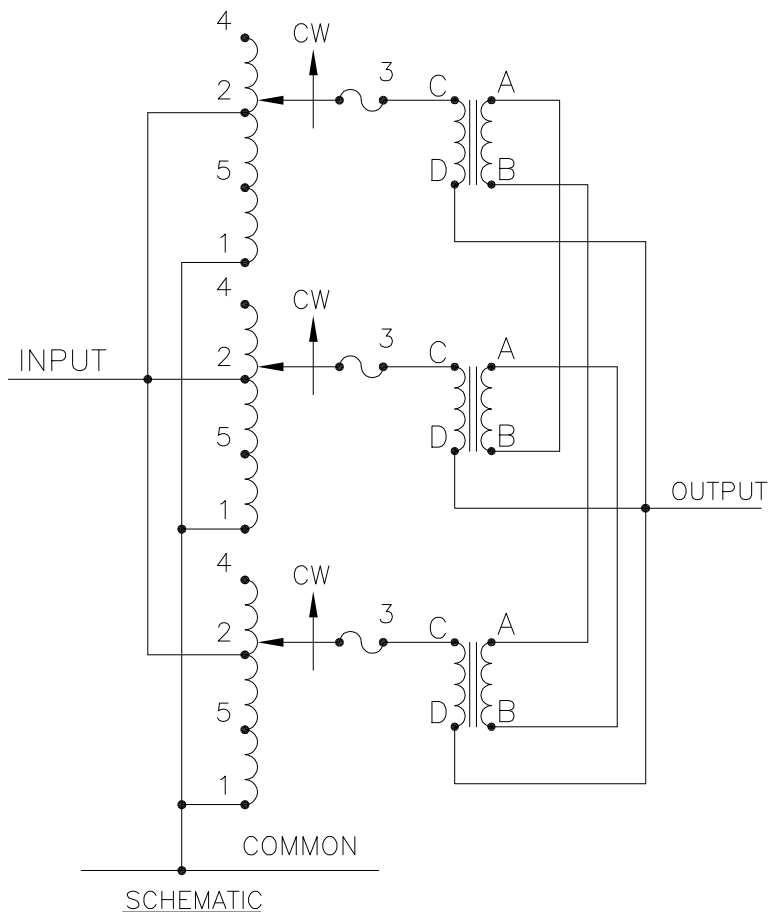
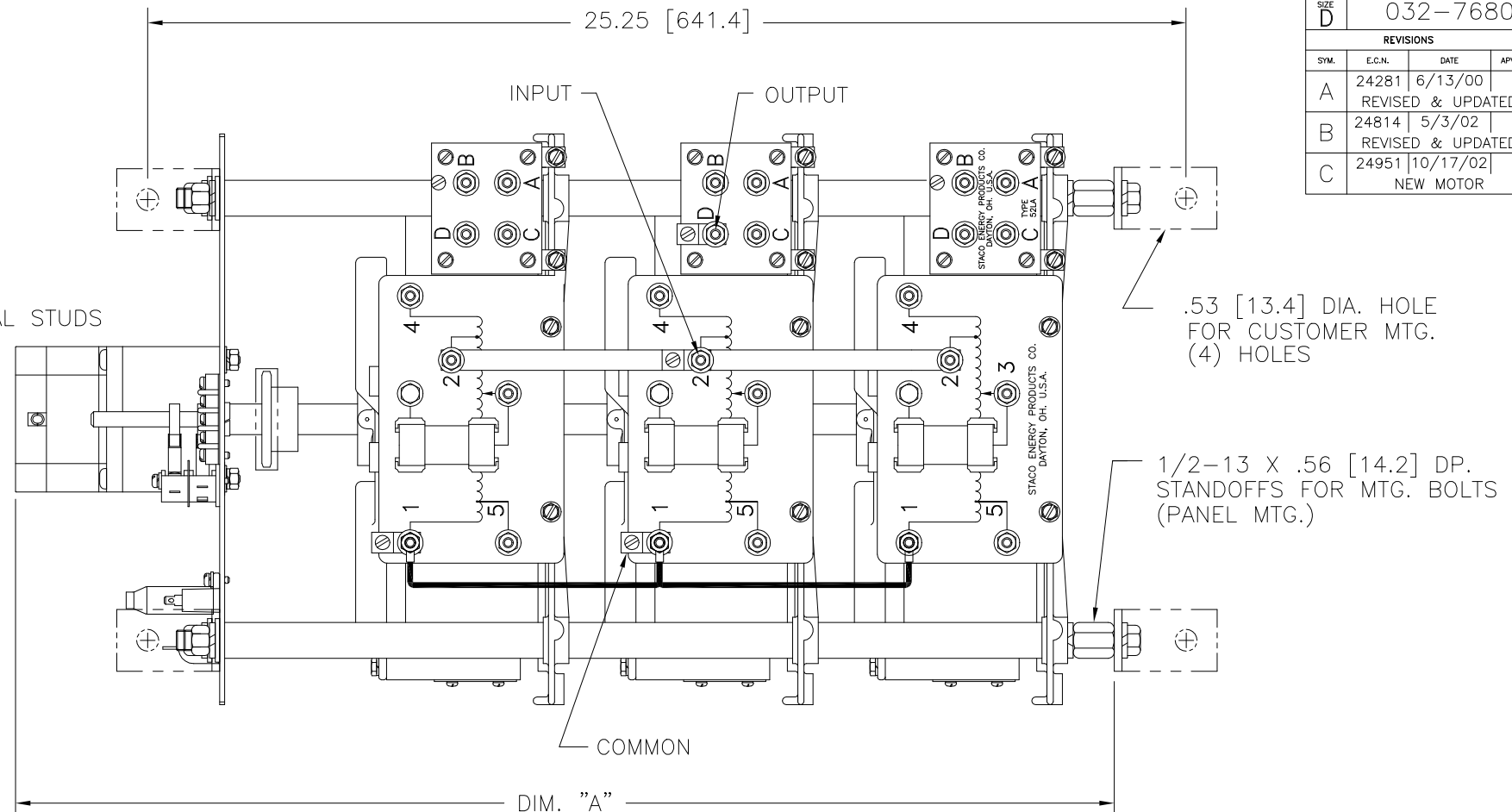
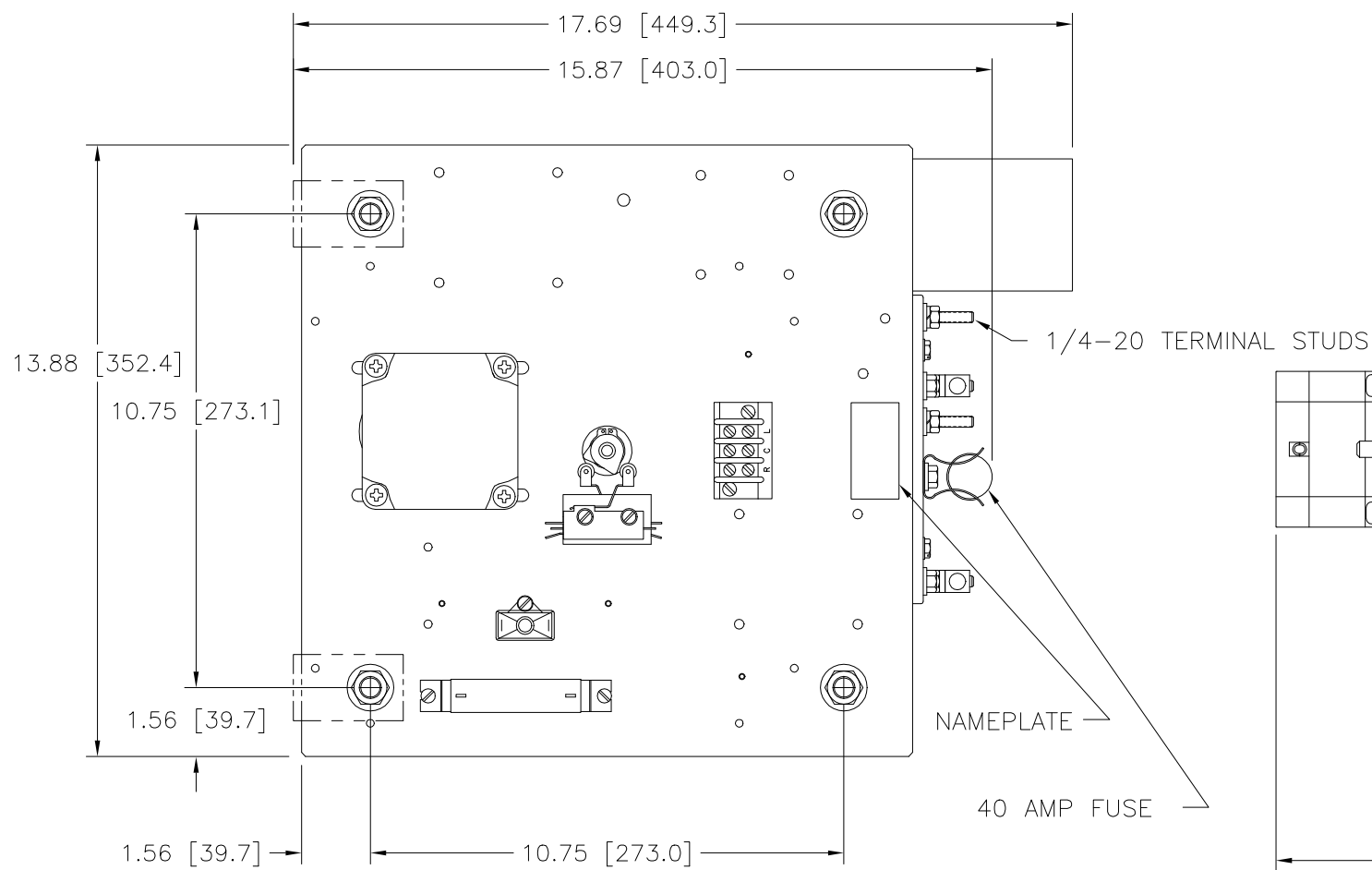
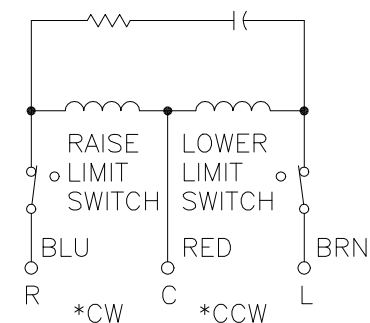


FIGURE A
 MAXIMUM OUTPUT CURRENT OF ANY DUAL INPUT VOLTAGE OR VOLTAGE DOUBLER UNIT OPERATED AT LOWER INPUT VOLTAGE.

* MAXIMUM OUTPUT CURRENT IN OUTPUT VOLTAGE RANGE FROM 0 TO 25% ABOVE LINE VOLTAGE. AT HIGHER OUTPUT VOLTAGES, OUTPUT CURRENT MUST BE REDUCED ACCORDING TO RATING CURVE, FIGURE A.

‡ MAXIMUM KVA AT MAXIMUM OUTPUT AND CORRESPONDING DE-RATED CURRENT. MAXIMUM KVA AT LOWER OUTPUT VOLTAGES MAY BE CALCULATED FROM RATING CURVE, FIGURE A.

V.D. = VOLTAGE DOUBLER.



120V, 50/60 HZ.
 * ROTATION AS VIEWED FROM MOTOR END
 SPEED: SEE CHART

MOTOR CIRCUIT

SPEED (SECONDS)	MODEL NUMBER	DIM "A"
5	5M6020-3P	25.56 [649.2]
15	15M6020-3P	26.71 [678.5]
30	30M6020-3P	26.71 [678.5]
60	60M6020-3P	26.71 [678.5]

WIRING	INPUT		OUTPUT		SHAFT ROTATION FOR VOLTAGE INCREASE	TERMINAL CONNECTIONS FOR INCREASING VOLTAGE AS VIEWED FROM TOP		
	VOLTS	HERTZ	VOLTS	CONSTANT CURRENT LOAD		INPUT	OUTPUT	
				MAX. AMPS				MAX. KVA
SINGLE PHASE PARALLEL	240	50/60	0-240	105	25.2	CW	1-4 1-D	
			0-280	105	29.4	CW	1-2 1-D	
	120	50/60	0-280	105-45 V.D.	12.6 ‡	CW	1-5 1-D	

UNLESS OTHERWISE SPECIFIED, TOLERANCE IS ± DECIMALS .XX HOLES .0002-12 .0002 .03 ANGLES DRAFT 1°-1/2° UNITS IN [mm] TITLE: SPEC. CONTROL DRAWING VARIABLE MOTORIZED XFMR. TYPE: M6020-3P

MATERIAL: ALL DIMENSIONS APPLY AFTER PLATING

STACO ENERGY PRODUCTS CO. A Components Corporation of Ametec Company 302 South Boulevard Dayton, Ohio 45403 USA

DRAWN BY	DATE	FIRST USED ON	DO NOT SCALE DWG.
TIM RAU	3/11/98		
CHECKER	DATE	WEIGHT APPROX.	CAGE CODE
		267 LBS.	83008
ENGINEER	DATE	SCALE	DWG. NO.
		.5=1 SHEET 1 OF 1	D 032-7680