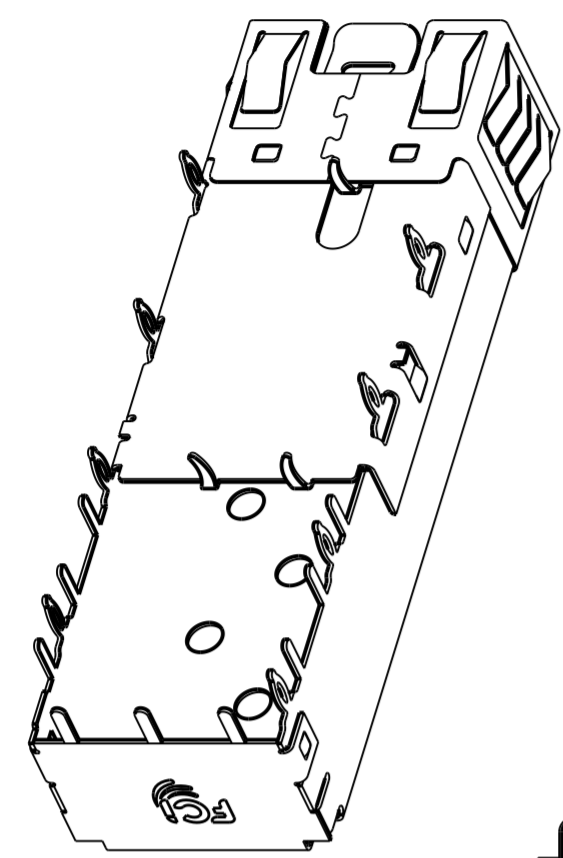
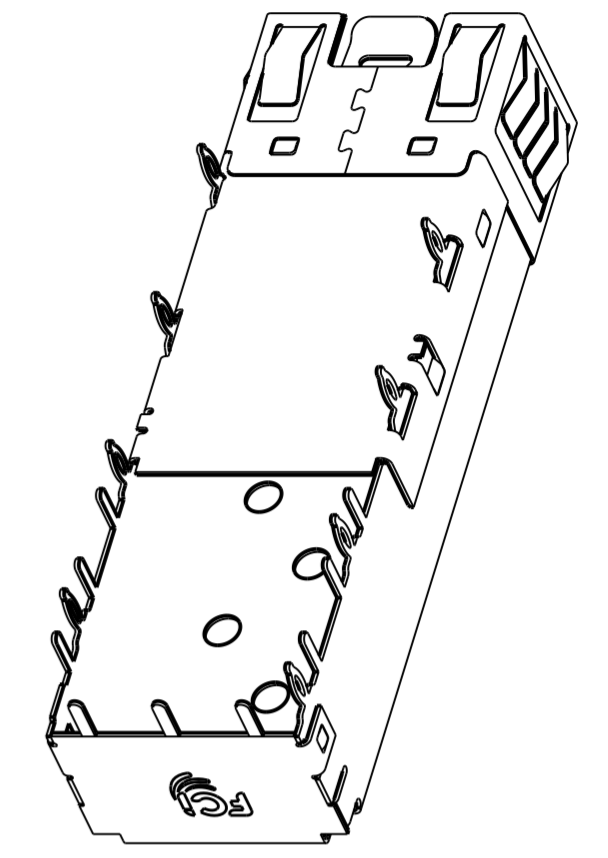
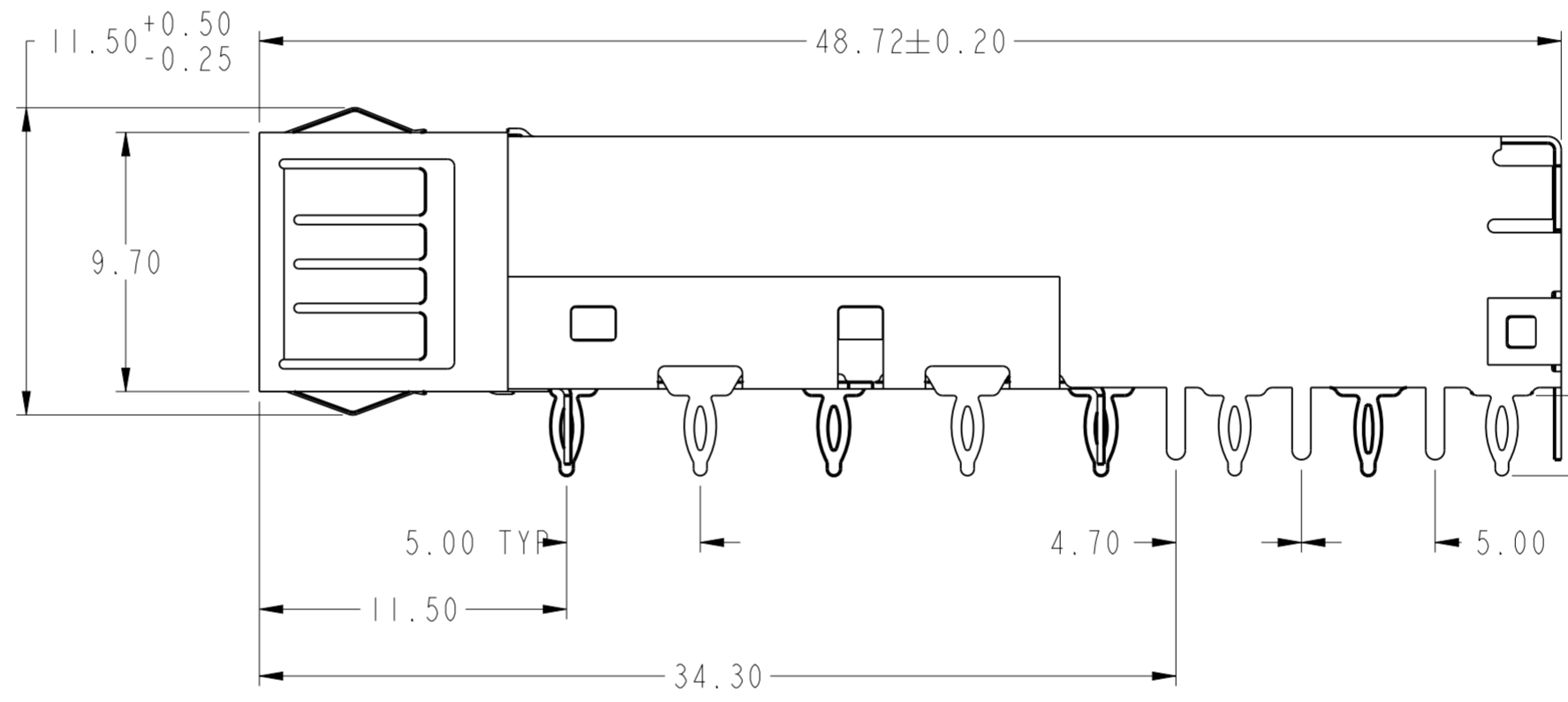
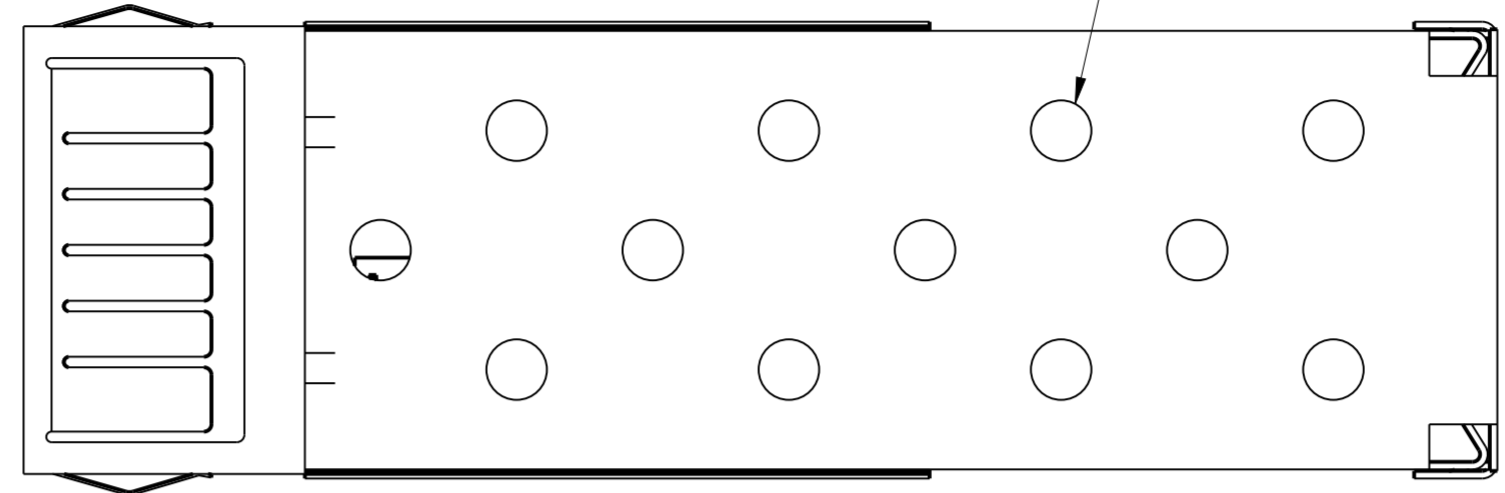
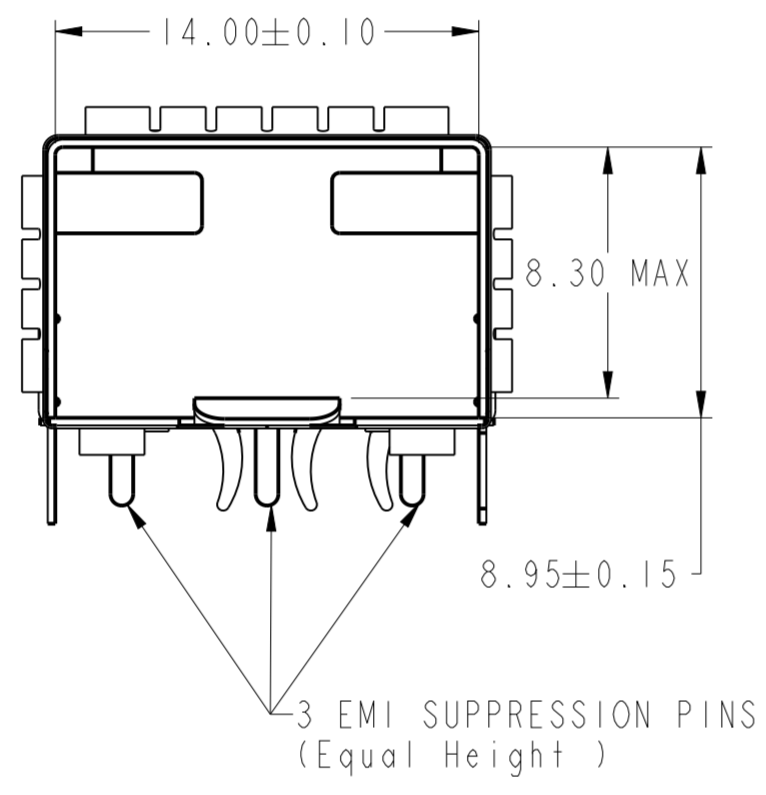


PRODUCT NUMBER	TYPE	TOP CAGE HOLE	PACKAGE
10122382-101LF	3 EMI SUPPRESSION PINS IN TOP CAGE & COMPLIANT PINS IN BOTTOM CAGE	WITHOUT HOLE	TRAY
10122382-102LF	3 EMI SUPPRESSION PINS IN TOP CAGE & COMPLIANT PINS IN BOTTOM CAGE	WITH HOLE	TRAY
10122382-202LF	3 EMI SUPPRESSION PINS IN TOP CAGE & NO COMPLIANT PINS IN BOTTOM CAGE	WITH HOLE	TRAY
10122382-112LF	3 EMI SUPPRESSION PINS IN TOP CAGE & COMPLIANT PINS IN BOTTOM CAGE	WITH HOLE	Tape&Reel

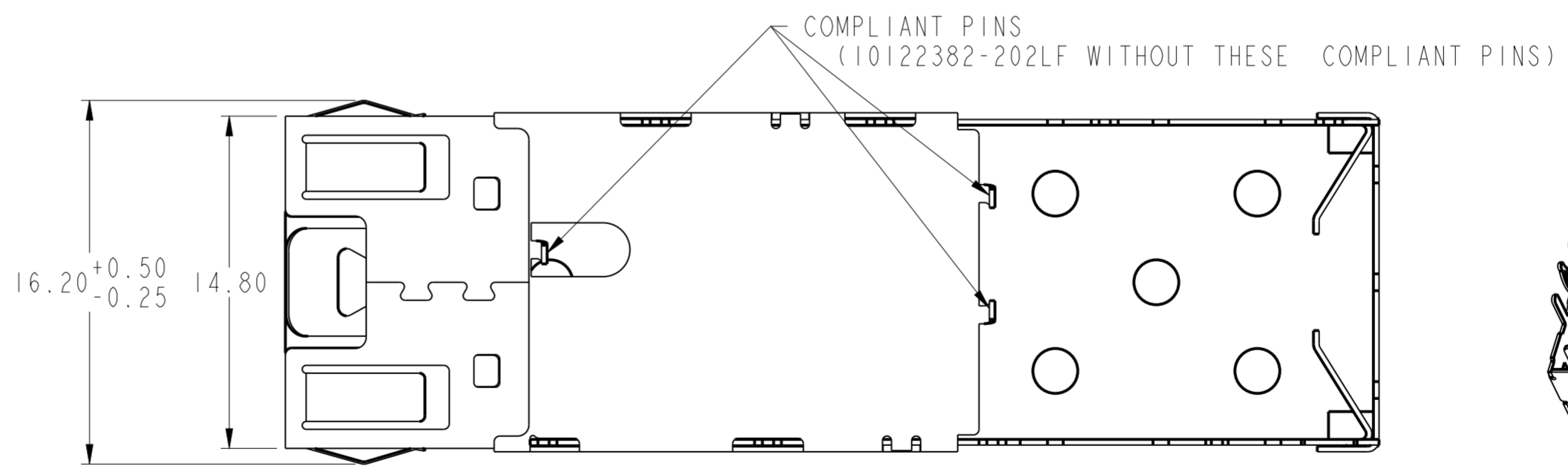
12x TOP CAGE HOLES  
SEE TABLE  
(10122382-101LF WITHOUT HOLES)



10122382-102LF  
SFP+ IXI CAGE BASIC TYPE



10122382-202LF  
(NO COMPLIANT PINS IN BOTTOM CAGE)



10122382-102LF  
3 EMI SUPPRESSION PINS IN TOP CAGE & COMPLIANT PINS IN BOTTOM CAGE

10122382-101LF  
(NO TOP CAGE HOLES FOR BETTER EMI PERFORMANCE)

- NOTES:
- MATERIAL:  
CAGE BODY: NICKEL SILVER ALLOY  
EMI SPRING: STAINLESS STEEL  
INSULATION TAPE: SILICON POLYIMIDE
  - DATUM AND BASIC DIMENSIONS ARE ESTABLISHED BY CUSTOMER.
  - PADS AND VIAS ARE CHASSIS GROUND, 11 PLACES.
  - THROUGH HOLES, PLATING OPTIONAL.
  - CROSS-HATCHED AREA DENOTES COMPONENT AND TRACE KEEP-OUT (EXCEPT CHASSIS GROUND).
  - THIS AREA DENOTES COMPONENT KEEP-OUT (TRACES ALLOWED).
  - PRODUCT SPECIFICATION: GS-12-1165
  - APPLICATION SPECIFICATION: GS-20-0384
  - PACKAGE PER GS-14-2344 AND GS-14-920
  - PRODUCT MEETS EUROPEAN UNION DIRECTIVES AND OTHER COUNTRY REGULATIONS AS DESCRIBED IN GS-22-008.

spec ref	RELEASE	dr	LhA	2016-02-16	projection	MM	size	A2	scale	4:1	
tolerance std	TOLERANCES UNLESS OTHERWISE SPECIFIED	eng	LhA	2016-02-16			ecn no	MD-0576			
ASME Y14.5		chr		2016-02-16			product family	SFP+	rel level	Released	
surface	linear	appr	Pei-Ming-Zhang	2016-02-16	SFP+ IXI Cage			cat. no.	10122382	rev	D
ISO 1302	angular				EMI SPRING TYPE			Product - Customer Draw			

PDS: Rev :D

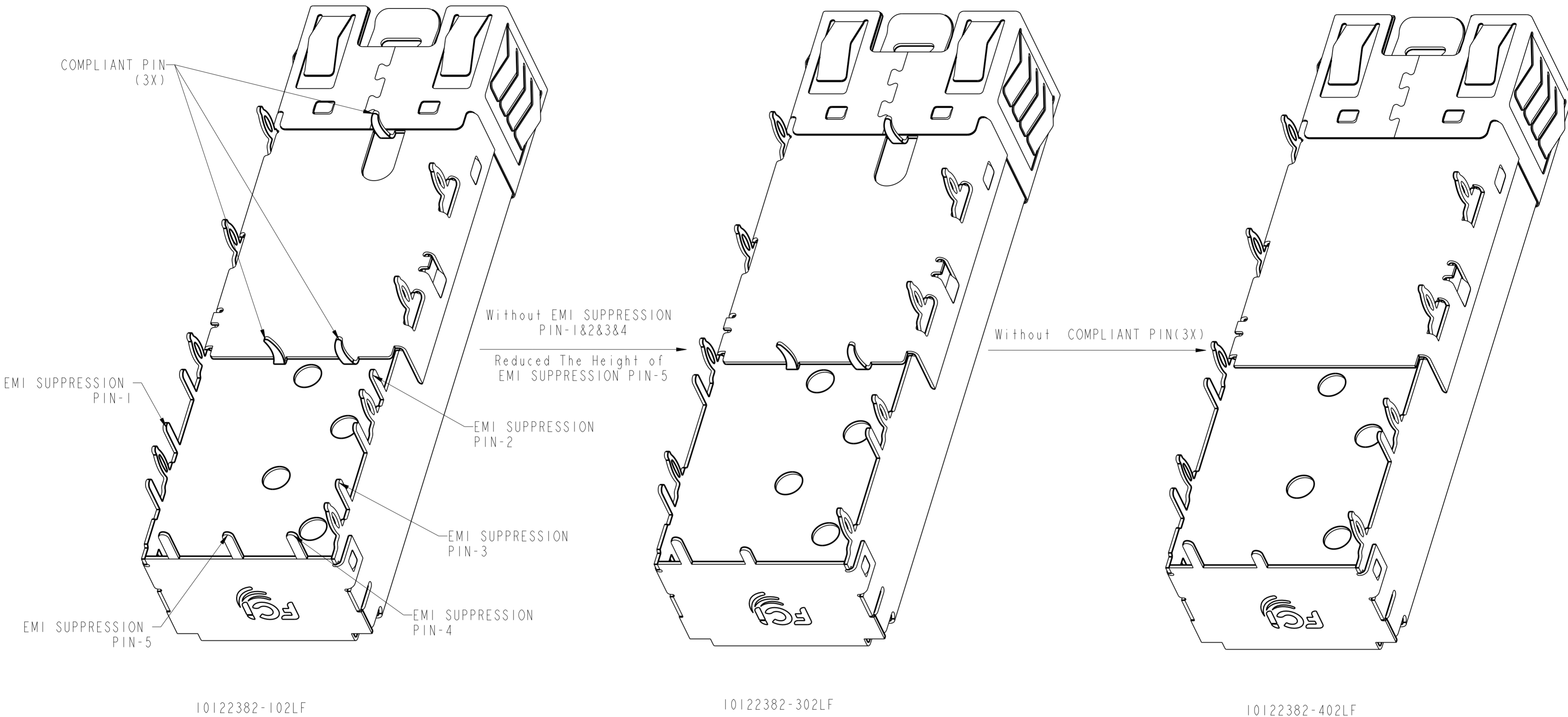
STATUS: Released

Printed: Aug 18, 2016

Amphenol  
FCi

© 2016 AFci

PRODUCT NUMBER	TYPE	TOP CAGE HOLE	PACKAGE
10122382-302LF	2 EMI SUPPRESSION PINS IN TOP CAGE & COMPLIANT PINS IN BOTTOM CAGE	WITH HOLE	TRAY
10122382-402LF	2 EMI SUPPRESSION PINS IN TOP CAGE & NO COMPLIANT PINS IN BOTTOM CAGE	WITH HOLE	TRAY



10122382-302LF/402LF WILL ALLOW FOR BELLY TO BELLY MOUNTING.

Amphenol  
FCi

© 2016 AFci

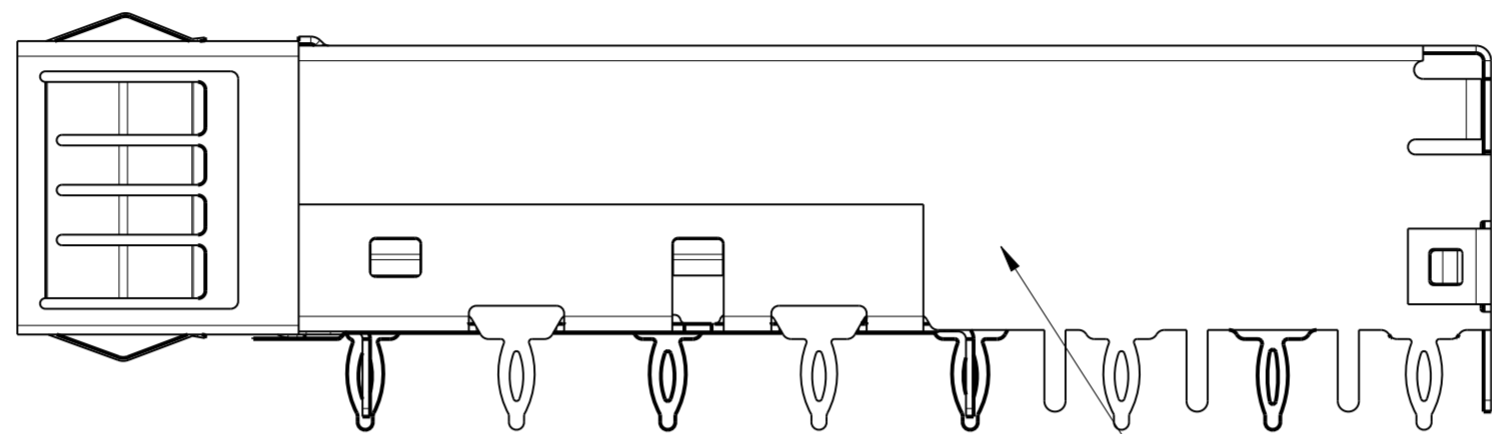
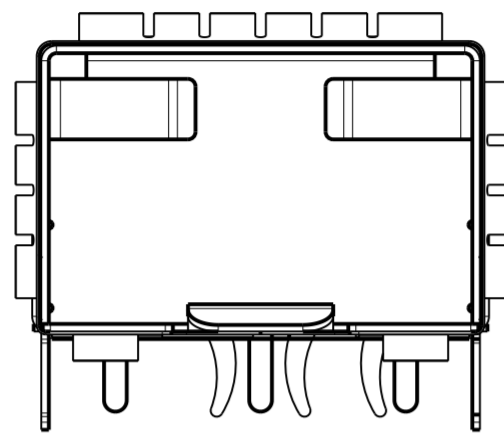
spec ref	RELEASE	dr	LhA	2016-02-16	projection	MM	size	A2	scale	5:1	
tolerance std	TOLERANCES UNLESS OTHERWISE SPECIFIED	eng	LhA	2016-02-16			ecn no	ND-0076	rel level	Released	
ASME Y14.5		chr		2016-02-16							product family
surface	linear	appr	Pei-Ming.Zhang	2016-02-16	Amphenol FCi		SFP+ IXI Cage		cat. no.	10122382	
ISO 1302	angular				EMI SPRING TYPE		dwg no	Product - Customer Drw		rev	D
									sheet 2 of 6		

PDS: Rev :D

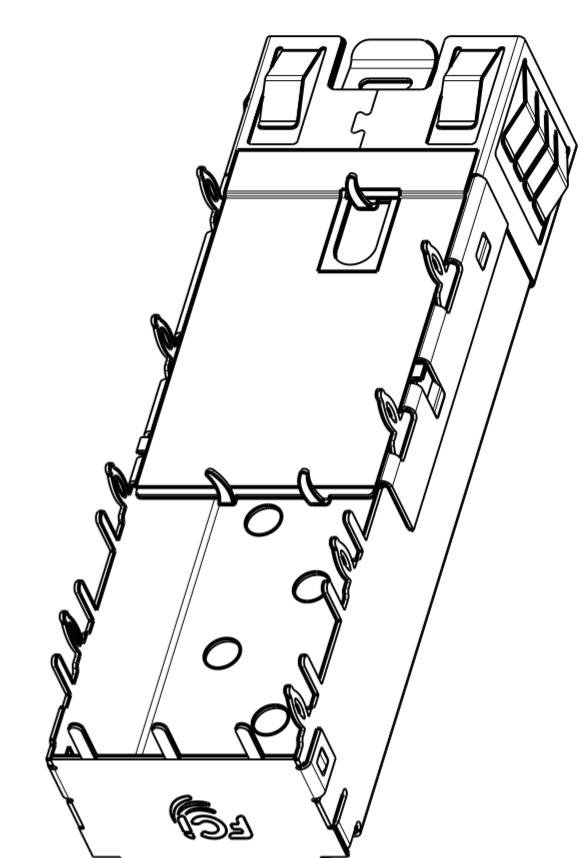
STATUS:Released

Printed: Aug 18, 2016

PRODUCT NUMBER	TYPE	TOP CAGE HOLE	PACKAGE
10122382-502LF	CAGE WITH INSULATION TAPE	WITH HOLE	TRAY

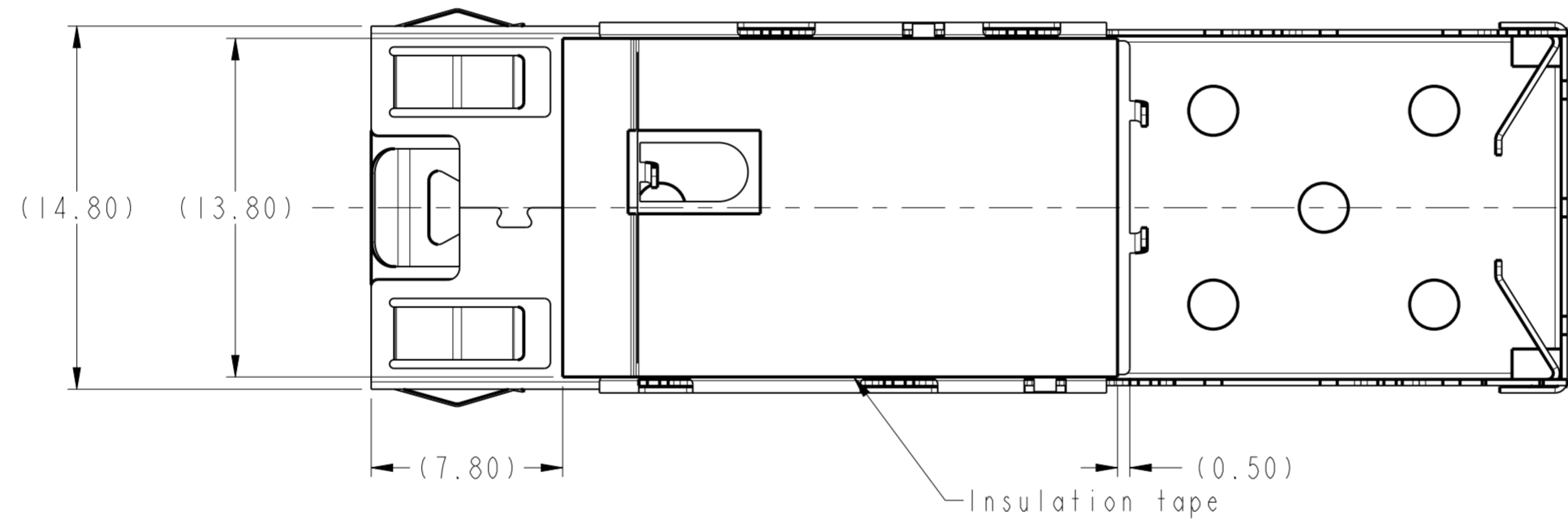


Cage 10122382-102LF



SCALE 5:2

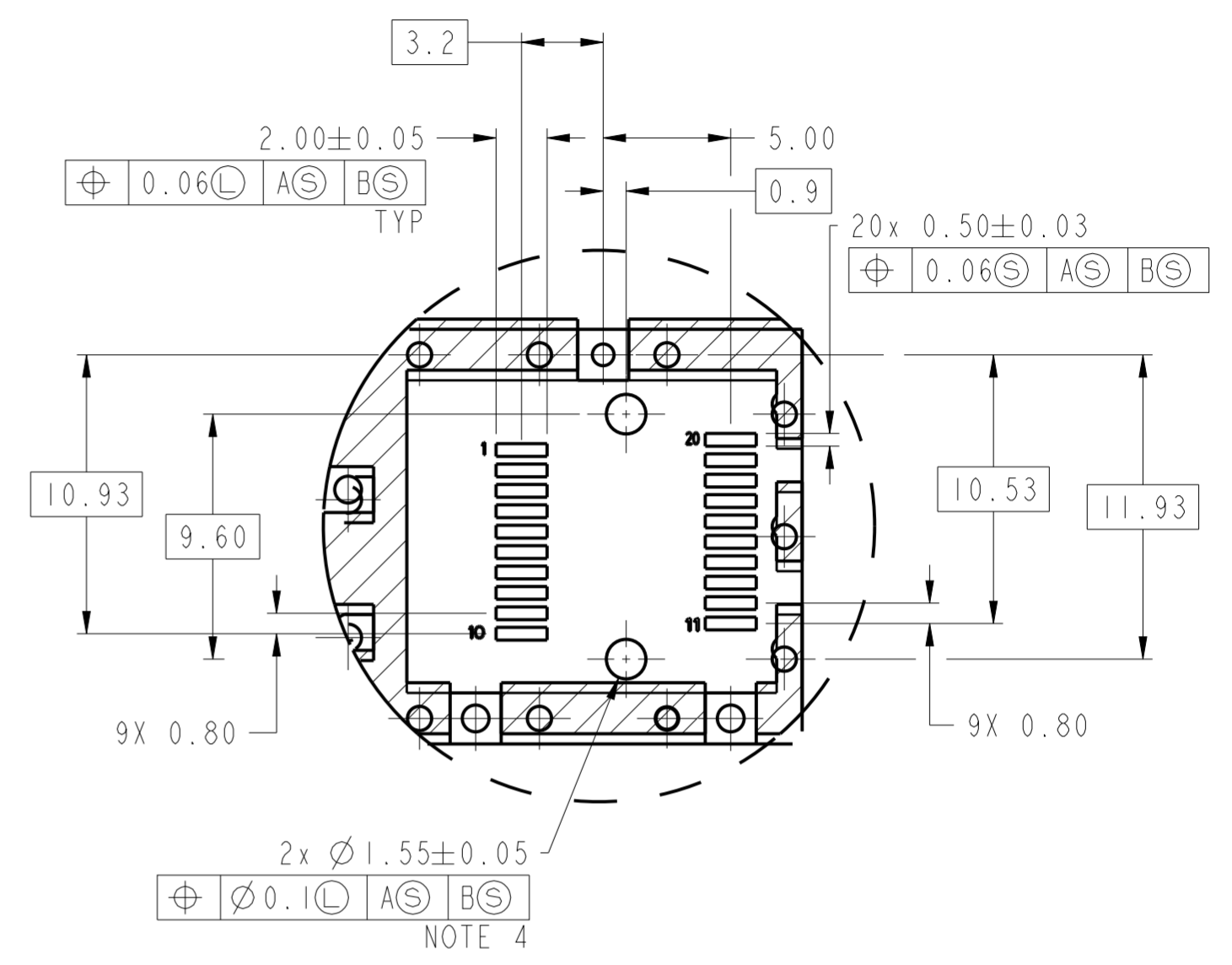
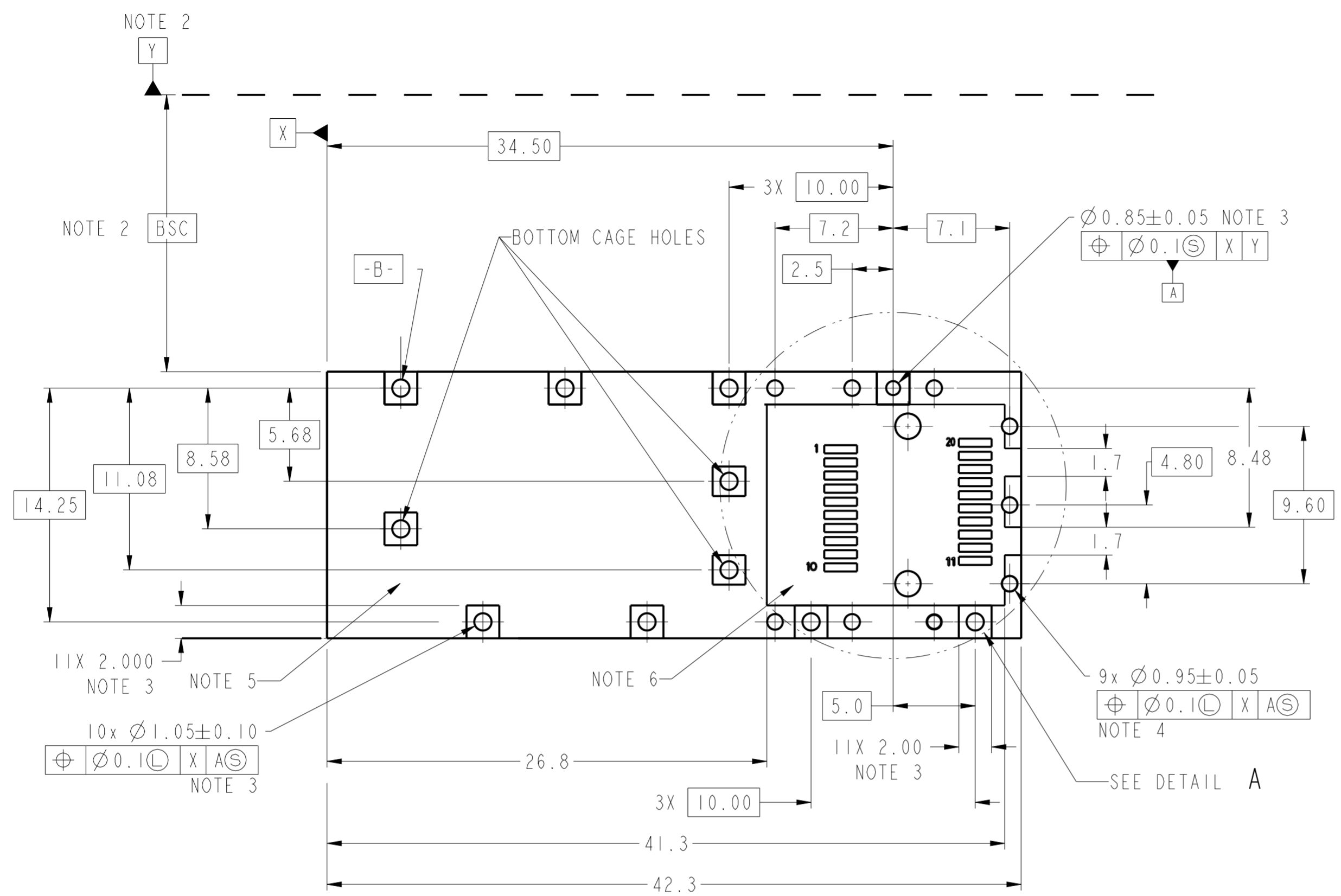
10122382-502LF  
(A MYLAR ON THE BOTTOM FOR INSULATION PROTECTION)



Amphenol  
FCi

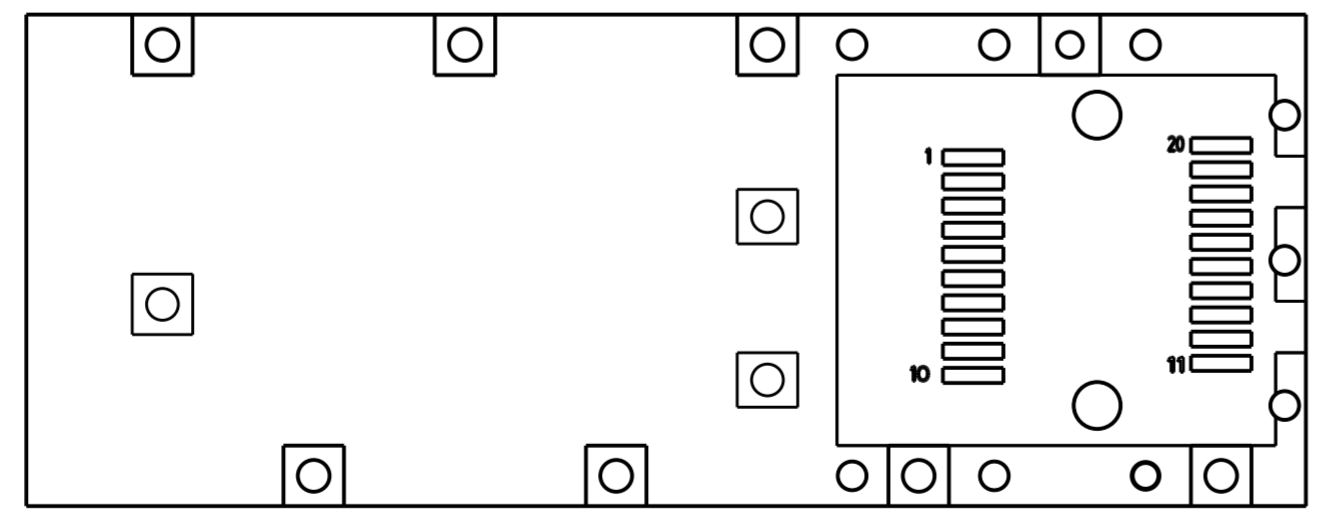
© 2016 AFci

spec ref	RELEASE	dr	LhA	2016-02-16	projection	MM	size	A2	scale	4:1	
tolerance std	ASME Y14.5	eng	LhA	2016-02-16			ecn no	ND-0079			
	TOLERANCES UNLESS OTHERWISE SPECIFIED	chr		appr			Pei-Ming-Zhang	2016-02-16	product family	SFP+	rel level
surface	linear	0.X	±0.25		<b>Amphenol FCI</b> TITLE SFP+ IXI Cage EMI SPRING TYPE		cat. no.	10122382		rev	D
		0.XX	±0.15				Product - Customer Draw	sheet 3 of 6			
		0.XXX	±								
ISO 1302	angular	0°	±2°	PDS: Rev :D		STATUS: Released		Printed: Aug 18, 2016			



10122382-101LF/102LF/302LF/502LF  
 HOST BOARD MECHANICAL LAYOUT  
 SINGLE SIDED APPLICATIONS

DETAIL A: HOST CONNECTOR LAYOUT  
 SCALE 4:1



10122382-202LF  
 HOST BOARD MECHANICAL LAYOUT  
 SINGLE SIDED APPLICATIONS  
 (ONLY WITHOUT BOTTOM CAGE HOLES)

NOTE:  
 SEE SHEET 4 FOR  
 HOST CONNECTOR LAYOUT

Amphenol  
FCi

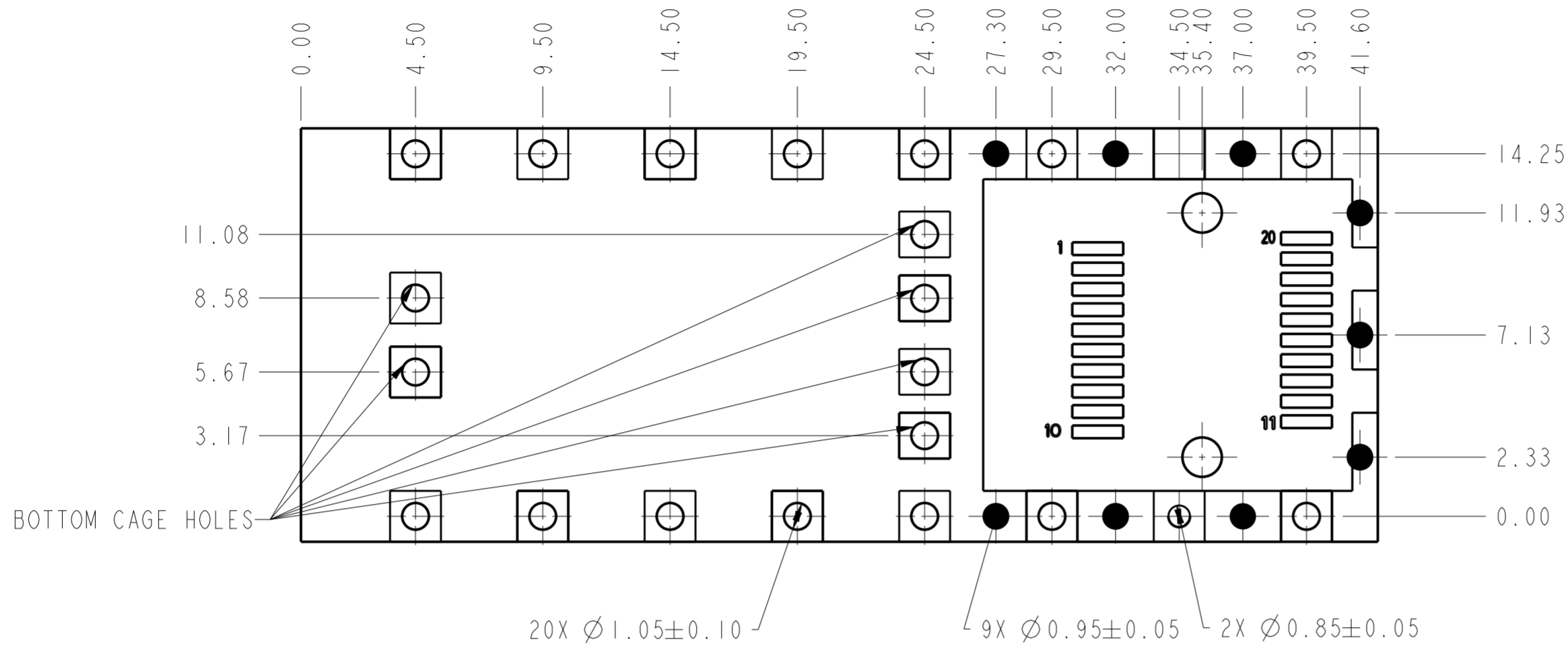
© 2016 APCI

spec ref	RELEASE	dr	LhA	2016-02-16	projection	MM	size	A2	scale	4:1
tolerance std	ASME Y14.5	eng	LhA	2016-02-16	chr		ecn no	MD-0576		
	TOLERANCES UNLESS OTHERWISE SPECIFIED	appr	Pei-Ming Zhong	2016-02-16	product family		rel level	Released		
surface	linear	0.X	±0.25	Amphenol FCi		SFP+ 1XI Cage EMI SPRING TYPE		10122382		rev D
		0.XX	±0.15							
		0.XXX	±							
	angular	0°	±2°	cat. no.	Product - Customer Drw		sheet 4 of 6			

PDS: Rev :D

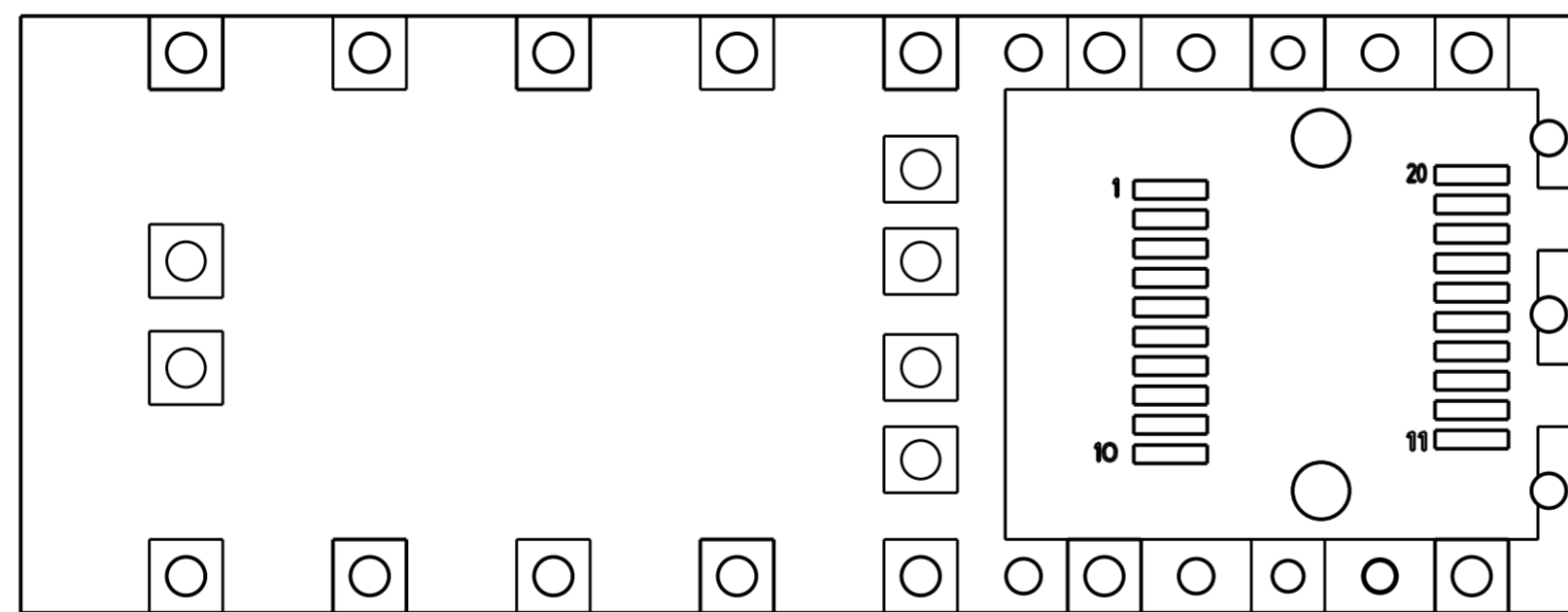
STATUS: Released

Printed: Aug 18, 2016



NOTE:  
SEE SHEET 4 FOR  
HOST CONNECTOR LAYOUT

10122382-302LF  
HOST BOARD MECHANICAL LAYOUT  
BELLY TO BELLY APPLICATIONS

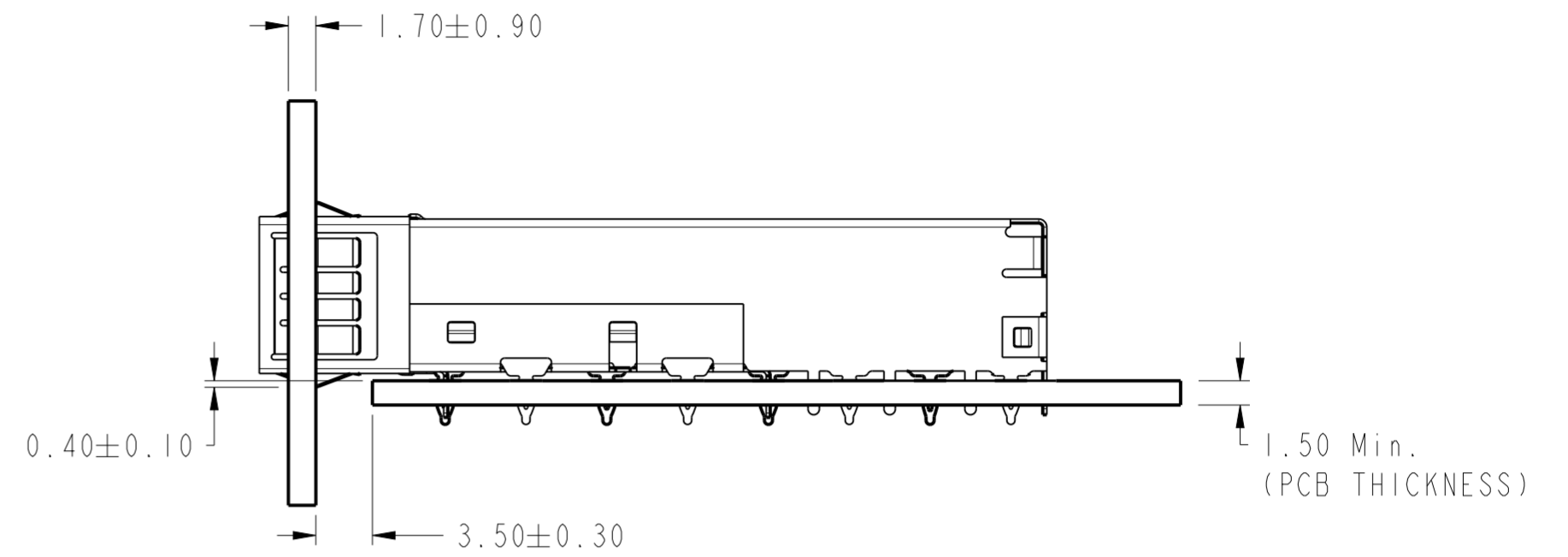
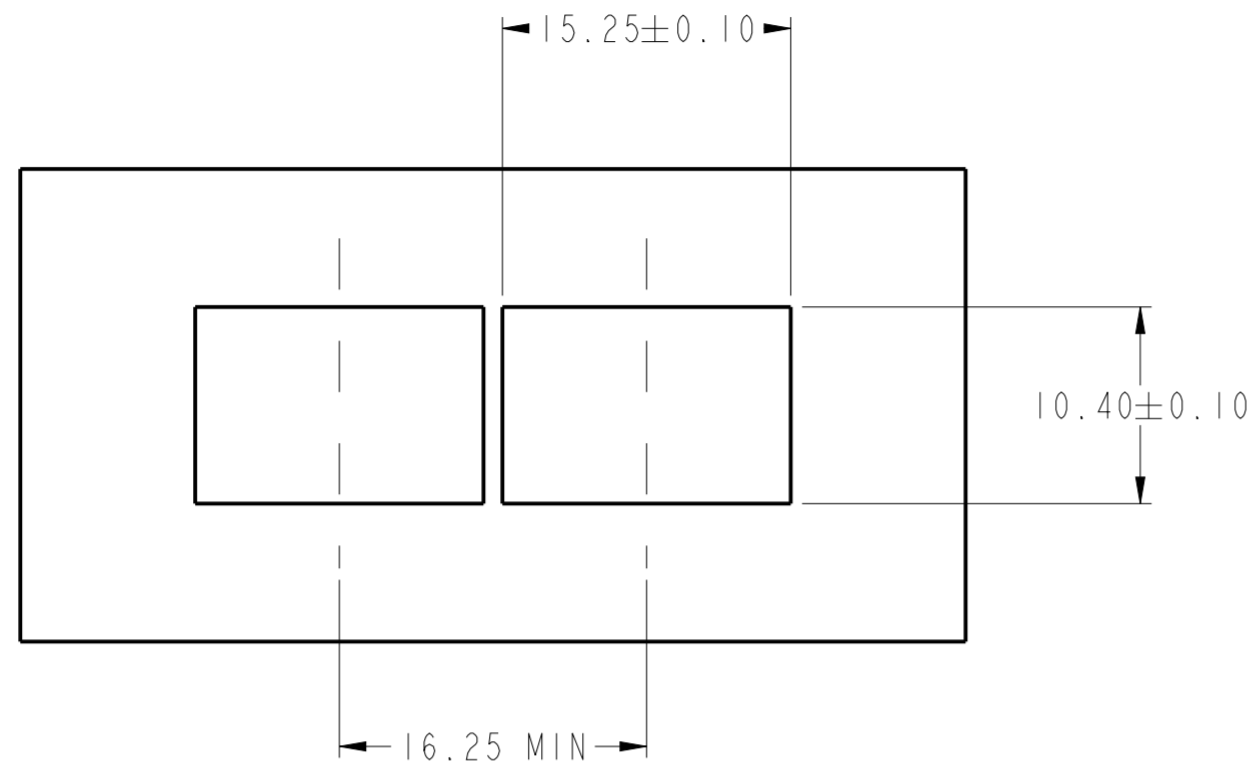


NOTE:  
SEE SHEET 4 FOR  
HOST CONNECTOR LAYOUT

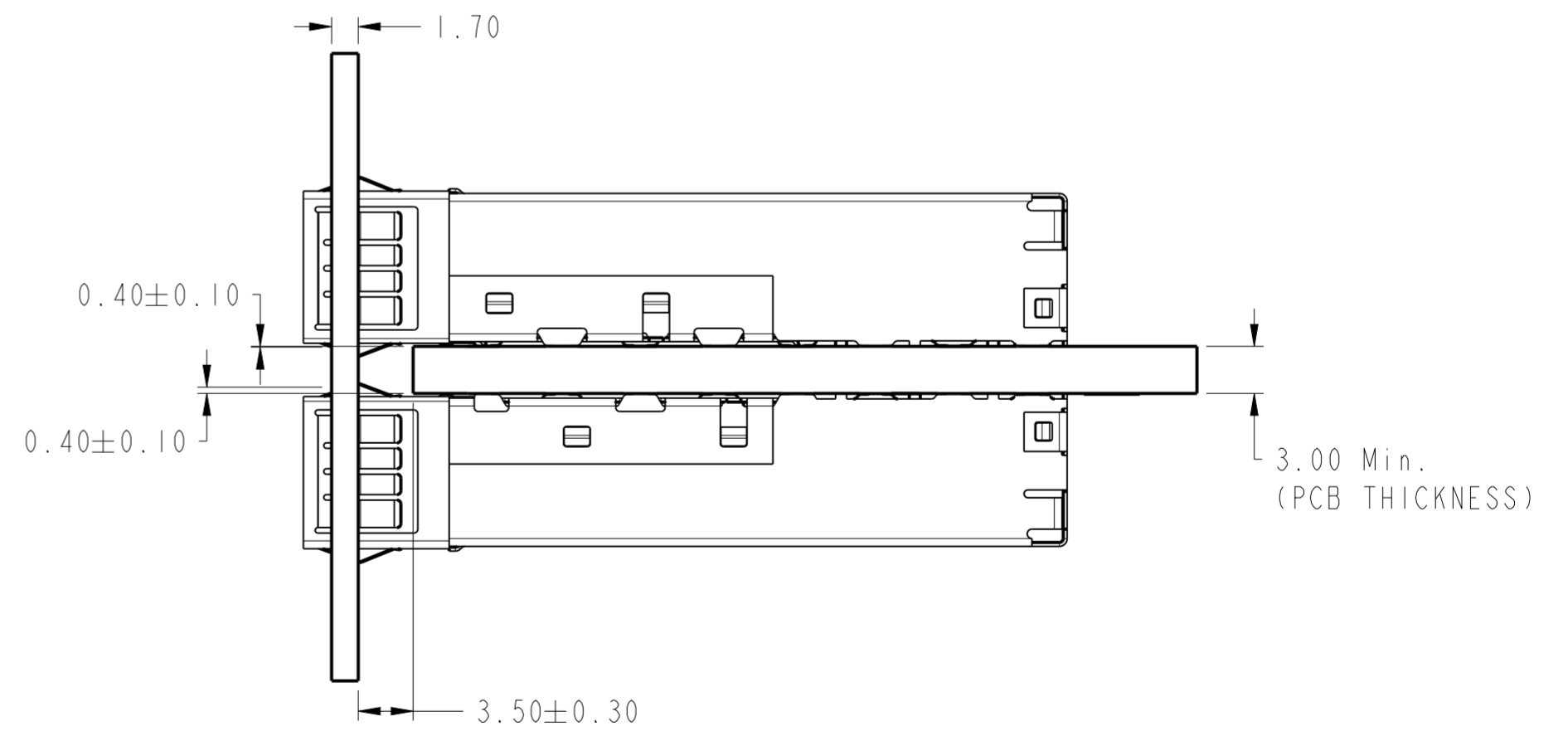
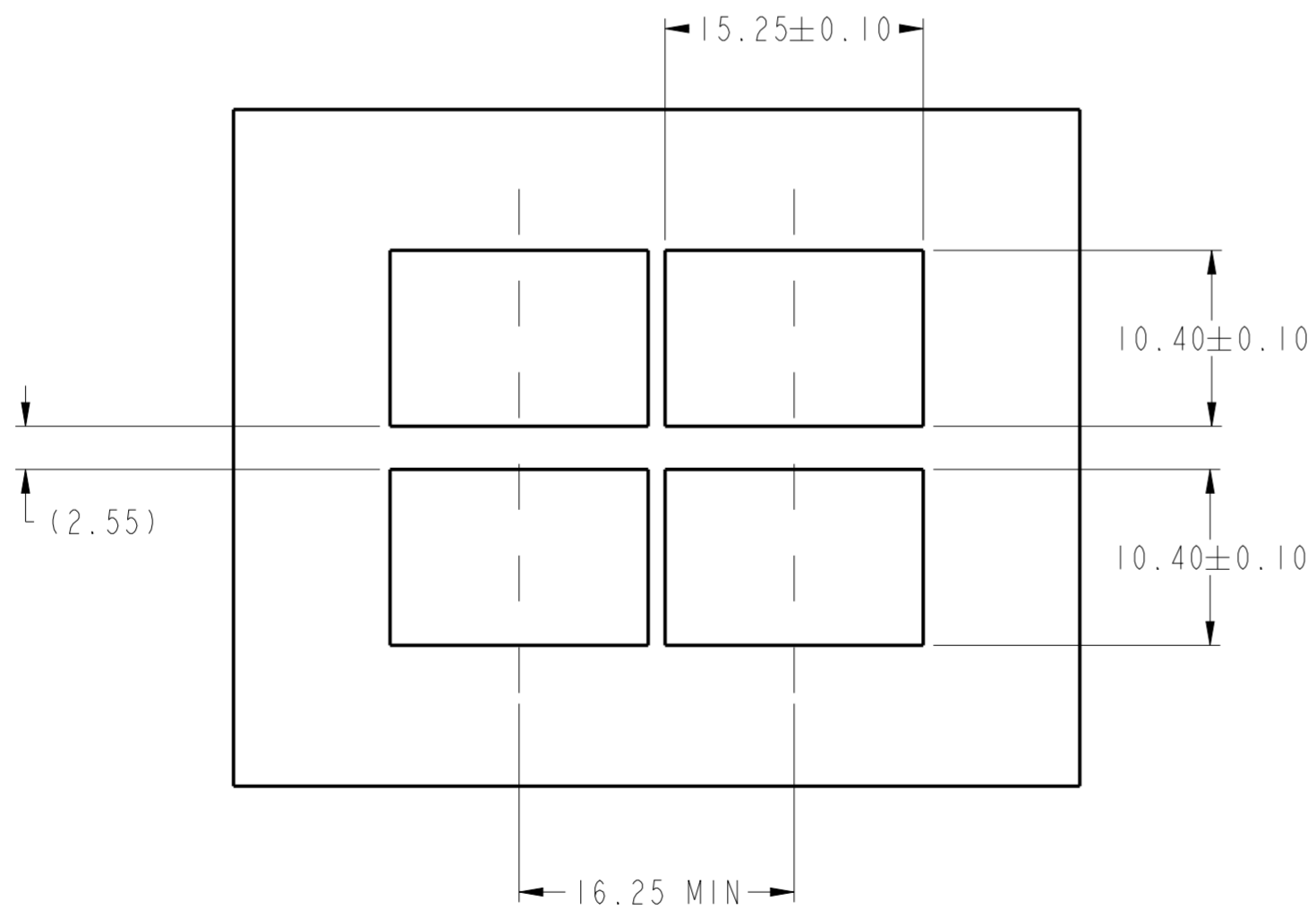
10122382-402LF  
HOST BOARD MECHANICAL LAYOUT  
BELLY TO BELLY APPLICATIONS  
(ONLY WITHOUT BOTTOM CAGE HOLES)

spec ref	RELEASE	dr	LhA	2016-02-16	projection	MM	size	A2	scale	1:1	
tolerance std	ASME Y14.5	eng	LhA	2016-02-16			ecn no	ND-0576			
TOLERANCES UNLESS OTHERWISE SPECIFIED		chr	Pa-Ming-Zhang	2016-02-16			rel level	Released			
surface	ISO 1302	appr	Pa-Ming-Zhang	2016-02-16	product family	Amphenol FCI		title	SFP+ IXI Cage	rev	D
linear	0.X ±0.25 0.XX ±0.15 0.XXX ±	cat. no.	-		Product - Customer Drw	sheet 5 of 6					
angular	0° ±2°										

BEZEL AND BOARD POSITION DIMENSIONS FOR SINGLE SIDE MOUNTING  
(EMI SPRING FINGER)



10122382-302LF/402LF  
BEZEL AND BOARD POSITION DIMENSIONS FOR BELLY TO BELLY MOUNTING  
(EMI SPRING FINGER)



spec ref	RELEASE	dr	LhA	2016-02-16	projection	MM	size	A2	scale	1:1
tolerance std	TOLERANCES UNLESS OTHERWISE SPECIFIED	eng	LhA	2016-02-16			ecn no	ND-0076		
ASME Y14.5		chr					rel level	Released		
surface	linear	appr	Pei-Ming.Zhang	2016-02-16	product family	SFP+	cat. no.	10122382	rev	D
ISO 1302	angular	Amphenol FCI		SFP+ IXI Cage		Product - Customer Drw		sheet 6 of 6		
					EMI SPRING TYPE					

Amphenol FCI  
© 2016 APCI