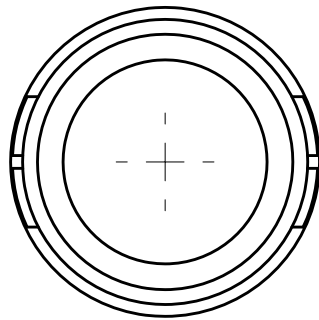
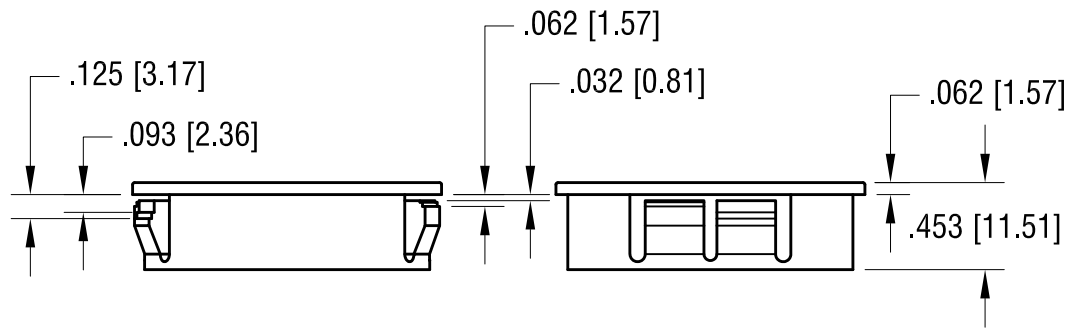
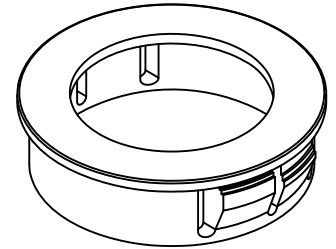
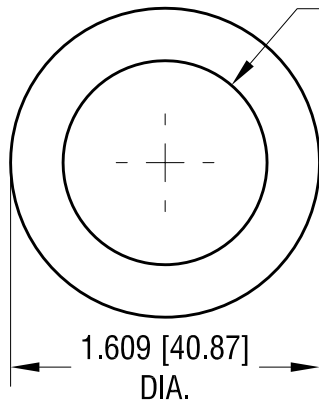


THIS DOCUMENT IS THE PROPERTY OF  
KEYSTONE ELECTRONICS CORP. AND  
SHALL NOT BE REPRODUCED, DISTRIBUTED  
OR USED AS A BASIS FOR MANUFACTURE  
WITHOUT PRIOR WRITTEN PERMISSION  
FROM KEYSTONE ELECTRONICS CORP.

+ .030 [+0.76]  
- .000 [-0.00]  
Ø1.062 [Ø26.97]  
CLEARANCE FOR WIRE



**KEYSTONE ELECTRONICS CORP.**

www.keyelco.com • ASTORIA, N.Y. 11105-2017 • Tel (718) 956-8900

PART NAME  
NYLON INSULATING BUSHING

MATERIAL  
NYLON 6/6, BLACK UL 94V-2

FINISH -	DRN BY	BOONE	DATE	11.22.06
	APP'D	LN	SCALE	1X

4.21.11 CHANGE AS PER ECR 11-056

A

TOLERANCES	INCH	[MM]	CODE	DWG NO.
DECIMAL	± .015	[± 0.38]	C/M	8483
ANGULAR	± 1°			
UNLESS OTHERWISE SPECIFIED				

DATE	DESCRIPTION	REV.
------	-------------	------