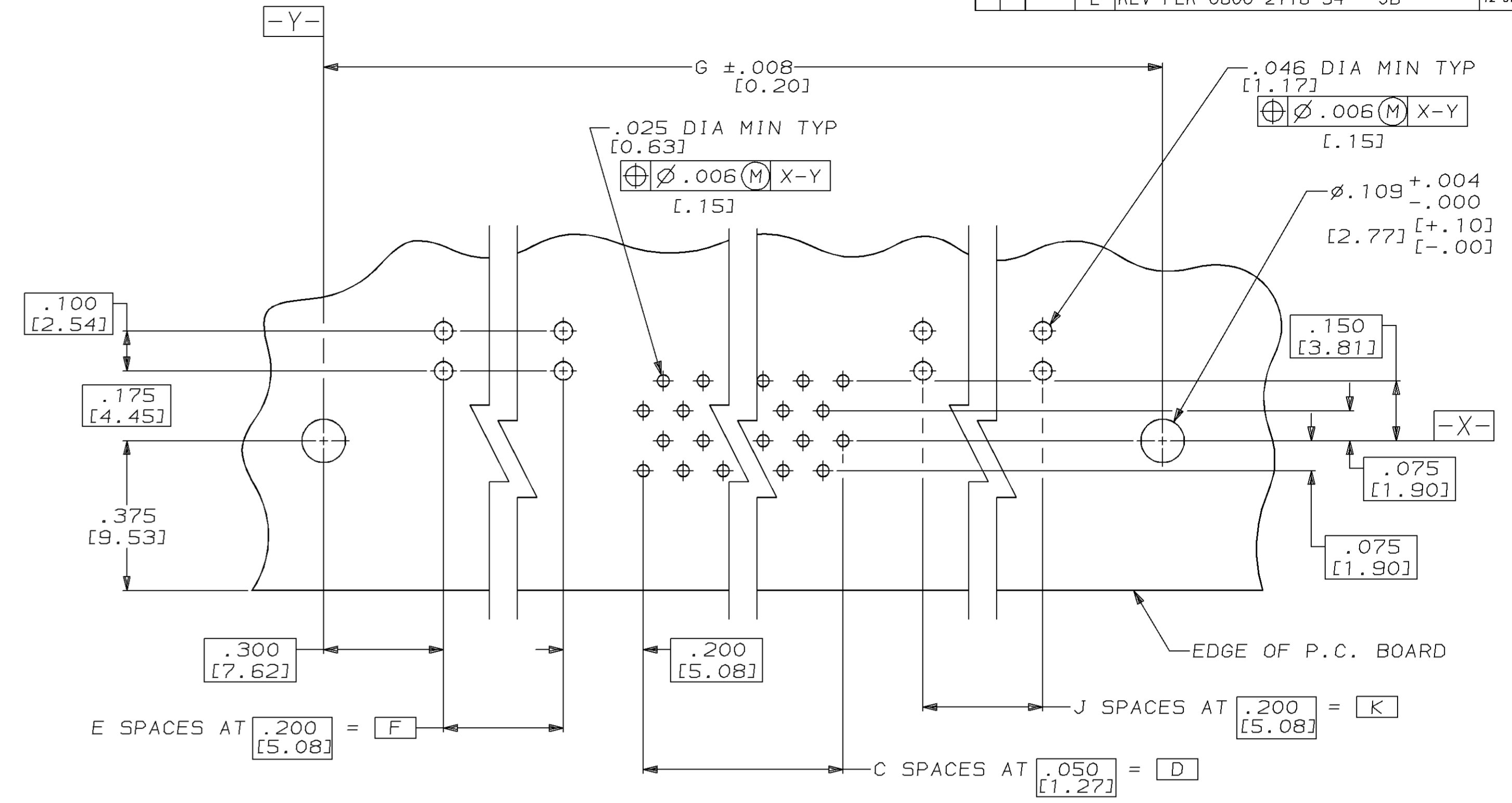
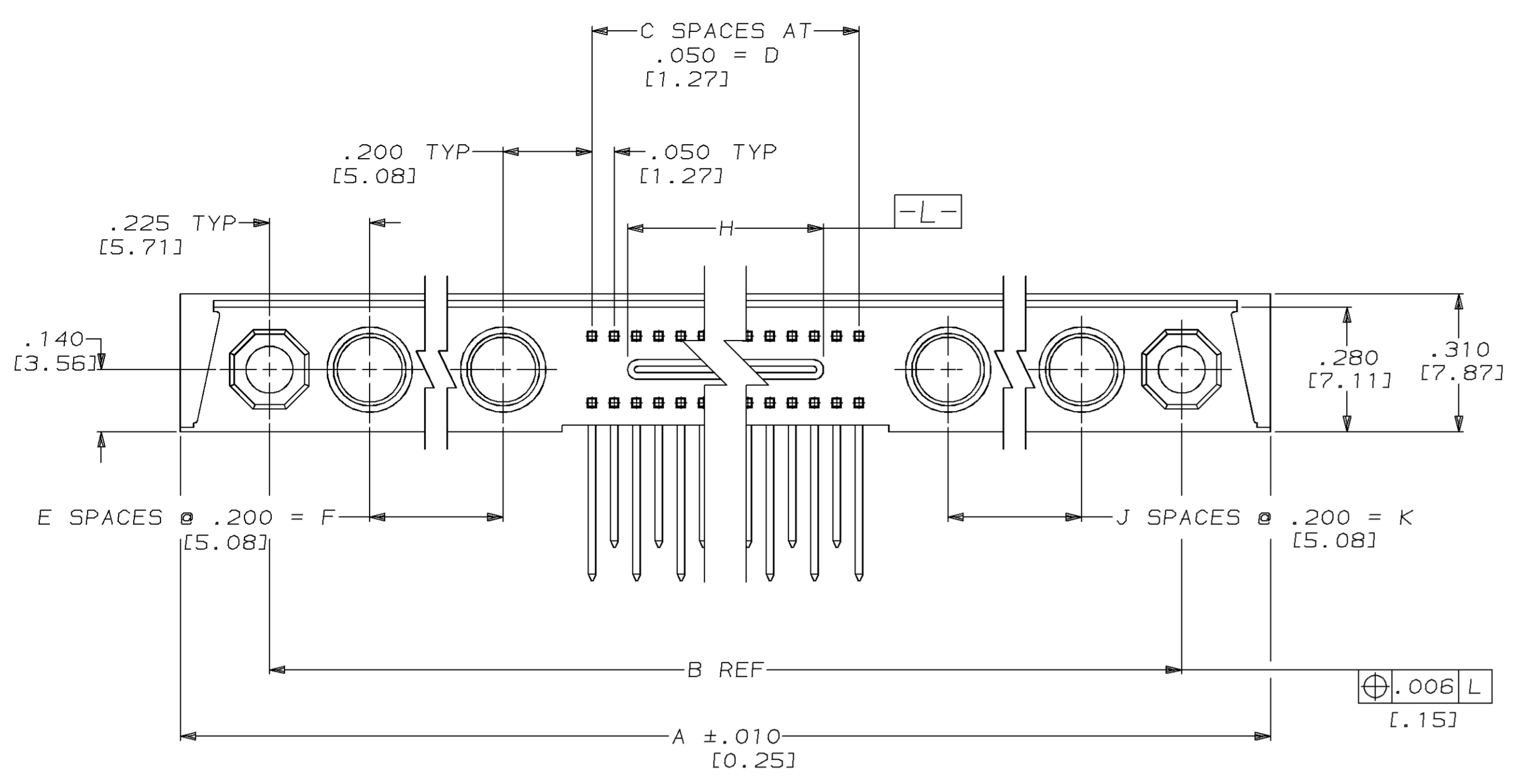
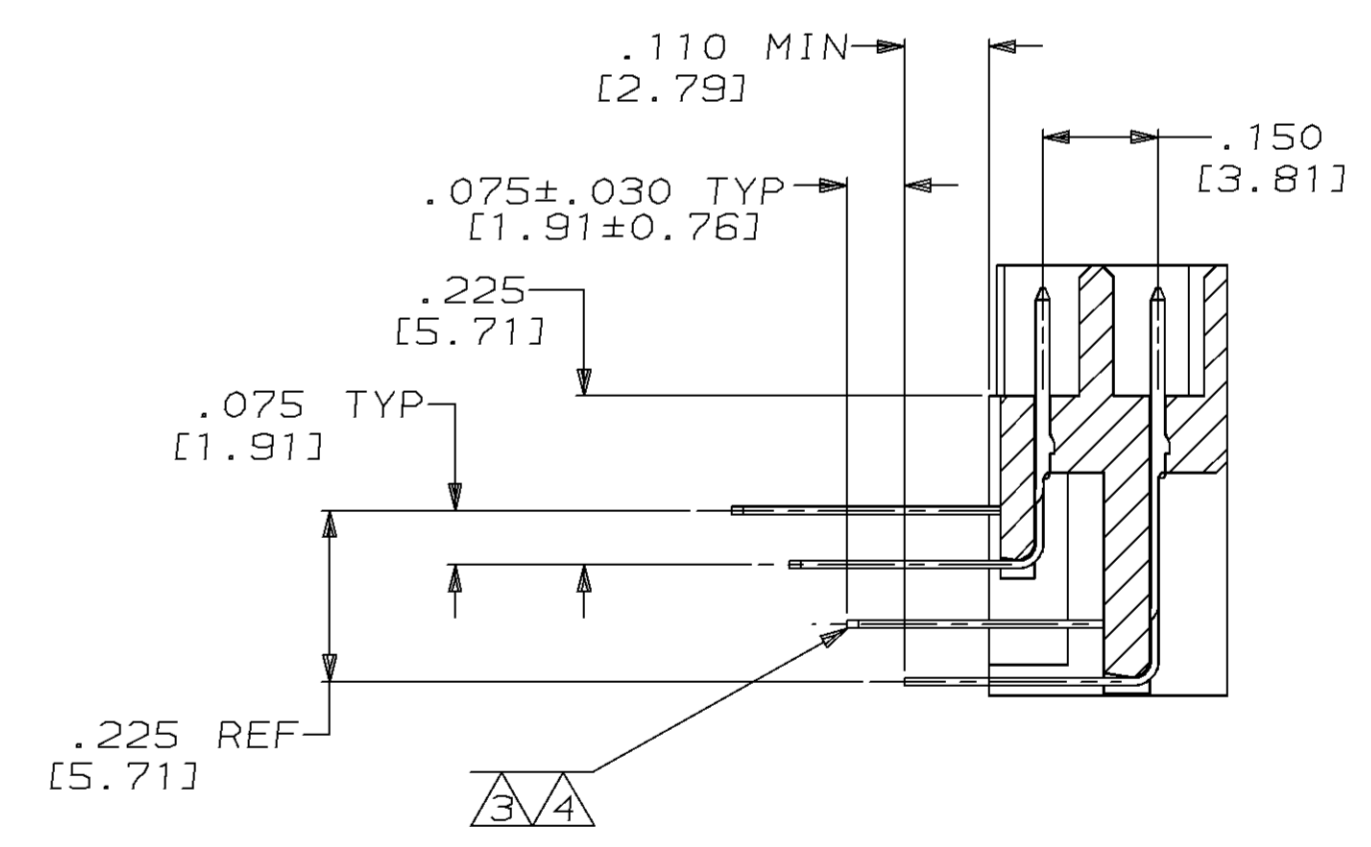
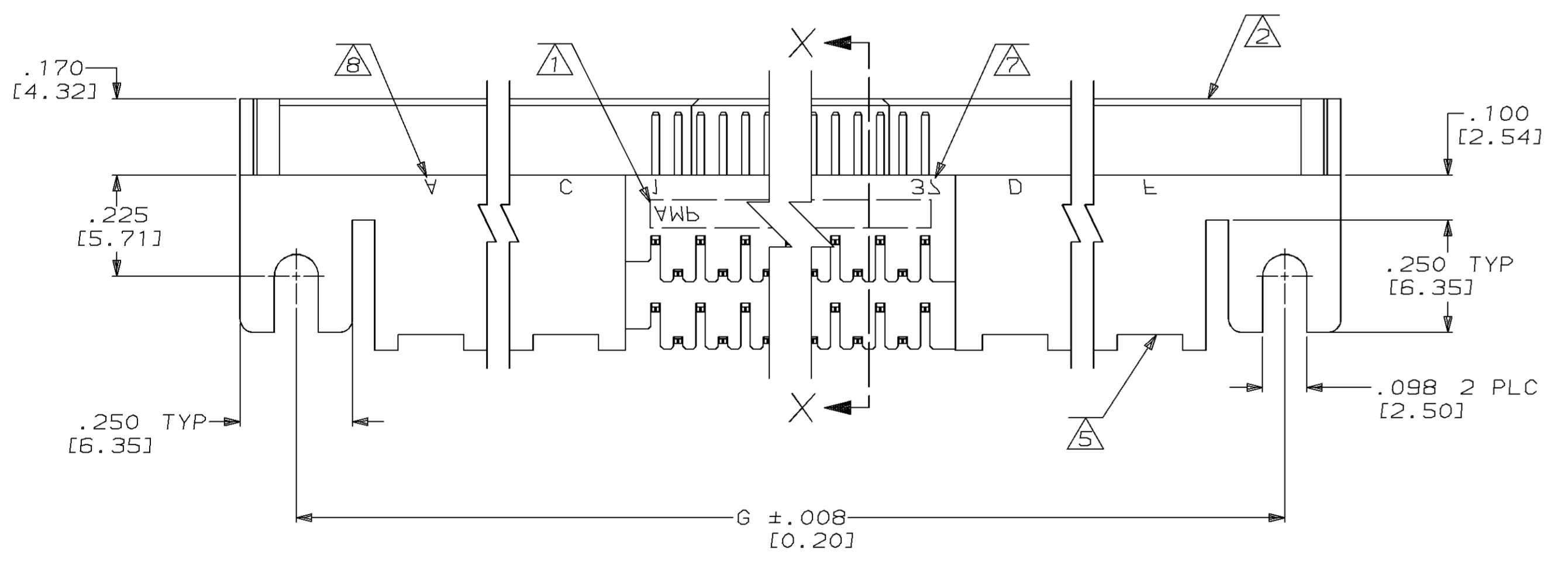


LOC	DIST	P	F	ZONE	LTR	DESCRIPTION	DATE	APPD
				C		REV & REDWN PER DF-5332 AG	1-92	DG
				C		REV PER 0600-1388-93 TA	5-4-94	DG
				E		REV PER 0600-2118-94 JB	12-07-94	DG



RECOMMENDED P.C. BOARD LAYOUT
(CONNECTOR SIDE)



- ① 'AMP', AMP PART NUMBER, AND DATE CODE MARKED OPPOSITE SIDE.
- ② HOUSING MATERIAL: LIQUID CRYSTAL POLYMER PER MIL-M-24519, GLCP-30F; COLOR: GRAY.
- ③ CONTACT MATERIAL: BRASS
- ④ CONTACT FINISH: NICKEL UNDERPLATE ALL OVER, .000030 GOLD IN CONTACT AREA, TIN PLATED POSTS.
- ⑤ WILL ACCEPT MICRO-MINIATURE COAX CONTACTS PER "AMP" DATA SHEET 80-600, P.C. BOARD MOUNTED CONTACTS MUST BE MATED BEFORE SOLDERING, INSERT CONTACTS FROM THIS SIDE.
- 6. GROUP "A" INSPECTION PER MIL-C-55302 PERFORMED.
- ⑦ ON OPPOSITE SIDE, NUMBERS OF END POSITIONS MARKED.
- ⑧ ON OPPOSITE SIDE, CO-AX POSITIONS (A,B,C,D,E,F) MARKED.

.400 [10.16]	2	.690 [17.52]	2.650 [67.31]	.400 [10.16]	2	.850 [21.59]	17	2.500 [63.50]	2.900 [73.66]	6	36	531819-3
.400 [10.16]	2	.440 [11.18]	2.400 [60.96]	.400 [10.16]	2	.600 [15.24]	12	2.250 [57.15]	2.650 [67.31]	6	26	531819-2
.400 [10.16]	2	1.640 [41.66]	3.600 [91.44]	.400 [10.16]	2	1.800 [45.72]	36	3.450 [87.79]	3.850 [97.79]	6	74	531819-1
K	J	H	G	F	E	D	C	B	A	COAX POSN.	BOX POSN.	PART NO

DO NOT SCALE PRINT. UNLESS SPECIFIED DIMENSIONS IN INCHES [mm] TOLERANCES ON: 2 PLC DEC ± .010 ANGLES ± -

DR 12-4-91 AJ GRAFF
 CHK 1-2-92 D.GUTTER
 APPD 1-2-92 D.GUTTER
 MATERIAL
 FINISH

AMP Incorporated
 Harrisburg, PA 17105-3608

PIN HEADER ASSEMBLY, MINI BOX
 RIGHT ANGLE W/6 COAX PORTS

SIZE D CAGE CODE 00779 DRAWING NO 531819
 SCALE 4:1 SHEET 1 OF 1