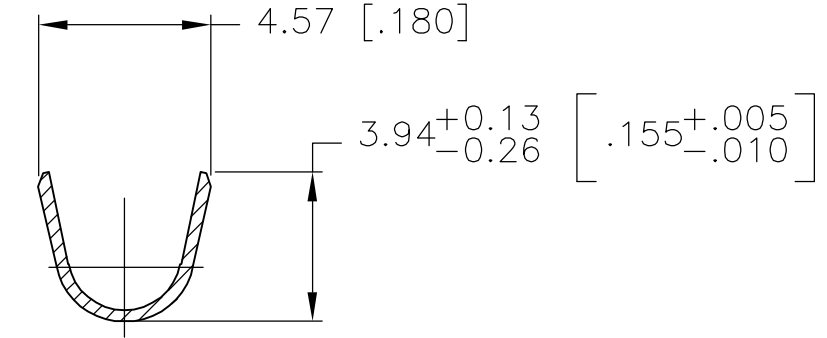
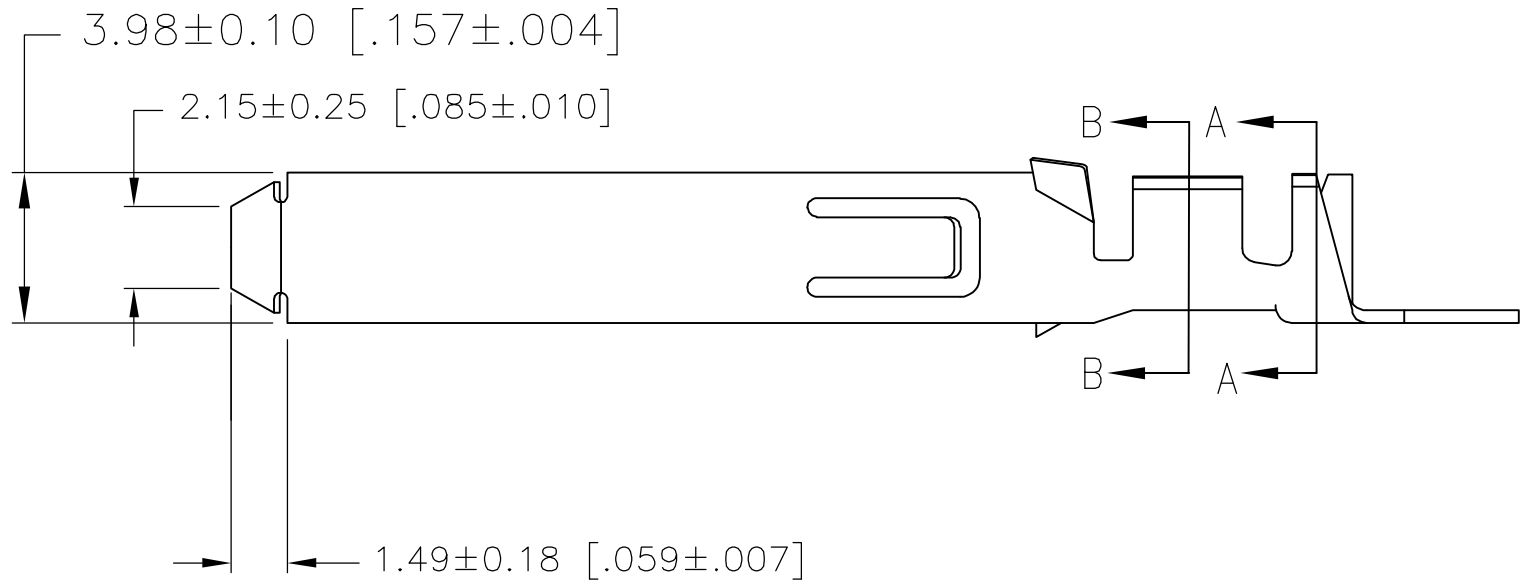
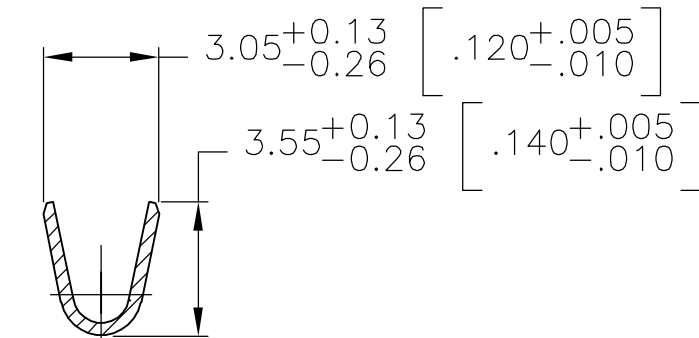
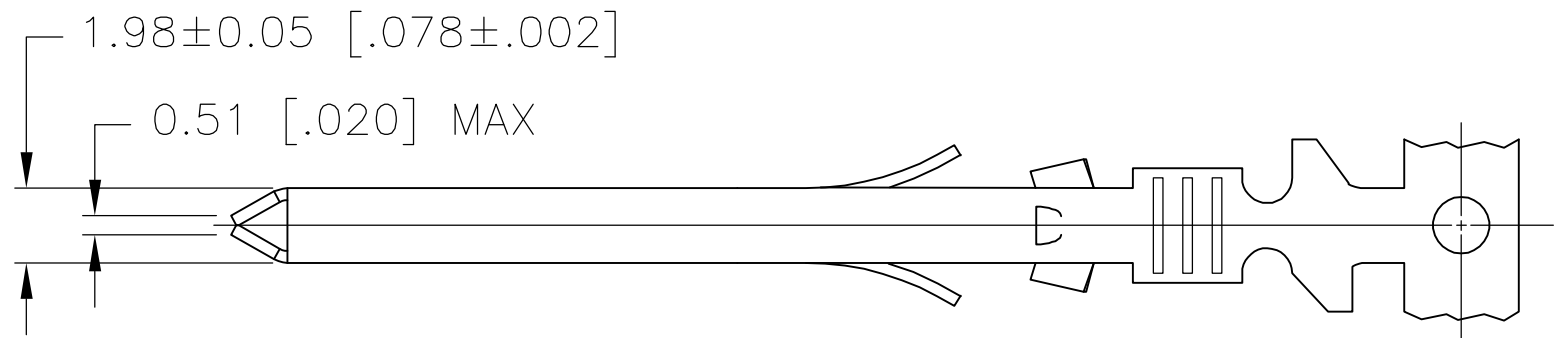


THIS DRAWING IS UNPUBLISHED. RELEASED FOR PUBLICATION
 © COPYRIGHT - BY TYCO ELECTRONICS CORPORATION. ALL RIGHTS RESERVED.

LOC	DIST	REVISIONS			
P	LTR	DESCRIPTION	DATE	DWN	APVD
CM	0				
	C1	REVISED PER ECO-05-011422	21OCT05	KW	DB



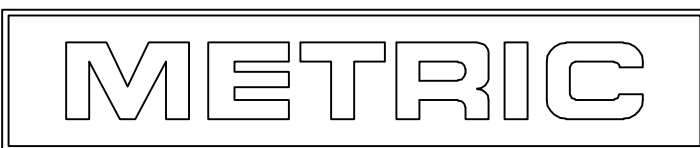
SECTION A-A



SECTION B-B

1. ACCOMMODATES 14 THRU 18 AWG WIRE INSULATION.
 RANGE 2.03 - 3.43 [.080 - .135] DIA.

TIN	208914-4
TIN-LEAD	208914-2
FINISH	PART NUMBER



DIMENSIONS:		TOLERANCES UNLESS OTHERWISE SPECIFIED:		DWN		Tyco Electronics Corporation	
mm	[INCHES]					Harrisburg, PA 17105-3608	
		0 PLC	± -	K. WHITAKER	26OCT2005	NAME	
		1 PLC	± -	D. BOSSI	26OCT2005	CONTACT, RECEPTACLE, POWER CORD	
		2 PLC	± -	D. BOSSI	26OCT2005	-	
		3 PLC	± 0.13 [.005]	PRODUCT SPEC		-	
		4 PLC	± -	APPLICATION SPEC		-	
		ANGLES	± 0'30'	WEIGHT		SIZE	CAGE CODE
		FINISH	-	-		A3	00779
MATERIAL				CUSTOMER DRAWING		DRAWING NO	RESTRICTED TO
						C=208914	-
						SCALE	SHEET
						5:1	1 OF 1
						REV	C1