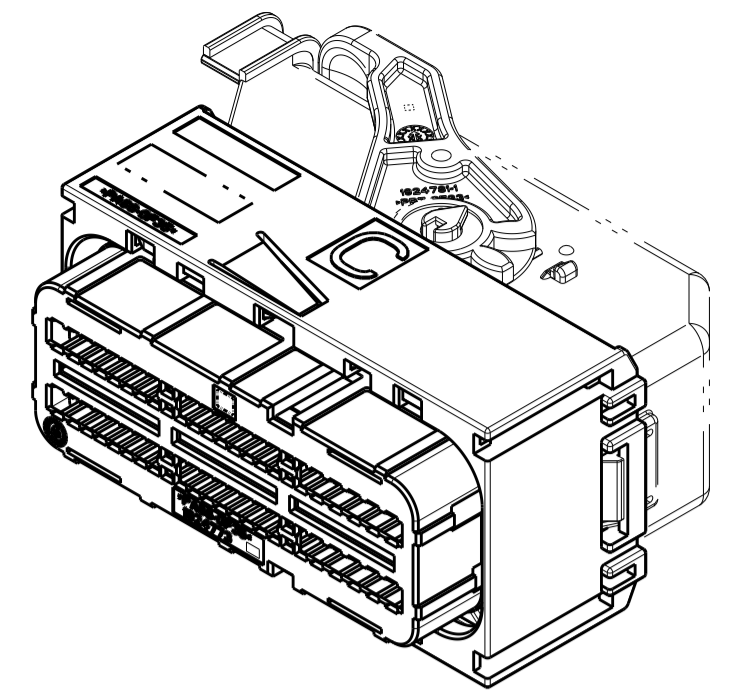
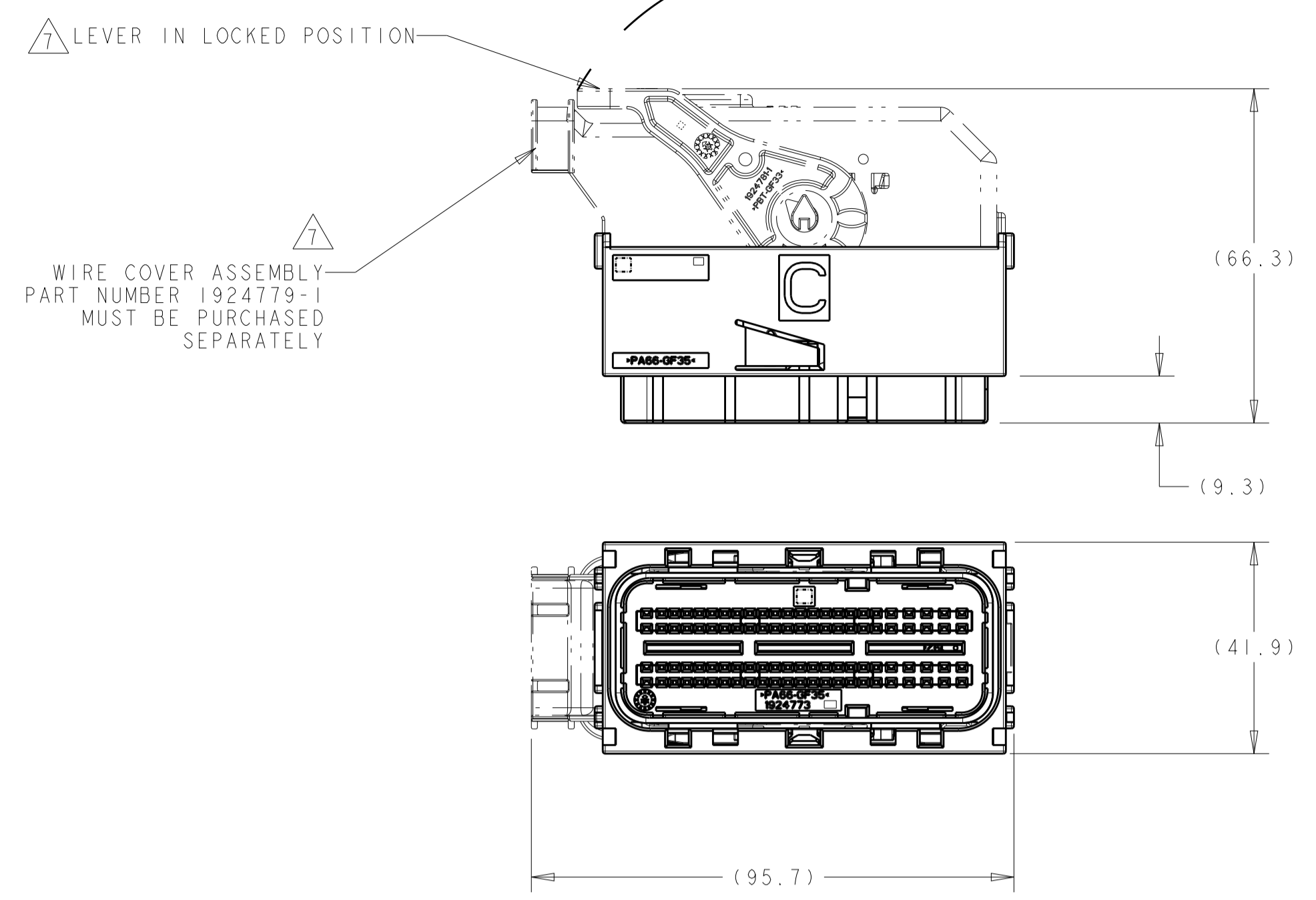
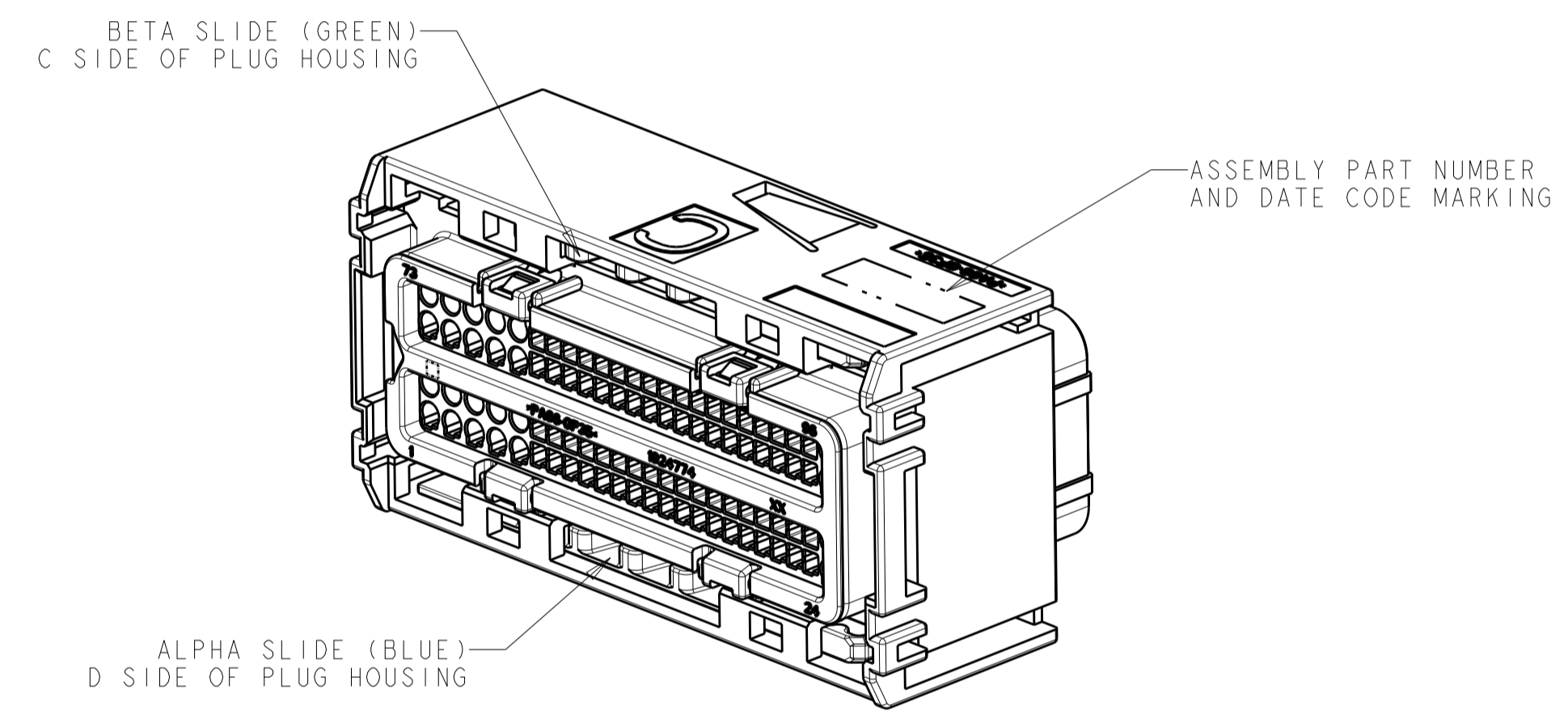
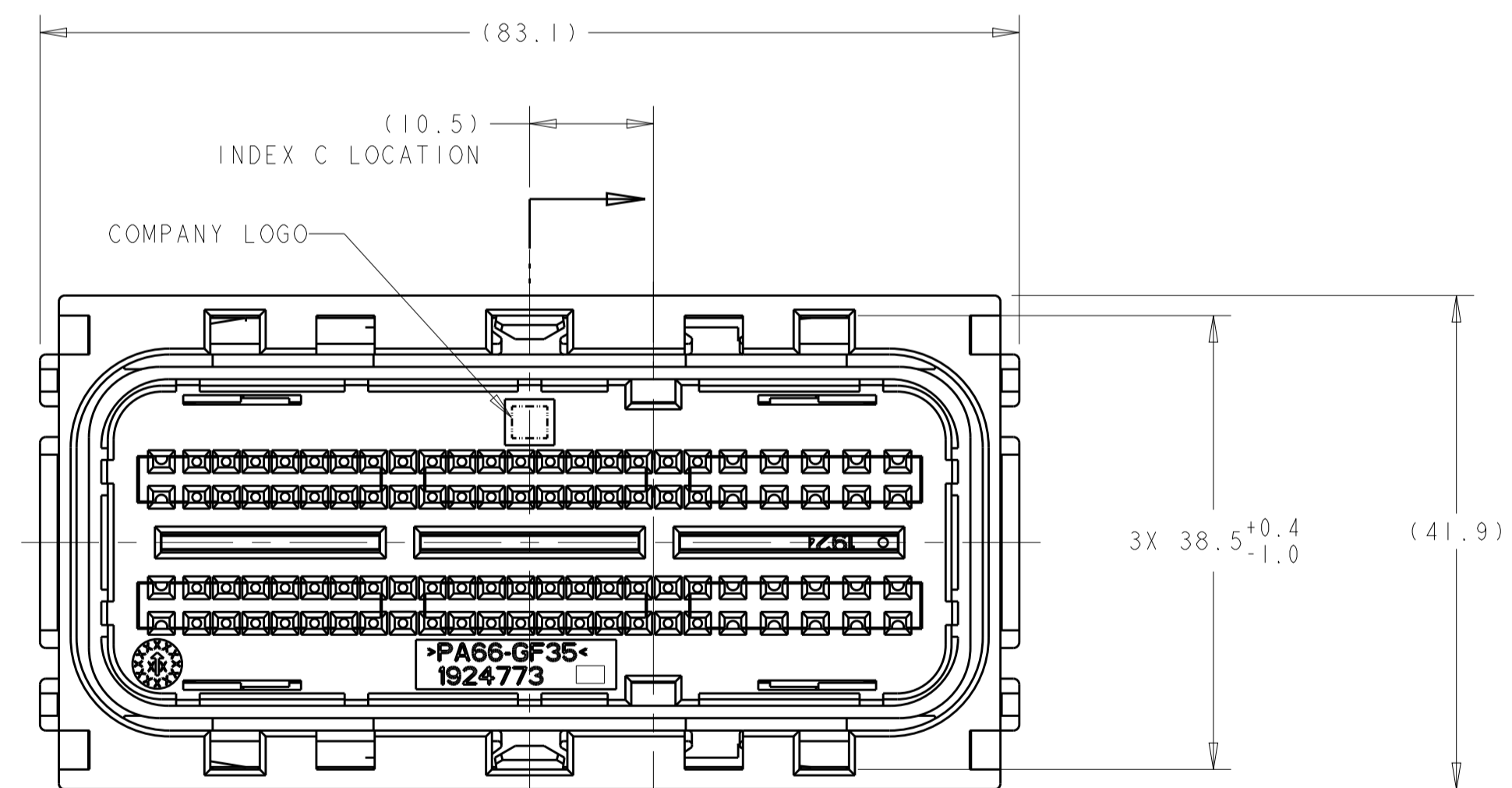
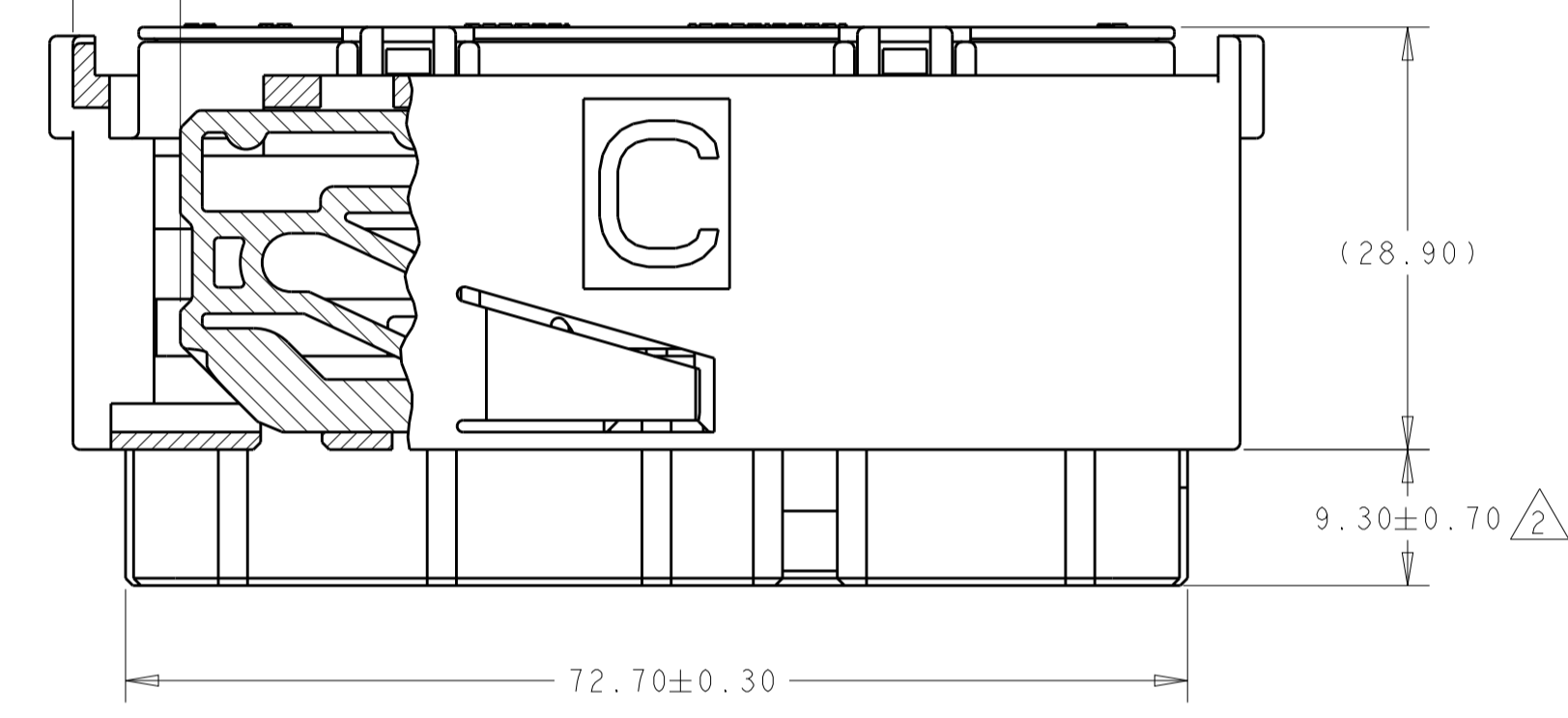
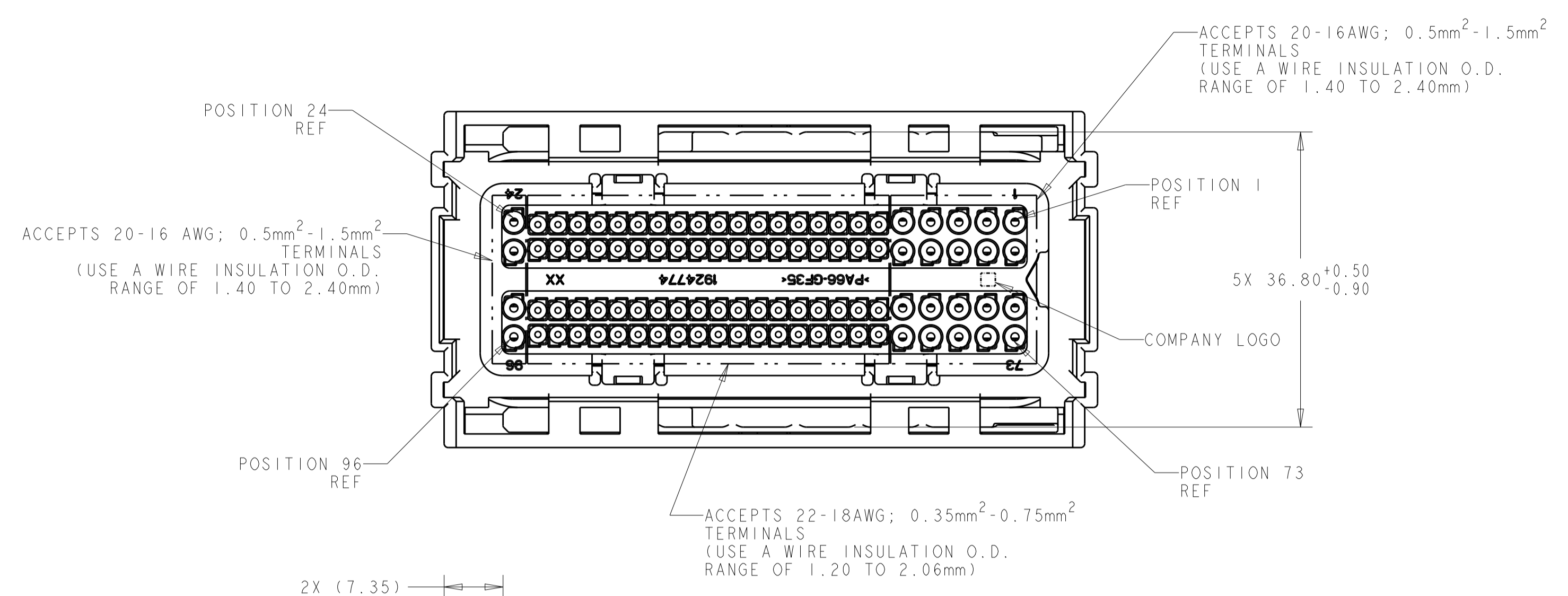


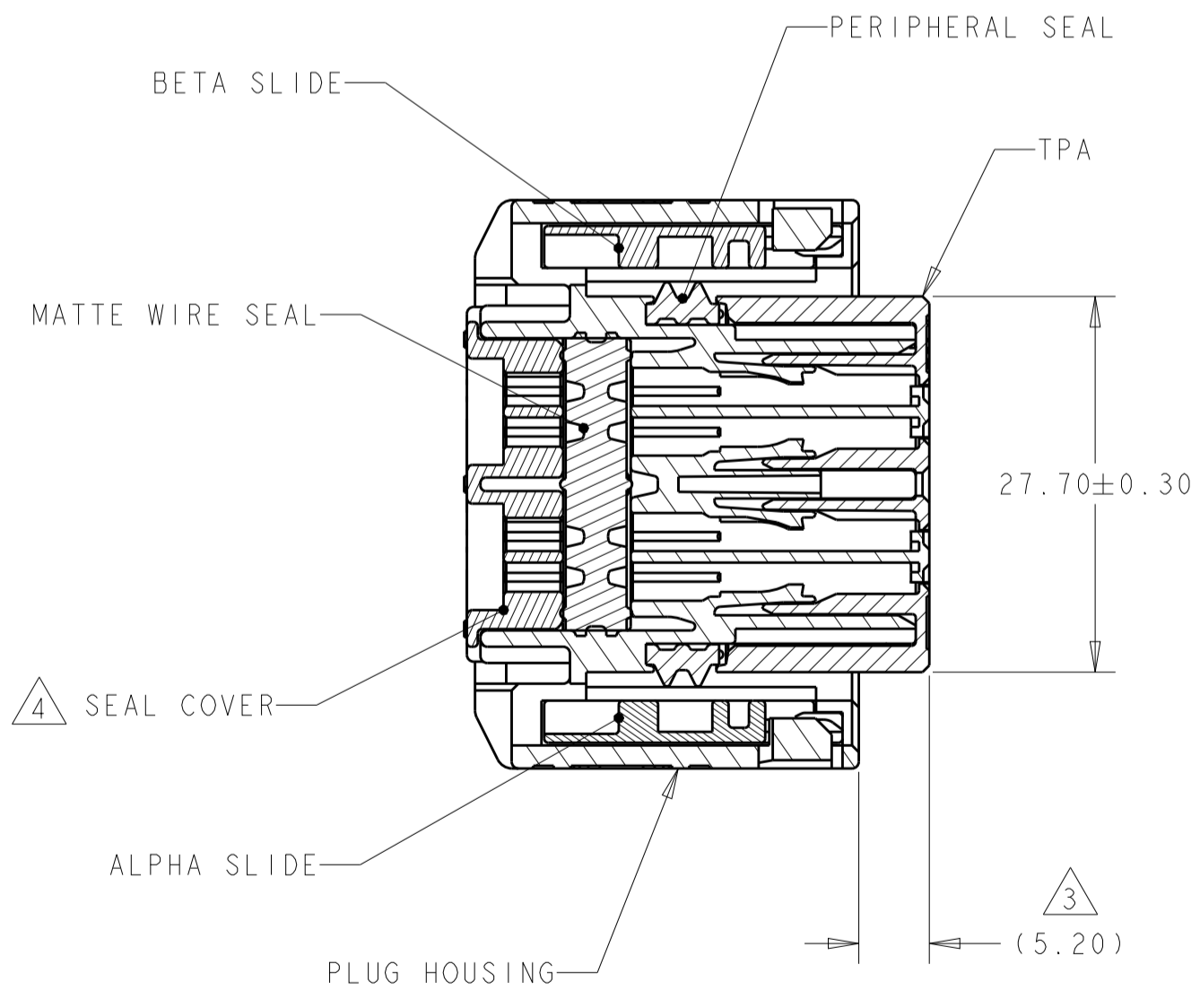
REVISIONS				
P.	LTN	DESCRIPTION	DATE	APVD
C		REVISED PER ECO-16-005492	11APR2016	DLD WEM
C1		REVISED PER ECO-16-010315	12JUL2016	DLD WEM



LEFT EXIT PLUG ASSEMBLY SHOWN WITH OPTIONAL WIRE COVER ASSEMBLY (MUST BE PURCHASED SEPARATELY) SCALE 1:1



(METHOD FOR IDENTIFYING EXIT ORIENTATION)



1. PLUG HOUSING AND SEAL COVER: NYLON 6/6, BLACK.
 TPA: NYLON 6/6, COLOR - SEE TABLE.
 MATTE WIRE SEAL: SILICONE, LIGHT BLUE.
 PERIPHERAL SEAL: SILICONE, GREEN.
 ALPHA SLIDE: NYLON 6/6, BLUE.
 BETA SLIDE: NYLON 6/6, GREEN.
2. TPA SHOWN IN PRE-LATCHED, AS SHIPPED, POSITION.
3. TPA SHOWN IN CLOSED POSITION.
4. SEE TABLE ON SHEET 2 FOR SEAL COVER PIN OUT CONFIGURATION.
5. PLUG ASSEMBLY MATES WITH TYCO ELECTRONICS INTERFACE DRAWING 1924771-INT, POLARIZATION C.
6. PLUG ASSEMBLY WILL ACCEPT THE FOLLOWING GET TERMINAL PART NUMBERS: 1393364-1 (GOLD 22AWG; 0.35mm²)
 1393365-1 (GOLD 18-20AWG; 0.75mm²-0.5mm²)
 1924878-1 (TIN/SILVER 22AWG; 0.35mm²)
 1924879-1 (TIN/SILVER 18-20AWG; 0.75mm²-0.5mm²)
 1924782-1 (TIN/SILVER 1.0mm²)
 1924880-1 (TIN/SILVER 16AWG; 1.5mm²)
7. WIRE DRESS ASSEMBLY MUST BE INSTALLED ONTO PLUG ASSEMBLY WITH LEVER IN LOCKED POSITION.
8. APPLICATION SPEC'S: 408-10229, 408-10230.
9. NOTE DELETED.
10. FORCE TO SEAT TPA COMPONENT FROM PRE-SET TO LOCKED (FULLY LOADED W/ TERMINALS) TO BE 83N MAX.
11. FORCE TO MOVE TPA FROM FULLY LOCKED TO PRE-SET TO BE 115N MAX. FLAT BLADE SCREWDRIVER SUGGESTED FOR REMOVAL OF TPA.

SEE TABLE, SH 2	TAN	C	1924942-3
SEE TABLE, SH 2	TAN	C	1924942-2
ALL OPEN	TAN	C	1924942-1
BLOCKED CIRCUITS	TPA COLOR	INDEX REF	PART NUMBER

THIS DRAWING IS A CONTROLLED DOCUMENT.

OWN: D. J. HARDY 29NOV2007
 CHK: A. J. VASBINDER 03DEC2007
 APVD: A. J. VASBINDER 03DEC2007

DIMENSIONS: mm

TOLERANCES UNLESS OTHERWISE SPECIFIED:

0 PLC	±
1 PLC	±
2 PLC	±0.25
3 PLC	±
4 PLC	±
ANGLES	±

MATERIAL: FINISH:

WEIGHT:

CUSTOMER DRAWING

NAME: PLUG ASSEMBLY, 96 POSITION, INDEX C - LEFT EXIT, SEALED, GPEC 11

SIZE: A1 CAGE CODE: 100779 DRAWING NO: 1924942 RESTRICTED TO: C1

SCALE: 2:1 SHEET 1 OF 2

