

NOTES:

- 1.0 MATERIAL & FINISH:
  - 1.1 HOUSING & COUPLING NUT: PASSIVATED STAINLESS STEEL
  - 1.2 DIELECTRIC: PTFE (TEFLON)
  - 1.3 CENTER CONTACT: GOLD PLATED BERYLLIUM COPPER
  - 1.4 GASKET: SILICONE RUBBER

2.0 SPECIFICATIONS:

- 2.1 FREQUENCY RANGE: DC TO 18.0 GHZ
- 2.2 ATTENUATION ACCURACY:

0dB:	+0.3/-0dB
1 - 6dB:	±0.30dB
6.5 - 20dB:	±0.5dB
20.5 - 30dB:	±1.0dB

2.3 MAXIMUM VSWR: 1.07 + 0.015f (GHz)

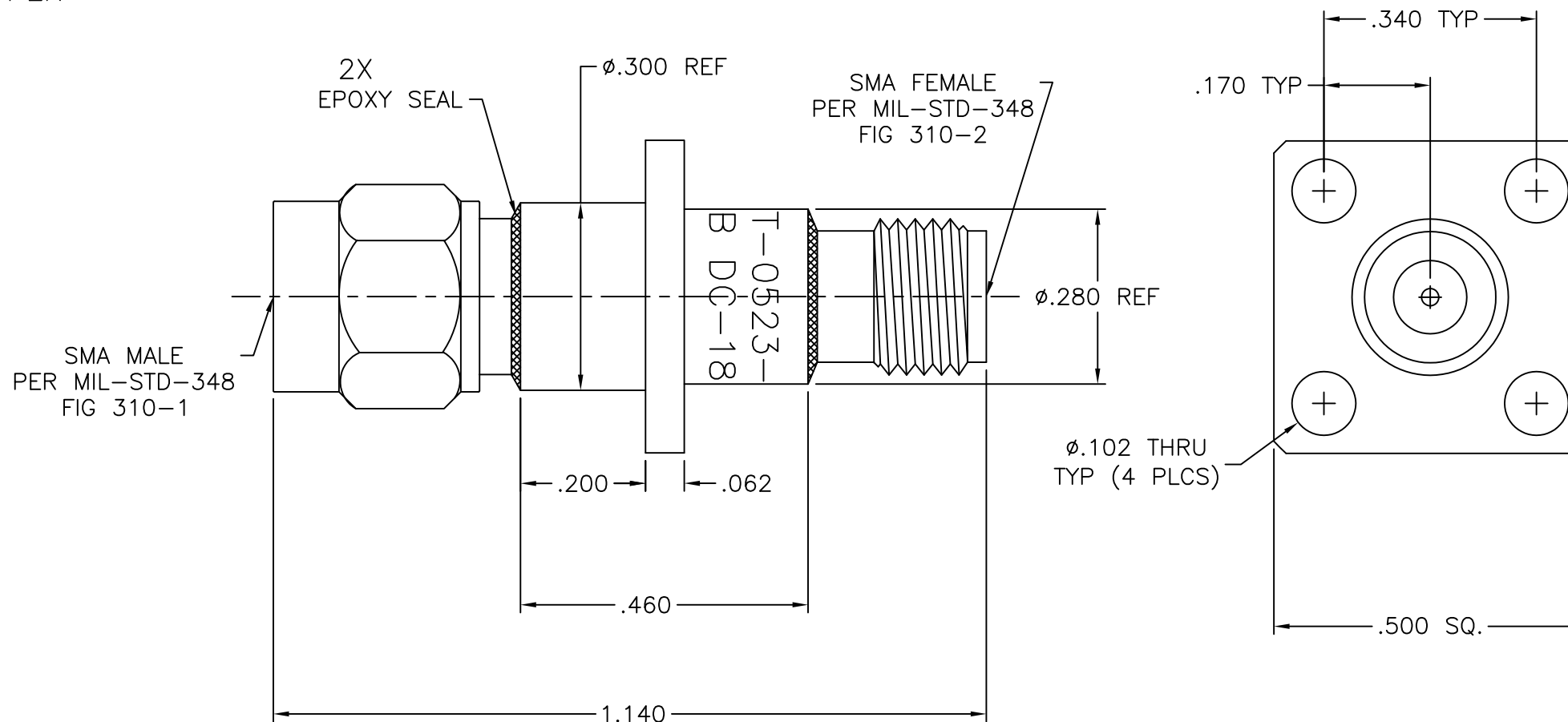
2.4 MAXIMUM INPUT POWER:


2.4.1 AVERAGE: 2 WATTS AT +25°C DERATED LINEARLY TO 0.5 WATTS AT +125°C

2.4.2 PEAK: 200 WATTS FOR A DUTY CYCLE OF  $5 \times 10^{-4}$ , MAX PULSE DURATION OF 5 MICROSECONDS.

2.5 OPERATING TEMP. RANGE: -65°C TO +125°C

2.6 IMPEDANCE: 50 OHMS NOMINAL



NOTICE: The information contained in this drawing is proprietary and must not be used without the permission of Emerson Network Power.		CAGE CODE <b>34078</b>	<b>MIDWEST MICROWAVE</b>	
UNLESS OTHERWISE NOTED DIMENSIONS ARE IN INCHES AND TOLERANCES ARE: 3 PLACE DECIMALS ±.005 2 PLACE DECIMALS ±.02 FRACTIONS ±1/64 PARALLELITY: T.I.R. _____ FLATNESS: T.I.R. _____ CONCENTRICITY: T.I.R. _____ ANGLES AND PERPENDICULARITY: ±1°				TITLE  ATTENUATOR, FLANGE MOUNT 0 - 30dB
DRAWN/DATE A.BEATTY 7/19/91	ENG./DATE G.KOZAK 7/19/91	DRAWING NUMBER ATT-0523-XX-SMA-02-01		REV. J
CHECKED/DATE C.RICKARD 7/19/91	APPROVED/DATE J. KEREKES 3/10/15	SCALE: 4.5=1	SHEET 1 of 1	

REV.	DESCRIPTION	DATE
I	RELEASED	5/10/82
A	ECR 1616	8/2/82
B	ECR 3603	5/22/85
C	ECR 6545 (RENUMBER)	7/20/89
D	ECN 10779	7/19/91
E	ECN 11260	11/26/91
F	ECN 12565	4/14/93
G	ECN 13324	2/10/94
G1	ADDED TITLEBLOCK	4/7/05
H	ECO 24021	1/03/12
J	ECO 25205	3/10/15