

THIS DRAWING IS UNPUBLISHED. RELEASED FOR PUBLICATION  
 © COPYRIGHT - By - ALL RIGHTS RESERVED.

LOC	DIST	REVISIONS					
FT	0	P	LTR	DESCRIPTION	DATE	DWN	APVD
			B	REVISED PER ECO-11-023039	16FEB12	KH	MS

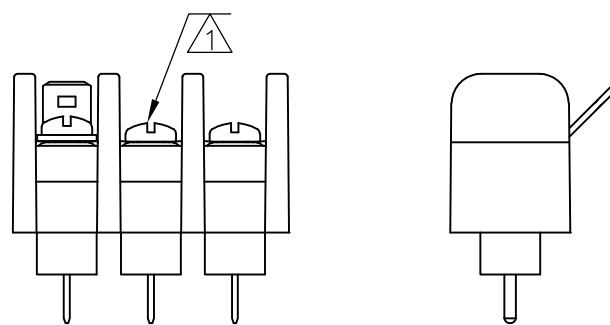
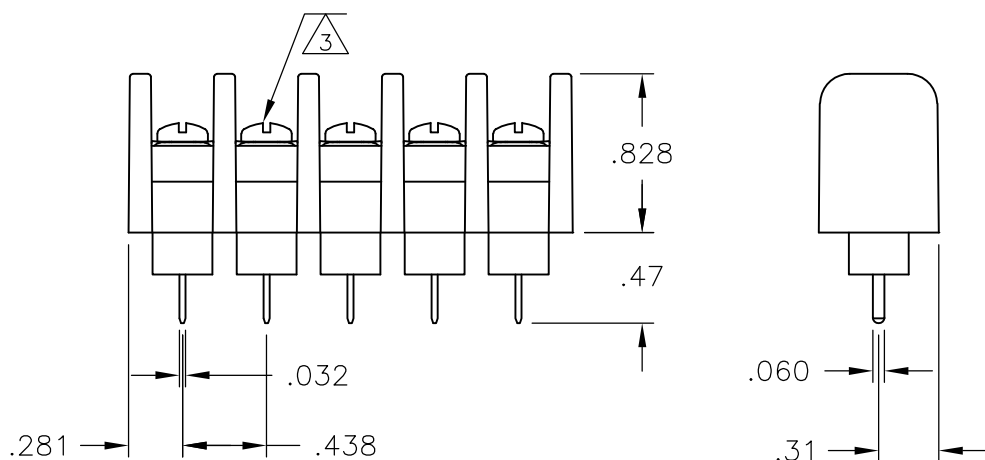
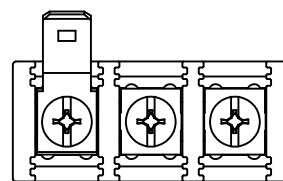
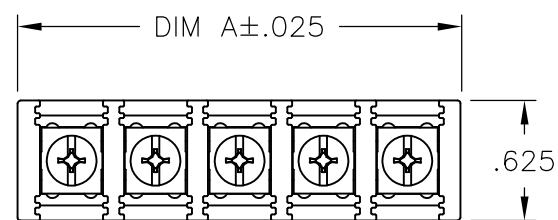
**MATERIAL:**  
 HOUSING: THERMOPLASTIC, UL94V-2.  
 TERMINALS: BRASS, BRIGHT TIN PLATE.  
 SCREWS: 6-32, STEEL, ZINC PLATED.

**ELECTRICAL:**  
 MAXIMUM CURRENT: 20A  
 OPERATING VOLTAGE: 600V  
 WIRE RANGE: 12-22 AWG

**ENVIRONMENTAL:**  
 OPERATING TEMP.: -60°C TO 105°C

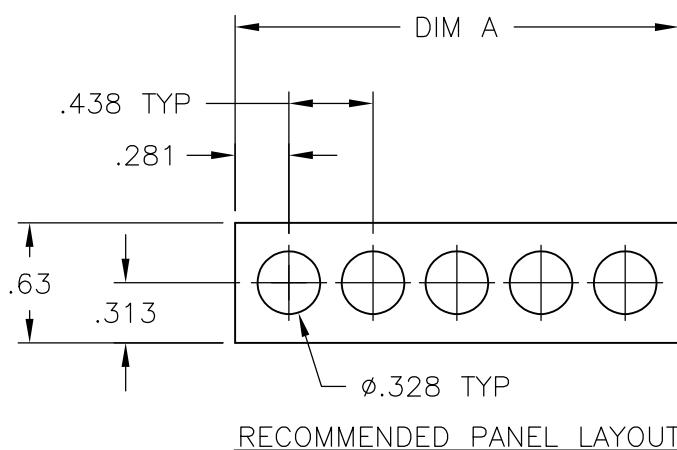
- 1 SCREWS BOTTOMED.
- 2 PRELIMINARY PART NUMBER.
- 3 ALL SCREWS BOTTOMED, TORQUE 2 TO 4 IN-LBS

11.937	27	SSB7TP270401	2-1546978-7
11.500	26	SSB7TP260401	2-1546978-6
11.062	25	SSB7TP250401	2-1546978-5
10.625	24	SSB7TP240401	2-1546978-4
10.187	23	SSB7TP230401	2-1546978-3
9.750	22	SSB7TP220401	2-1546978-2
9.312	21	SSB7TP210401	2-1546978-1
8.875	20	SSB7TP200401	2-1546978-0
8.437	19	SSB7TP190401	1-1546978-9
8.000	18	SSB7TP180401	1-1546978-8
7.562	17	SSB7TP170401	1-1546978-7
7.125	16	SSB7TP160401	1-1546978-6
6.687	15	SSB7TP150401	1-1546978-5
6.250	14	SSB7TP140401	1-1546978-4
5.812	13	SSB7TP130401	1-1546978-3
5.375	12	SSB7TP120403	2-1546978-8
5.375	12	SSB7TP120401	1-1546978-2
4.937	11	SSB7TP110401	1-1546978-1
4.500	10	SSB7TP100401	1-1437417-7
4.062	9	SSB7TP090401	1546978-9
3.625	8	SSB7TP080401	1546978-8
3.187	7	SSB7TP070401	1546978-7
2.750	6	SSB7TP060401	1546978-6
2.312	5	SSB7TP050401	1546978-5
1.875	4	SSB7TP040401	1546978-4
1.437	3	SSB7TP03040424SPL1	2-1546978-9
1.437	3	SSB7TP030404	1-1437417-0
1.437	3	SSB7TP030401	1546978-3
1.000	2	SSB7TP020401	1546978-2
DIM A	NO. OF POS.	CATALOG NUMBER	PART NUMBER



2-1546978-9

SEE FIGURE 2



THIS DRAWING IS A CONTROLLED DOCUMENT.		DWN S SCHL GEL 7/10/06	TE Connectivity			
DIMENSIONS: INCHES		CHK S YODER 7/10/06				
TOLERANCES UNLESS OTHERWISE SPECIFIED:		APVD S YODER 7/10/06	NAME			
0 PLC ± - 1 PLC ± - 2 PLC ± .02 3 PLC ± .010 4 PLC ± - ANGLES ± 1°		PRODUCT SPEC	SSB7TPXX0401			
MATERIAL		APPLICATION SPEC	SIZE	CAGE CODE	DRAWING NO	RESTRICTED TO
FINISH		WEIGHT	A3	00779	C-1-1437417-0	-
CUSTOMER DRAWING			SCALE	SHEET	REV	
			NTS	1 OF 1	B	