

Patch panels - FL-PP-RJ45/RJ45-B - 2904933

Please be informed that the data shown in this PDF Document is generated from our Online Catalog. Please find the complete data in the user's documentation. Our General Terms of Use for Downloads are valid (<http://phoenixcontact.com/download>)



Patch panel, narrow design width, extended temperature range, two RJ45 sockets, 1:1 assignment, consistent shield, CAT5e, 10/100 Mbps, DIN rail mounting, IP20

Why buy this product

- CAT5e
- Mounting on a DIN rail
- 10/100 Mbps
- Easy and convenient extension for RJ45 cable
- 1:1 connection
- Extended temperature range of -40°C...85°C



Key Commercial Data

Packing unit	10 STK
GTIN	
GTIN	4046356900836

Technical data

Dimensions

Caption	Slim design
Width	22.5 mm
Height	78 mm
Depth	44 mm

Ambient conditions

Ambient temperature (operation)	-40 °C ... 85 °C
Ambient temperature (storage/transport)	-40 °C ... 85 °C
Permissible humidity (operation)	25 % ... 95 % (non-condensing)
Degree of protection	IP20

General

Patch panels - FL-PP-RJ45/RJ45-B - 2904933

Technical data

General

Net weight	41.7 g
Housing material	PA 6.6-FR
Color	green

Serial interface

Interface 1	Ethernet interface, 10/100/1000Base-T(X) according to IEEE 802.3u
No. of ports	1
Connection method	RJ45 CAT5
Transmission length	100 m (including patch cables)
Pin assignment	1:1
Serial transmission speed	10/100 Mbps
Interface 2	Ethernet interface, 10/100/1000Base-T(X) according to IEEE 802.3u
No. of ports	1
Connection method	RJ45 CAT5

Standards and Regulations

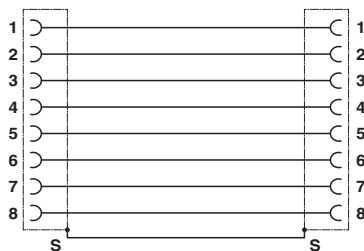
Noxious gas test	ISA-S71.04-1985 G3 Harsh Group A
------------------	----------------------------------

Environmental Product Compliance

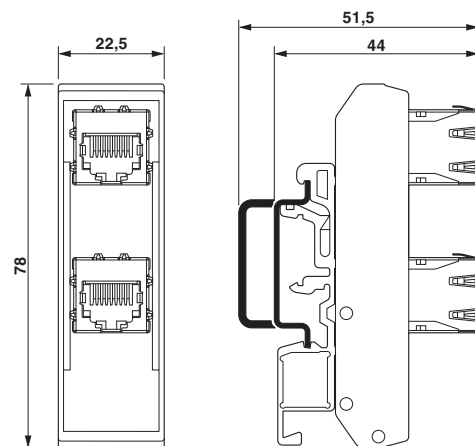
China RoHS	Environmentally friendly use period: unlimited = EFUP-e
	No hazardous substances above threshold values

Drawings

Block diagram



Dimensional drawing



Slim design

Phoenix Contact 2018 © - all rights reserved
<http://www.phoenixcontact.com>

PHOENIX CONTACT GmbH & Co. KG
Flachmarktstr. 8
32825 Blomberg
Germany
Tel. +49 5235 300
Fax +49 5235 3 41200
<http://www.phoenixcontact.com>