

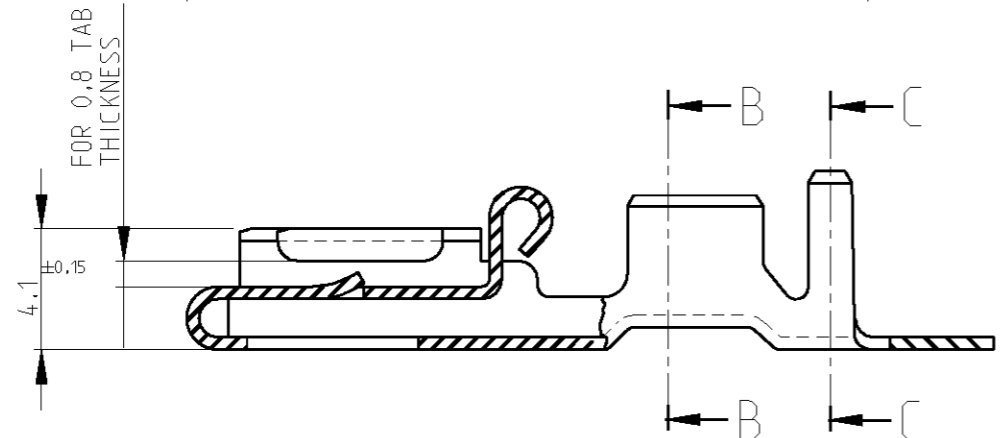
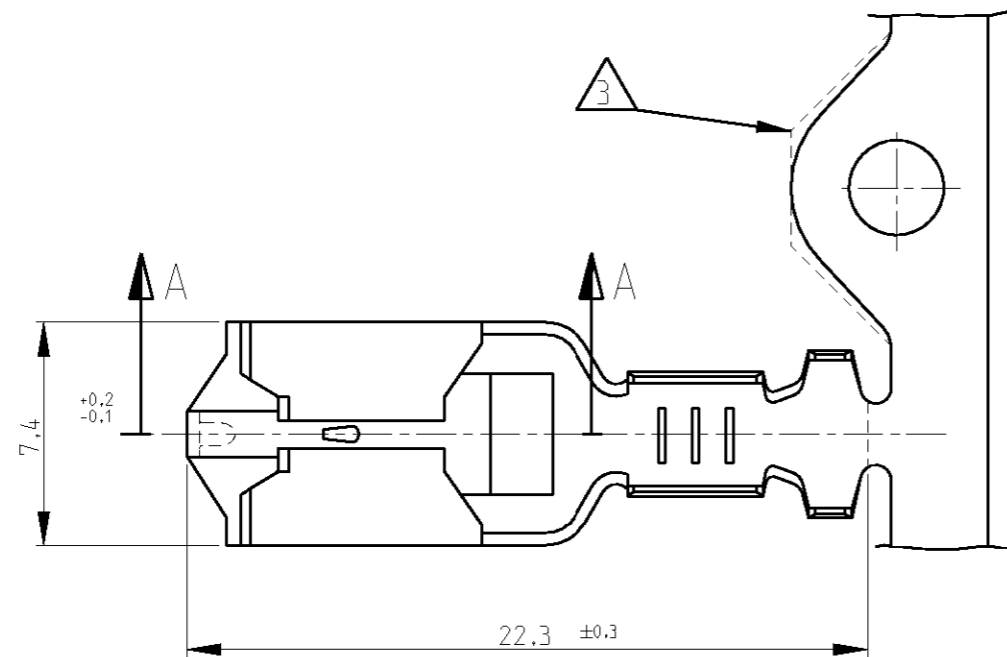
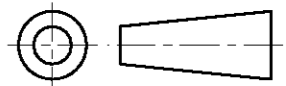
DO NOT SCALE

DIMENSIONS IN mm

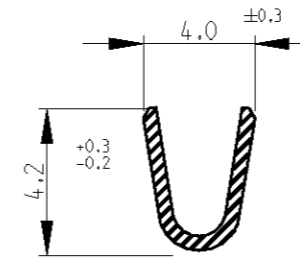
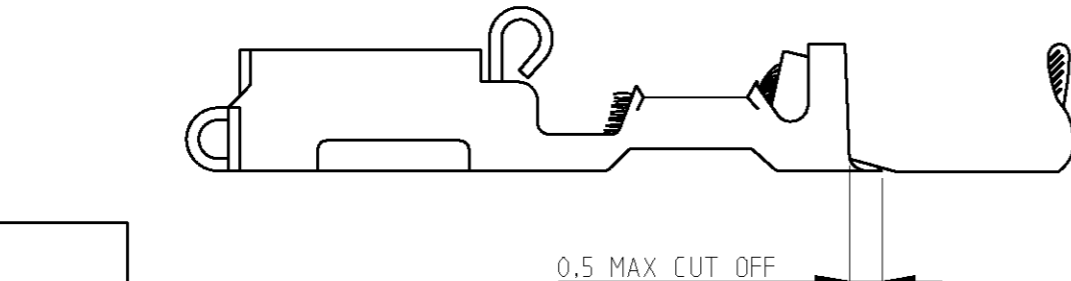
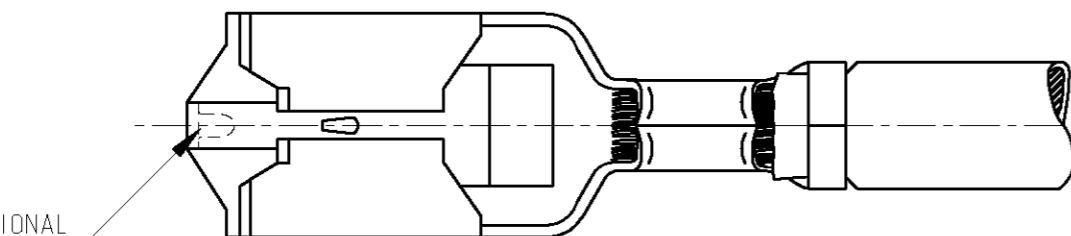
METRIC

THIRD ANGLE

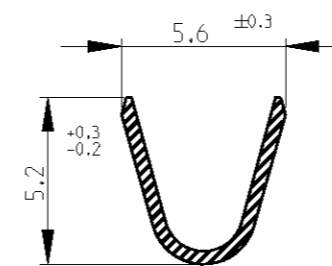
PROJECTION



SECTION A-A



SECTION B-B



SECTION C-C

NOTES:

- 1 FOR USE ON MINIATURE APPLICATOR (LEFT-RIGHT FEED)
- 2 REELED WITH PAPER.
- 3 CONFIGURATION OF CARRIER-STRIP OPTIONAL.
- 4 FOR USE ON MINIATURE APPLICATOR (LEFT-RIGHT FEED) AMP-O-MATOR APPLICATION.
- 5 **OBSOLETE PARTS: OBSOLETE CIS STREAMLINING PER D.RENAUD/D.SINISI**

5 OBSOLETE	PRE-TIN PLATED	PH.BRONZE	4	<del>6-160831-8</del>
	PRE-TIN PLATED	BRASS	4	<del>6-160831-7</del>
5 OBSOLETE	TIN PLATED	PH.BRONZE	4	1-160831-2
	UNPLATED	BRASS	4	1-160831-1
	TIN PLATED	BRASS	4	<del>1-160831-0</del>
5 OBSOLETE	UNPLATED	NICKEL-SILVER		0-160831-9
	SILVERPLATED	PH.BRONZE		<del>0-160831-8</del>
	SILVERPLATED	BRASS		<del>0-160831-7</del>
	UNPLATED	BRASS	2	<del>0-160831-6</del>
	UNPLATED	PH.BRONZE	2	<del>0-160831-5</del>
	TIN PLATED	PH.BRONZE		0-160831-4
	TIN PLATED	BRASS		0-160831-3
	UNPLATED	PH.BRONZE		0-160831-2
	UNPLATED	BRASS		0-160831-1
	FINISH	MATERIAL		PART NUMBER

WIRE RANGE :	1.0-2.5 mm?
INSULATION RANGE :	3.0-4.3mm DIA.

CUSTOMER DRAWING				FOR REFERENCE ONLY WILL NOT BE UPDATED	
THIS DRAWING IS UNPUBLISHED RELEASED FOR PUBLICATION					
<b>STE</b> TE Connectivity					
NAME					
M2 ECO-11-005294 RK HMR 19APR11				POSITIVE LOCK RECEPTACLE .250 (6,35) SERIES	
LTR.	REVISION RECORD	DR.	CHK.	DATE	DWG.No.
DR.:	J.v.LIEMPT	CHK.:	MvDRIEL	APP.:	M.v.DRIEL
DATE:	07 FEB 97	DATE:	18 FEB 02	DATE:	18 FEB 02
				REV.LTR.	SHEET
				M2	1 OF 1