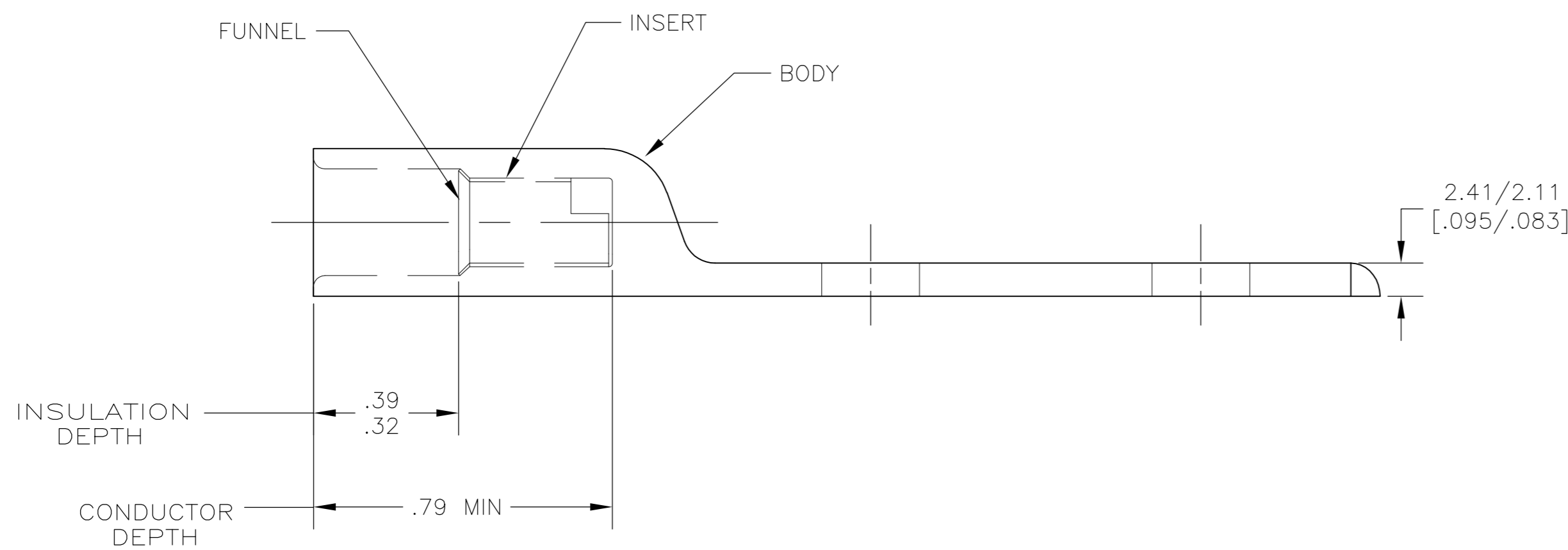
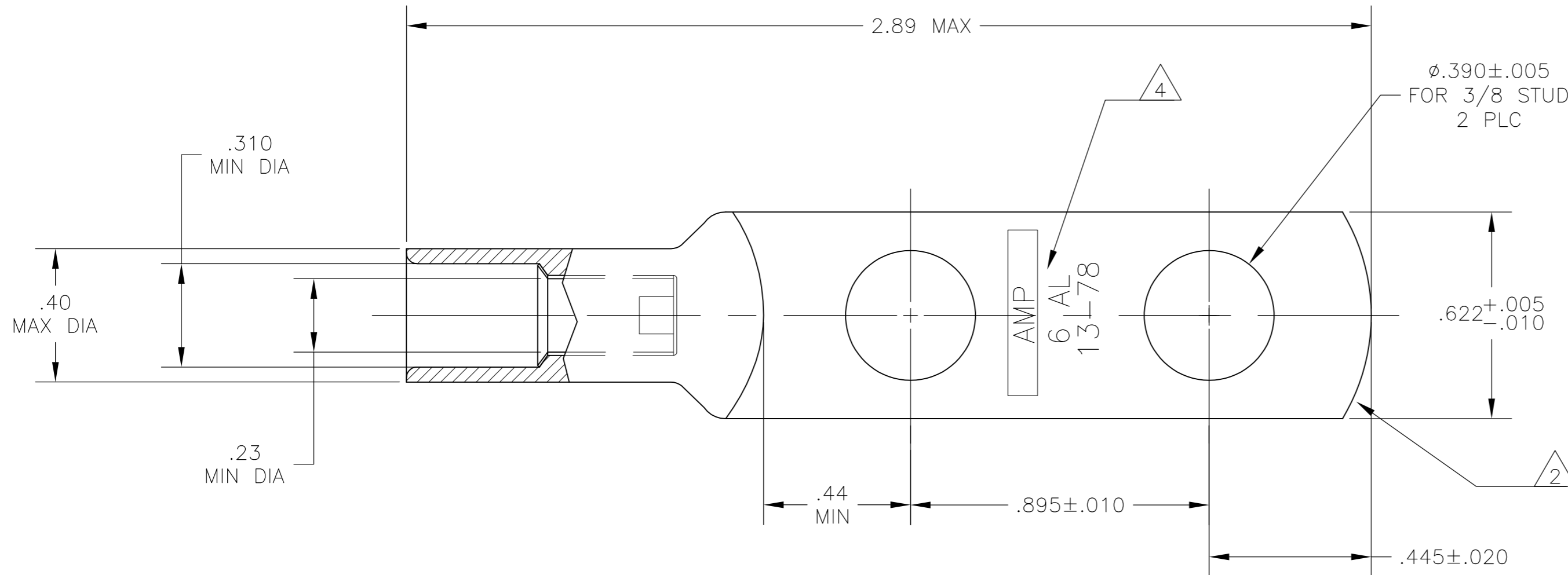


THIS DRAWING IS UNPUBLISHED. RELEASED FOR PUBLICATION  
 © COPYRIGHT - By - ALL RIGHTS RESERVED.

LOC	DIST	REVISIONS					
		P	LTR	DESCRIPTION	DATE	DWN	APVD
G	86		B	REV PER ECO-12-008336	20JUN12	PY	BW



4	INSERT & FUNNEL: BRASS MIL-C-50 NICKEL PL QQ-N-290 .000300 AVG THK		5 696951-1
	BODY: COPPER ASTM-B187 ANNEALED TIN PL PER ASTM B-545 .000150 MIN THK		
STAMP	MATERIAL & FINISH		PART NO.
THIS DRAWING IS A CONTROLLED DOCUMENT.		DWN JR RUTH 10may06	TE Connectivity
DIMENSIONS: INCHES		CHK MJ SPICER 10MAY06	
TOLERANCES UNLESS OTHERWISE SPECIFIED:		APVD MJ SPICER 10MAY06	NAME WIRE TERMINAL, RING TONGUE, SEALED COPALUM, WIRE SIZE: 6 ALUMINUM
0 PLC ± - 1 PLC ± - 2 PLC ± .01 3 PLC ± .008 4 PLC ± - ANGLES ± -		PRODUCT SPEC APPLICATION SPEC	
MATERIAL SEE TABLE	FINISH SEE TABLE	WEIGHT 25 GRAMS	RESTRICTED TO -
CUSTOMER DRAWING		SCALE 2:1	SHEET 1 of 1
		REV B	