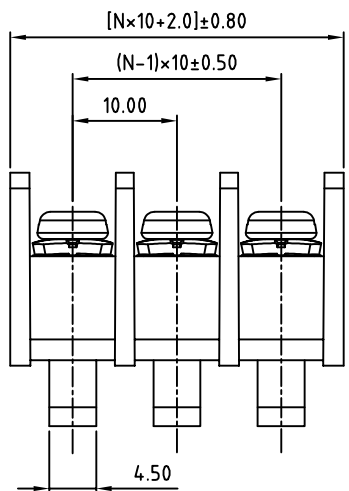
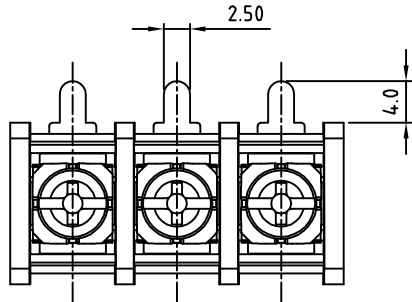
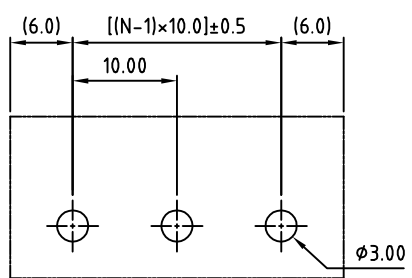


SIGN	DATE	DESCRIPTION	APPROVER

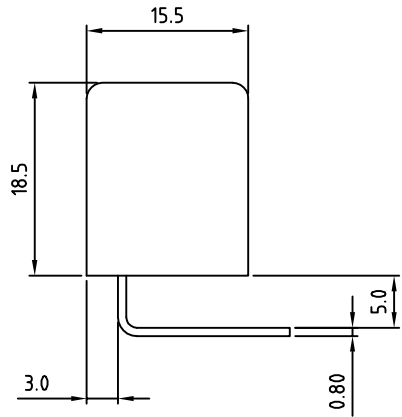
THIS IS CAD DRAWING, DO NOT REVISE MANUALLY!!!



N= Number of poles



PCB Layout



SPECIFICATIONS

- VOLTAGE & CURRENT: 300 V, 25 A
 WITHSTANDING VOLTAGE: AC 2000 V/Min
 INSULATION RESISTANCE: 1000 MΩ OR MORE AT DC 500 V
 TEMPERATURE RANGE: -40 °C ±105 °C
 SCREW TORQUE VALUE: 8.8 Lb-In.
 WIRE RANGE: 22 - 12 AWG
 1) MOLDED PARTS: THERMOPLASTIC, UL 94 V-0 BLACK
 2) TERMINAL: BRASS, 0.8t, Tin PLATED
 3) TERMINAL SCREWS: STEEL, Ni PLATED, M3.5

APPROVAL: RoHS Compliant

PART NUMBER: OSTYK611XX030

NO. OF POLES ————

02: 2 POLES
 03: 3 POLES
 04: 4 POLES
 :
 30: 30 POLES



THESE DRAWINGS AND SPECIFICATIONS ARE THE PROPERTY OF ON-SHORE TECHNOLOGY, INC. AND SHALL NOT BE REPRODUCED, COPIED OR USED IN ANY MANNER WITHOUT THE PRIOR WRITTEN CONSENT OF ON-SHORE TECHNOLOGY, INC.

TITLE		OSTYK-611 W/O Flange Series				
PART NO.		OSTYK611XX030		DWG NO.		OSTYK611XX030.DWG
APPROVED		CHECKED	DESIGNED	DRAWN	CUST NO.	Tolerance
Shi Jun 2007.07.18		Seamus 2007.07.18	LUCY 2007.7.18	LUCY 2007.7.18		UNIT: mm SCALE: NONE
				SHEET: 01/01		REV.: B
						X. ±0.50 X.X ±0.30 X.XX ±0.10 X° ±1°