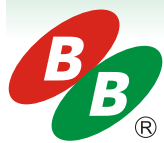




Measures Technology Values Innovation



VRLA Rechargeable Battery

BC8-12

FEATURES

- Maintenance free(no water topping-up required)
- No free acid(Non-spillable battery)
- Can be used in any orientation(excluding used inverted)
- Absorbent Glass Mat technology for efficient gas recombination
- Its design life is up to 5 years in floating application

APPLICATION

- UPS
- Laboratory Equipment
- Power Packs
- Fishing Lights



SPECIFICATIONS

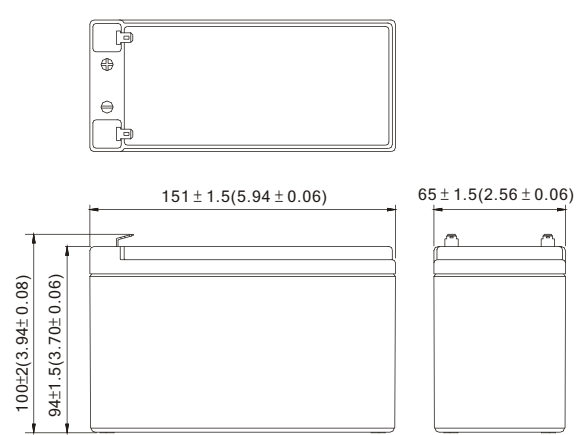
Nominal Voltage	12V	
Nominal Capacity	20 Hour Rate (400mA, 10.5V)	8.00 Ah
	10 Hour Rate (741mA, 10.5V)	7.41 Ah
	5 Hour Rate (1275mA, 10.5V)	6.38 Ah
	1 Hour Rate (4600mA, 9.60V)	4.60 Ah
Approx. Weight	2200g(4.85lbs.)	
Terminals	T2 (Faston Tab 250) T1 is optional	
Max. Discharge Current	120 A (5 sec.)	
Max. Charge Current	2.4 A	
Operating Temperature Range	Charge	0°C~40°C(32°F~104°F)
	Discharge	-20°C~50°C(-4°F~122°F)
	Storage	-20°C~40°C(-4°F~104°F)
Self Discharge	< 3% per month (25°C)	
Internal Resistance	≤25mΩ (Fully Charged)	

CONTAINER MATERIAL

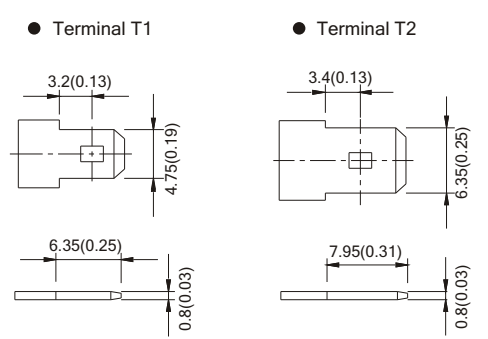
Standard: ABS(UL 94-HB)
 Model Name: BC8-12
 Optional: Flame Retardant ABS(UL 94-V0)
 Model Name: BC8-12FR

● IEC61056 ● JIS C 8702
 ● GB/T 19639

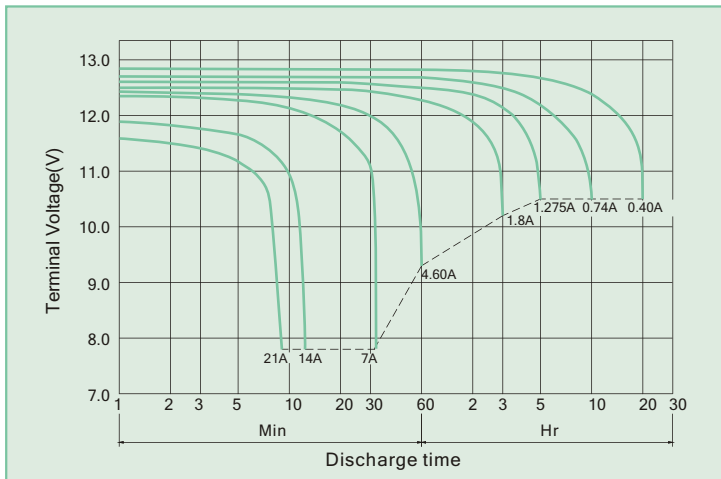
OUTER DIMENSIONS mm(inch)	Length (L)	Width (W)	Container Height (H)	Total Height (TH)
	151±1.5(5.94±0.06)	65±1.5(2.56±0.06)	94±1.5(3.70±0.06)	100±2.0(3.94±0.08)



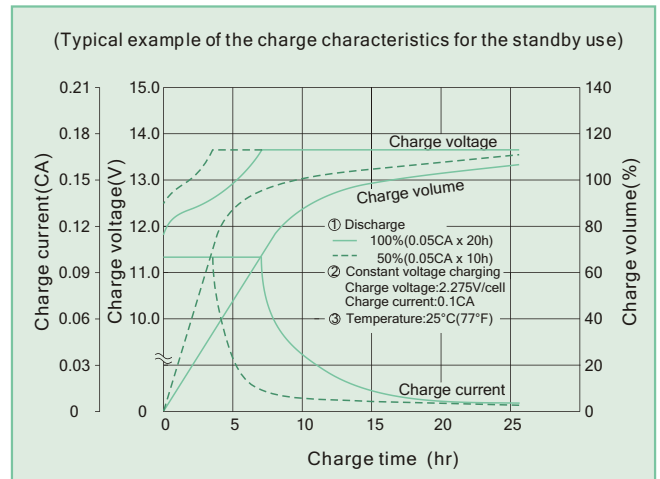
TERMINAL TYPE



BC8-12 (BC8-12FR) discharge characteristics (25°C/77°F)



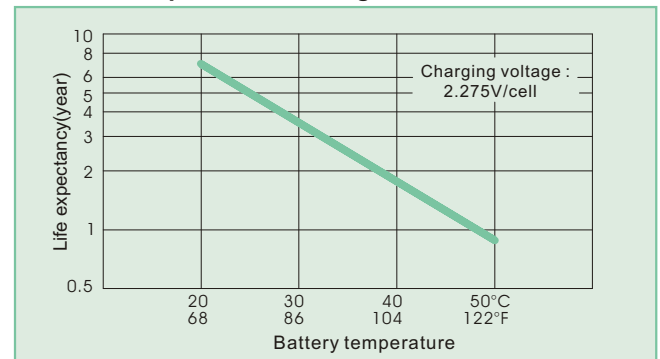
Battery Charging Characteristics



Charging Procedure

Application	Charging method	Charging Voltage at 25°C (V/cell)	Temperature compensation coefficient of charging voltage (mV/°C/cell)	Max. charging current (CA)	Charging time 0.1CA, 25°C (h)		Temp (°C)
					100% discharge	50% discharge	
For standby power Source	Constant voltage & Constant current charging (with current restriction)	2.25~2.30	-3	0.3	24	20	0~40 (32~104°F)
For cycle service		2.40~2.50	-4	0.3	16	10	

Effect Of Temperature On Long Term Float Life



Constant power discharge characteristics at 25 °C/77 °F Unit: W

F.V. (V/cell) \ Discharge Time	5 Min	10 Min	15 Min	30 Min	1 Hr	3 Hr	5 Hr	10 Hr	20 Hr
1.80V	253	186	149	88.8	50.9	20.98	15.08	8.76	4.73
1.75V	293	202	156	92.2	52.5	21.40	15.30	8.89	4.80
1.70V	311	209	161	94.3	53.4	21.60	15.39	8.94	4.82
1.65V	325	214	165	95.6	54.1	21.75	15.44	8.96	4.85
1.60V	336	218	168	96.6	54.6	21.88	15.48	8.96	4.85

Constant current discharge characteristics at 25 °C/77 °F Unit: A

F.V. (V/cell) \ Discharge Time	5 Min	10 Min	15 Min	30 Min	1 Hr	3 Hr	5 Hr	10 Hr	20 Hr
1.80V	22.8	16.4	13.0	7.53	4.28	1.75	1.256	0.730	0.394
1.75V	26.9	17.8	13.6	7.81	4.41	1.78	1.275	0.741	0.400
1.70V	28.6	18.4	14.0	7.99	4.49	1.80	1.281	0.744	0.402
1.65V	29.8	18.8	14.3	8.11	4.54	1.81	1.287	0.747	0.403
1.60V	30.8	19.2	14.6	8.19	4.60	1.82	1.290	0.747	0.403

All data and artworks shall be changed without prior notice, BB reserves the right to explain and update the information contained hereinto.

A/1 REV. Aug. 2013

USA:
B&B BATTERY(USA) INC.
6415 RANDOLPH ST.COMMERCE, CA,90040 U.S.A.
TEL:1-323-278-1900.1-800-278-8599
FAX:1-323-278-1268
E-Mail:sales@bb-battery.com

CHINA FACTORY:
B.B. BATTERY CO., LTD.
CHENG DONG TRIAL AREA,HUANG GANG,
RAOPING, GUANG DONG,CHINA,515700
TEL:86-768-7601001-2
FAX:86-768-7601469
E-Mail:maggy@bb-battery.com

EUROPE:
B&B BATTERY(EUROPE) B.V.
SUITE 8, HAAKSBERGWEG 33, 1101
BP AMSTERDAM, THE NETHERLANDS
TEL: 31-30-320-0190
MOBILE: 852-9128-2711
E-Mail: dliu@bb-battery.com

HONG KONG:
B&B BATTERY(Hong Kong) Co.
TEL:852-2311-4918
FAX:852-2739-1182
E-Mail:bbhk@hkstar.com

JAPAN:
B&B BATTERY(JAPAN) CO., LTD.
1375-11 NARAHARA-MACHI,HACHIOJI,
TOKYO 193-0803,JAPAN.
TEL:81-426-25-6375
FAX:81-426-25-6375
E-Mail:miyata@bb-battery.com

TAIWAN:
B.B. BATTERY(TAIWAN) CO., LTD.
TEL:886-6-502-5150
FAX:886-6-589-8087
E-Mail:kevinlin@bb-battery.com