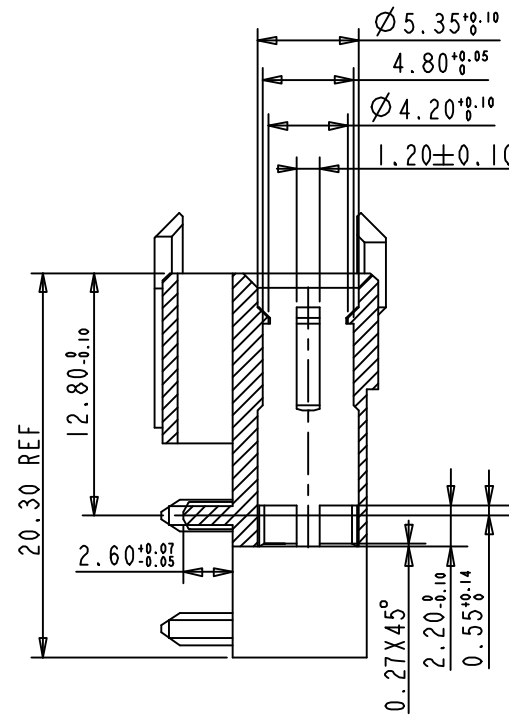
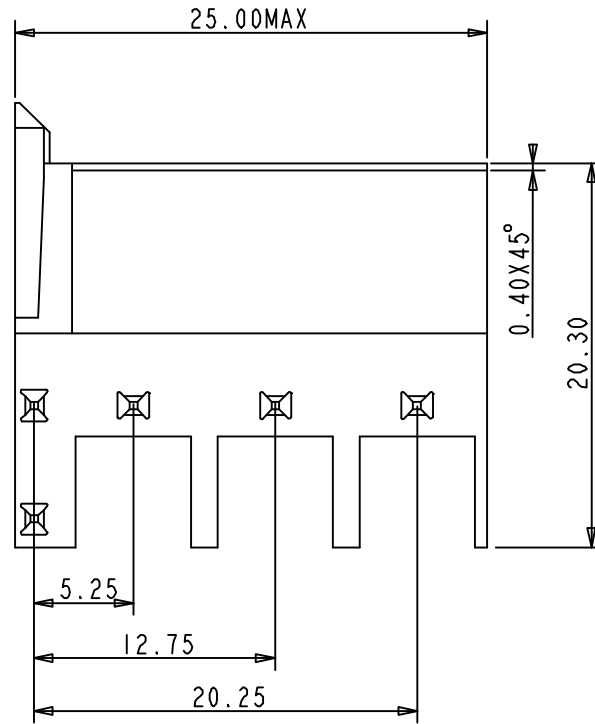
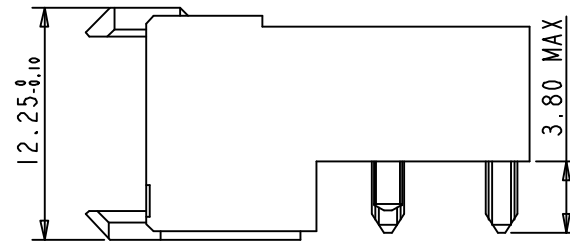
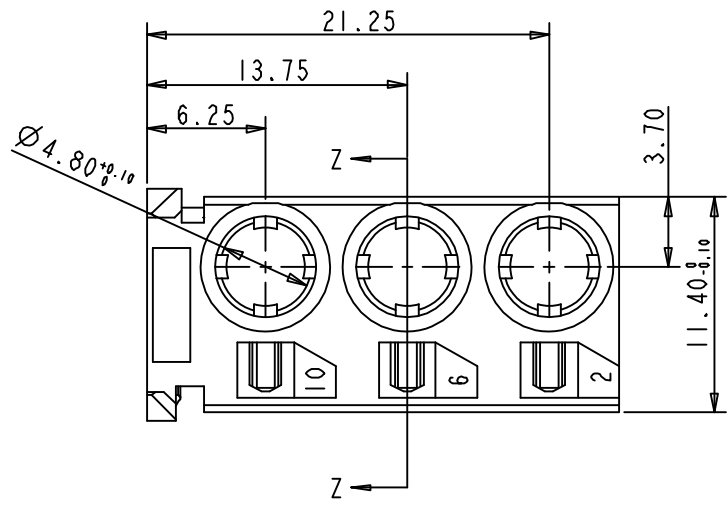




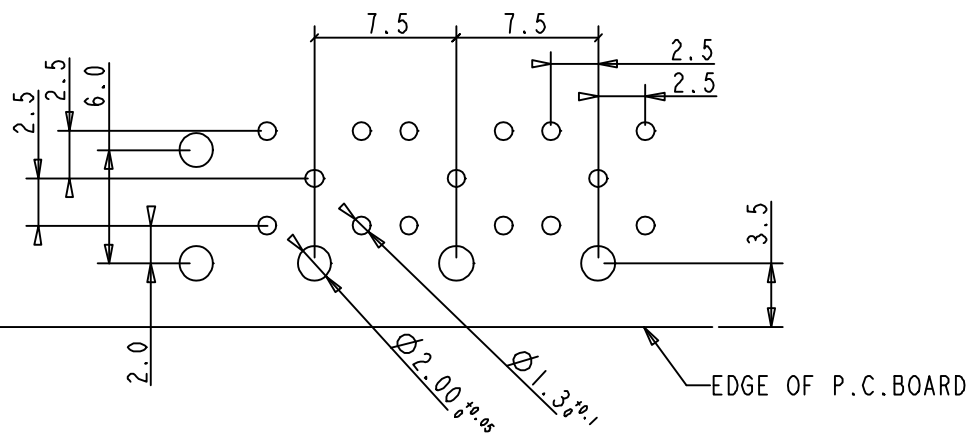
FCIconnect.com

Copyright FCI



NOTES

1. THIS PRODUCT IS CSA APPROVED.
2. THIS PRODUCT IS UL RECOGNIZED.
3. THIS PRODUCT MEETS EUROPEAN UNION DIRECTIVES AND OTHER COUNTRY REGULATIONS AS DESCRIBED IN GS-47-0004
4. THE HOUSING WILL WITHSTAND EXPOSURE TO 260°C PEAK TEMPERATURE FOR 30 SECONDS IN A WAVE SOLDER APPLICATION WITH A 1.6MM MINIMUM THICK CIRCUIT BOARD.



LAY-OUT
P.C.B -HOLE

CATALOG NO: HM2R06P1LF

mat'l. code		surface	tolerance	projection	product family	
		ISO 1302	ISO 406 ISO 1101		MILLIPACS	
ltr	ecn no	dr	date	tolerances unless otherwise specified		title
A	CONVERSION REVISION 06	KN	14-09-01	angles	linear	MILLIPACS 2/FEMALE BODY/STYLE N
B	DG05-0333	Kason	16-09-05	0°±1°		
C	ELX-I-17096	BINESH	03-03-14	scale -		dwg no
D	ELX-I-17097	BINESH	04-03-14	dr		sheet 1 of 1
		engr		w.PANIS		size
		chr		1992-07-04		A3
		appd				type
						Product Customer Drawing
sheet index	revision sheet	D	1			