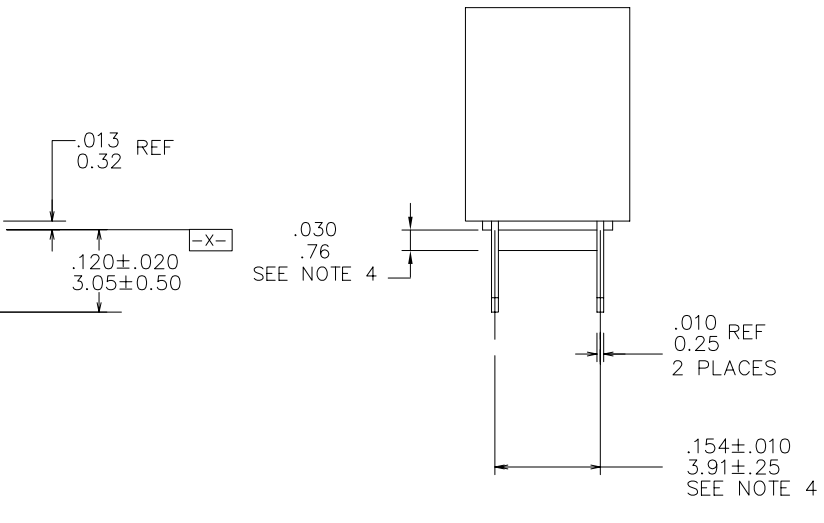
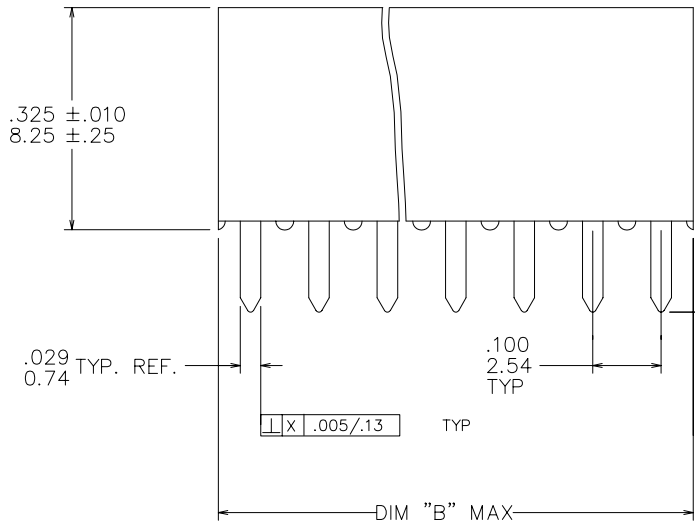
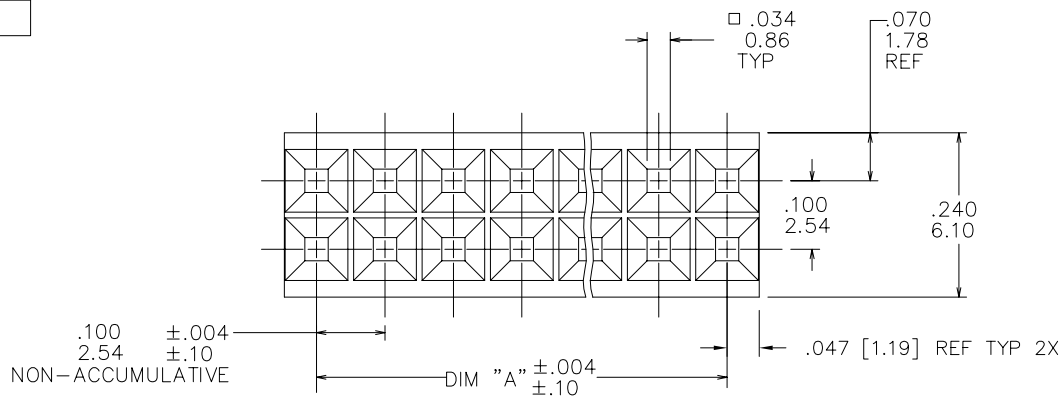


PRODUCT NUMBER
SEE TABLE



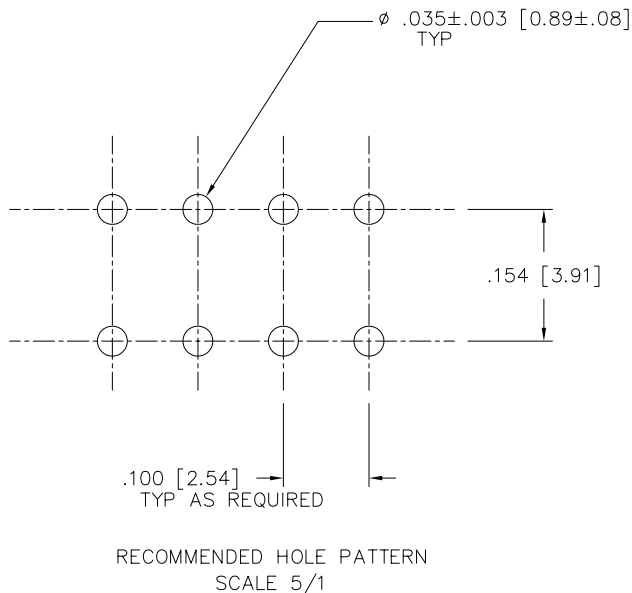
| | | | | | | | | | |
|-------------|----------|------------|----------|-----------|------------|---------------------------------------|---|--------------------------|---|
| mat'l. code | | surface | | tolerance | | projection | | product family | |
| NOTES 1 & 2 | | ISO 1302 ✓ | | ISO 406 | | ISO 1101 | | CARD CONN | |
| ltr | ecn | no | dr | date | | tolerances unless otherwise specified | | title | |
| F | V11595 | JGS | 07/24/91 | angles | | .XX±.01/.X±.3 | | VERT. CARD CONNECTOR | |
| G | v61741 | MDF | 01/13/97 | linear | | .XXX±.0.005/.XX±.13 | | .154/3.91 CTR DOUBLE ROW | |
| H | V12708 | GIP | 12/11/01 | 0°±2' | | .XXXX±.0020/.XXX±.051 | | scale 4:1 | |
| J | M05-0216 | ERE | 10/11/05 | dr | J.SHREINER | 7/21/91 | | dwg no | |
| K | M06-0210 | MHT | 6/03/06 | engr | M.HAHN | 7/21/91 | | sheet 1 of 6 size | |
| L | M07-0143 | ERE | 03/03/07 | chr | M.HAHN | 7/21/91 | | 76054 | |
| sheet | | revision | | L | L | L | L | L | L |
| index | | sheet | | 1 | 2 | 3 | 4 | 5 | 6 |
| | | | | | | | | | |



Copyright FCI

PRODUCT NUMBER

SEE TABLE



NOTES:

- ① HOUSING MAT'L: FILLED POLYESTER, FLAME RETARDANT PER UL 94V-0. COLOR : BLACK.
- ② TERMINAL MATERIAL AND PLATING: SEE TABULATION.
- ③ RECOMMENDED PIN SIZE: .025±.001/.64±.03 SQUARE. RECOMMENDED PIN LENGTH: .210±.020/5.33±.51.
- ④ .154/3.91 DIM. APPLIES AT .030/.08 BELOW DATUM $\boxed{-X-}$
- ⑤ MARKING: FCI PART NUMBER AND DATE CODE LEGIBLE ON TUBE LABEL
- ⑥ ADD "LF" SUFFIX AT THE END OF PART NUMBER FOR LEAD FREE OPTION.
- ⑦ THESE PRODUCTS MEET EUROPEAN UNION DIRECTIVES AND OTHER COUNTRY REGULATIONS AS DESCRIBED IN GS-22-008.
- ⑧ THIS PART WILL WITHSTAND EXPOSURE TO 260°C PEAK TEMPERATURE FOR 20 SECONDS IN WAVE SOLDER, INFRA-RED OR VAPOR PHASE SOLDER PROCESS.
- ⑨ "THIS PRODUCT HAS 100% TIN PLATING IN THE INTERFACE AND HAS NOT BEEN TESTED FOR WHISKER GROWTH IN ALL INTERCONNECT ENVIRONMENTS."



FCIconnect.com

Copyright FCI

| | | | | | | | | | |
|-------------|--|-----------------------|--|----------------------------------|--|----------------|--|---------------------------------------|--|
| mat'l. code | | surface ISO 1302 ✓ | | tolerance ISO 406 ISO 1101 | | projection | | product family CARD CONN | |
| ltr | | ecn no | | dr | | date | | tolerances unless otherwise specified | |
| L | | | | | | | | .XX±.01/.X±.3 | |
| | | | | angles | | linear | | .XXX±.0.005/.XX±.13 | |
| | | | | 0°±2' | | | | .XXXX±.0020/.XXX±.051 | |
| | | | | dr | | J.SHREINER | | 7/21/91 | |
| | | | | enr | | M.HAHN | | 7/21/91 | |
| | | | | chr | | M.HAHN | | 7/21/91 | |
| | | | | appd | | M.HAHN | | 7/21/91 | |
| sheet index | | revision sheet | | | | | | | |



title
VERT. CARD CONNECTOR
.154/3.91 CTR DOUBLE ROW

dwg no
76054

sheet 2 of 6 size
A3

type Product Customer Drawing

| PRODUCT NO | SIZE | DIM A | DIM B | MATERIAL AND PLATING | MISC. | RESTRICTED | LEAD FREE OPTION |
|------------|------------|-------------|-------------|---|-------|------------|------------------|
| 76054-001 | UNASSIGNED | | | | | | |
| -002 | 2 X 2 | .100/2.54 | .200/5.08 | BODY MATERIAL: BRASS BODY PLATING: 40u"/1.02u GOLD OVER 50u"/1.27u NICKEL IN CONTACT AREA. SPRING MAT'L: BeCu HEAT TREATED SPRING PLATING: GOLD FLASH | | | NOTE 6,7 |
| -003 | 2 X 3 | .200/5.08 | .300/7.62 | | | | |
| -004 | 2 X 4 | .300/7.62 | .400/10.16 | | | | |
| -005 | 2 X 5 | .400/10.16 | .500/12.70 | | | | |
| -006 | 2 X 6 | .500/12.70 | .600/15.24 | | | | |
| -007 | 2 X 7 | .600/15.24 | .700/17.78 | | | | |
| -008 | 2 X 8 | .700/17.78 | .800/20.32 | | | | |
| -009 | 2 X 9 | .800/20.32 | .900/22.86 | | | | |
| -010 | 2 X 10 | .900/22.86 | 1.000/25.40 | | | | |
| -011 | 2 X 11 | 1.000/25.40 | 1.100/27.94 | | | | |
| -012 | 2 X 12 | 1.100/27.94 | 1.200/30.48 | | | | |
| -013 | 2 X 13 | 1.200/30.48 | 1.300/33.02 | | | | |
| -014 | 2 X 14 | 1.300/33.02 | 1.400/35.56 | | | | |
| -015 | 2 X 15 | 1.400/35.56 | 1.500/38.10 | | | | |
| -016 | 2 X 16 | 1.500/38.10 | 1.600/40.64 | | | | |
| -017 | 2 X 17 | 1.600/40.64 | 1.700/43.18 | | | | |
| -018 | 2 X 18 | 1.700/43.18 | 1.800/45.72 | | | | |
| -019 | 2 X 19 | 1.800/45.72 | 1.900/48.26 | | | | |
| -020 | 2 X 20 | 1.900/48.26 | 2.000/50.80 | | | | |
| -021 | 2 X 21 | 2.000/50.80 | 2.100/53.34 | | | | |
| -022 | 2 X 22 | 2.100/53.34 | 2.200/55.88 | | | | |
| -023 | 2 X 23 | 2.200/55.88 | 2.300/58.42 | | | | |
| -024 | 2 X 24 | 2.300/58.42 | 2.400/60.96 | | | | |
| -025 | 2 X 25 | 2.400/60.96 | 2.500/63.50 | | | | |
| -026 | 2 X 26 | 2.500/63.50 | 2.600/66.04 | | | | |
| -027 | 2 X 27 | 2.600/66.04 | 2.700/68.58 | | | | |
| 76054-028 | 2 X 28 | 2.700/68.58 | 2.800/71.12 | | | | |



FCJconnect.com

Copyright FCJ

| | | | | | | | | | |
|-------------|----------------|---|------|---------------------------------------|------------|-----------------------|--|-------------------------------|--|
| mat'l. code | | surface ISO 1302 <input checked="" type="checkbox"/> | | tolerance ISO 406 ISO 1101 | | projection | | product family CARD CONN | |
| ltr | ecn no | dr | date | tolerances unless otherwise specified | | | | title | |
| L | | | | angles | linear | .XX±.01/.X±.3 | | VERT. CARD CONNECTOR | |
| | | | | 0'±2' | | .XXX±.0.005/.XX±.13 | | .154/3.91 CTR DOUBLE ROW | |
| | | | | | | .XXXX±.0020/.XXX±.051 | | scale 4:1 | |
| | | | | dr | J.SHREINER | 7/21/91 | | dwg no | |
| | | | | enr | M.HAHN | 7/21/91 | | sheet 3 of 6 size | |
| | | | | chr | M.HAHN | 7/21/91 | | 76054 A3 | |
| | | | | appd | M.HAHN | 7/21/91 | | type Product Customer Drawing | |
| sheet index | revision sheet | | | | | | | | |



| PRODUCT NO | SIZE | DIM A | DIM B | MATERIAL AND PLATING | MISC. | RESTRICTED | LEAD FREE OPTION |
|------------|------------|-------------|-------------|--|-------|------------|------------------|
| 76054-029 | 2 X 29 | 2.800/71.12 | 2.900/73.66 | BODY MATERIAL: BRASS BODY PLATING: 40u"/1.02u GOLD OVER 50u"/1.27u NICKEL IN CONTACT AREA. SPRING MAT'L: BeCu HEAT TREATED SPRING PLATING: GOLD FLASH | | | NOTE 6,7 |
| -030 | 2 X 30 | 2.900/73.66 | 3.000/76.20 | | | | |
| -031 | 2 X 31 | 3.000/76.20 | 3.100/78.74 | | | | |
| -032 | 2 X 32 | 3.100/78.74 | 3.200/81.28 | | | | |
| -033 | 2 X 33 | 3.200/81.28 | 3.300/83.82 | | | | |
| -034 | 2 X 34 | 3.300/83.82 | 3.400/86.36 | | | | |
| -035 | 2 X 35 | 3.400/86.36 | 3.500/88.90 | | | | |
| -036 | 2 X 36 | 3.500/88.90 | 3.600/91.44 | | | | NOTE 6,7 |
| -037 | UNASSIGNED | | | | | | |
| A -038 | 2 X 2 | .100/2.54 | .200/5.08 | BODY MATERIAL: BRASS BODY PLATING: 100u"/2.54u THICK Sn PLATE SPRING MAT'L: BeCu HEAT TREATED SPRING PLATING: 30u/.76u MIN ELECTROLESS TIN | | | NOTE 6,7 |
| -039 | 2 X 3 | .200/5.08 | .300/7.62 | | | | |
| -040 | 2 X 4 | .300/7.62 | .400/10.16 | | | | |
| -041 | 2 X 5 | .400/10.16 | .500/12.70 | | | | |
| -042 | 2 X 6 | .500/12.70 | .600/15.24 | | | | |
| -043 | 2 X 7 | .600/15.24 | .700/17.78 | | | | |
| -044 | 2 X 8 | .700/17.78 | .800/20.32 | | | | |
| -045 | 2 X 9 | .800/20.32 | .900/22.86 | | | | |
| -046 | 2 X 10 | .900/22.86 | 1.000/25.40 | | | | |
| -047 | 2 X 11 | 1.000/25.40 | 1.100/27.94 | | | | |
| -048 | 2 X 12 | 1.100/27.94 | 1.200/30.48 | | | | |
| -049 | 2 X 13 | 1.200/30.48 | 1.300/33.02 | | | | |
| B -050 | 2 X 14 | 1.300/33.02 | 1.400/35.56 | | | | |
| -051 | 2 X 15 | 1.400/35.56 | 1.500/38.10 | | | | |
| -052 | 2 X 16 | 1.500/38.10 | 1.600/40.64 | | | | |
| -053 | 2 X 17 | 1.600/40.64 | 1.700/43.18 | | | | |
| -054 | 2 X 18 | 1.700/43.18 | 1.800/45.72 | | | | |
| -055 | 2 X 19 | 1.800/45.72 | 1.900/48.26 | | | | |
| 76054-056 | 2 X 20 | 1.900/48.26 | 2.000/50.08 | | | | NOTE 6,7 |



Copyright FCI

| | | | | | | | | | |
|-------------|--|---|--|----------------------------------|--|---------------------------------------|--|-------------------------------|--|
| mat'l. code | | surface ISO 1302 <input checked="" type="checkbox"/> | | tolerance ISO 406 ISO 1101 | | projection | | product family CARD CONN | |
| ltr | | ecn no | | date | | tolerances unless otherwise specified | | title | |
| L | | | | | | .XX±.01/.X±.3 | | VERT. CARD CONNECTOR | |
| | | | | | | linear .XXX±.0.005/.XX±.13 | | .154/3.91 CTR DOUBLE ROW | |
| | | | | | | 0'±2' | | scale 4:1 | |
| | | | | | | dr J.SHREINER 7/21/91 | | dwg no sheet 4 of 6 size | |
| | | | | | | enr M.HAHN 7/21/91 | | 76054 A3 | |
| | | | | | | chr M.HAHN 7/21/91 | | type Product Customer Drawing | |
| | | | | | | appd M.HAHN 7/21/91 | | | |
| sheet index | | revision sheet | | | | | | | |



| PRODUCT NO | SIZE | DIM A | DIM B | MATERIAL AND PLATING | MISC. | RESTRICTED | LEAD FREE OPTION |
|------------|------------|-------------|-------------|--|-------|------------|------------------|
| 76054-057 | 2 X 21 | 2.000/50.08 | 2.100/53.34 | BODY MATERIAL: BRASS BODY PLATING: 100u"/2.54u THICK Sn PLATE SPRING MAT'L: BeCu HEAT TREATED SPRING PLATING: 30u/.76u MIN ELECTROLESS TIN | | | NOTE 6,7 |
| -058 | 2 X 22 | 2.100/53.34 | 2.200/55.88 | | | | |
| -059 | 2 X 23 | 2.200/55.88 | 2.300/58.42 | | | | |
| -060 | 2 X 24 | 2.300/58.42 | 2.400/60.96 | | | | |
| -061 | 2 X 25 | 2.400/60.96 | 2.500/63.50 | | | | |
| -062 | 2 X 26 | 2.500/63.50 | 2.600/66.04 | | | | |
| -063 | 2 X 27 | 2.600/66.04 | 2.700/68.58 | | | | |
| -064 | 2 X 28 | 2.700/68.58 | 2.800/71.12 | | | | |
| -065 | 2 X 29 | 2.800/71.12 | 2.900/73.66 | | | | |
| -066 | 2 X 30 | 2.900/73.66 | 3.000/76.20 | | | | |
| -067 | 2 X 31 | 3.000/76.20 | 3.100/78.74 | | | | |
| -068 | 2 X 32 | 3.100/78.74 | 3.200/81.28 | | | | |
| -069 | 2 X 33 | 3.200/81.28 | 3.300/83.82 | | | | |
| -070 | 2 X 34 | 3.300/83.82 | 3.400/86.36 | | | | |
| -071 | 2 X 35 | 3.400/86.36 | 3.500/88.90 | | | | |
| -072 | 2 X 36 | 3.500/88.90 | 3.600/91.44 | | | | |
| -073 | UNASSIGNED | | | | | | |
| -074 | 2 X 2 | .100/2.54 | .200/5.08 | BODY MATERIAL: Cu Ni BODY PLATING: 10u"/.25u Au FLASH INSIDE CONTACT AREA ONLY WITH .001/.03 MIN HIGH GOLD DOT SPRING MAT'L: BeCu HEAT TREATED SPRING PLATING: GOLD FLASH | | | NOTE 6,7 |
| -075 | 2 X 3 | .200/5.08 | .300/7.62 | | | | |
| -076 | 2 X 4 | .300/7.62 | .400/10.16 | | | | |
| -077 | 2 X 5 | .400/10.16 | .500/12.70 | | | | |
| -078 | 2 X 6 | .500/12.70 | .600/15.24 | | | | |
| -079 | 2 X 7 | .600/15.24 | .700/17.78 | | | | |
| -080 | 2 X 8 | .700/17.78 | .800/20.32 | | | | |
| -081 | 2 X 9 | .800/20.32 | .900/22.86 | | | | |
| -082 | 2 X 10 | .900/22.86 | 1.000/25.40 | | | | |
| -083 | 2 X 11 | 1.000/25.40 | 1.100/27.94 | | | | |
| 76054-084 | 2 X 12 | 1.100/27.94 | 1.200/30.48 | | | | NOTE 6,7 |



FCJconnect.com

Copyright FCJ

| | | | | | | | | | |
|-------------|----------------|---|------|---------------------------------------|------------|-----------------------|--|-------------------------------|--|
| mat'l. code | | surface ISO 1302 <input checked="" type="checkbox"/> | | tolerance ISO 406 ISO 1101 | | projection | | product family CARD CONN | |
| ltr | ecn no | dr | date | tolerances unless otherwise specified | | | | title | |
| L | | | | angles | linear | .XX±.01/.X±.3 | | VERT. CARD CONNECTOR | |
| | | | | 0'±2' | | .XXX±.0.005/.XX±.13 | | .154/3.91 CTR DOUBLE ROW | |
| | | | | | | .XXXX±.0020/.XXX±.051 | | scale 4:1 | |
| | | | | dr | J.SHREINER | 7/21/91 | | dwg no | |
| | | | | enr | M.HAHN | 7/21/91 | | sheet 5 of 6 size | |
| | | | | chr | M.HAHN | 7/21/91 | | 76054 A3 | |
| | | | | appd | M.HAHN | 7/21/91 | | type Product Customer Drawing | |
| sheet index | revision sheet | | | | | | | | |



| PRODUCT NO | SIZE | DIM A | DIM B | MATERIAL AND PLATING | MISC. | RESTRICTED | LEAD FREE OPTION |
|------------|--------|-------------|-------------|--|-------------|------------|------------------|
| 76054-085 | 2 X 13 | 1.200/30.48 | 1.300/33.02 | BODY MATERIAL: Cu Ni BODY PLATING: 10u"/.25u Au FLASH INSIDE CONTACT AREA ONLY WITH .001/.03 MIN HIGH GOLD DOT SPRING MAT'L: BeCu HEAT TREATED SPRING PLATING: GOLD FLASH | | | NOTE 6,7 |
| -086 | 2 X 14 | 1.300/33.02 | 1.400/35.56 | | | | |
| -087 | 2 X 15 | 1.400/35.56 | 1.500/38.10 | | | | |
| -088 | 2 X 16 | 1.500/38.10 | 1.600/40.64 | | | | |
| -089 | 2 X 17 | 1.600/40.64 | 1.700/43.18 | | | | |
| -090 | 2 X 18 | 1.700/43.18 | 1.800/45.72 | | | | |
| -091 | 2 X 19 | 1.800/45.72 | 1.900/48.26 | | | | |
| -092 | 2 X 20 | 1.900/48.26 | 2.000/50.08 | | | | |
| -093 | 2 X 21 | 2.000/50.08 | 2.100/53.34 | | | | |
| -094 | 2 X 22 | 2.100/53.34 | 2.200/55.88 | | | | |
| -095 | 2 X 23 | 2.200/55.88 | 2.300/58.42 | | | | |
| -096 | 2 X 24 | 2.300/58.42 | 2.400/60.96 | | | | |
| -097 | 2 X 25 | 2.400/60.96 | 2.500/63.50 | | | | |
| -098 | 2 X 26 | 2.500/63.50 | 2.600/66.04 | | | | |
| -099 | 2 X 27 | 2.600/66.04 | 2.700/68.58 | | | | |
| -100 | 2 X 28 | 2.700/68.58 | 2.800/71.12 | | | | |
| -101 | 2 X 29 | 2.800/71.12 | 2.900/73.66 | | | | |
| -102 | 2 X 30 | 2.900/73.66 | 3.000/76.20 | | | | |
| -103 | 2 X 31 | 3.000/76.20 | 3.100/78.74 | | | | |
| -104 | 2 X 32 | 3.100/78.74 | 3.200/81.28 | | | | |
| -105 | 2 X 33 | 3.200/81.28 | 3.300/83.82 | | | | |
| -106 | 2 X 34 | 3.300/83.82 | 3.400/86.36 | | | | |
| -107 | 2 X 35 | 3.400/86.36 | 3.500/88.90 | | | | |
| -108 | 2 X 36 | 3.500/88.90 | 3.600/91.44 | | | | |
| 76054-109 | 2 X 17 | 1.600/40.64 | 1.700/43.18 | | SPL MARKING | YES | NOTE 6,7 |



FCIconnect.com

Copyright FCI

| | | | | | | | | | |
|-------------|----------------|---|------|---------------------------------------|------------|-----------------------|--|-------------------------------|--|
| mat'l. code | | surface ISO 1302 <input checked="" type="checkbox"/> | | tolerance ISO 406 ISO 1101 | | projection | | product family CARD CONN | |
| ltr | ecn no | dr | date | tolerances unless otherwise specified | | INCH/MM | | title | |
| L | | | | angles | linear | .XX±.01/.X±.3 | | VERT. CARD CONNECTOR | |
| | | | | 0'±2' | | .XXX±.0.005/.XX±.13 | | .154/3.91 CTR DOUBLE ROW | |
| | | | | | | .XXXX±.0020/.XXX±.051 | | scale 4:1 | |
| | | | | dr | J.SHREINER | 7/21/91 | | dwg no | |
| | | | | enr | M.HAHN | 7/21/91 | | sheet 6 of 6 size | |
| | | | | chr | M.HAHN | 7/21/91 | | 76054 A3 | |
| | | | | appd | M.HAHN | 7/21/91 | | type Product Customer Drawing | |
| sheet index | revision sheet | | | | | | | | |



form: A3