

Interactive Catalog Replaces Catalog Pages

Honeywell Sensing and Control has replaced the PDF product catalog with the new **Interactive Catalog**. The **Interactive Catalog** is a power search tool that makes it easier to find product information. It includes more installation, application, and technical information than ever before.



**Click this icon to try the new
Interactive Catalog.**

Sensing and Control

Honeywell Inc.

11 West Spring Street

Freeport, Illinois 61032

Basic Switches

Subminiature

US Series



FEATURES

- MICRO SWITCH'S smallest snap-action switch
- Choice of low energy or power duty electrical ratings
- Variety of integral actuators
- Temperature Range: -25° to $+80^{\circ}\text{C}$ (-13° to $+176^{\circ}\text{F}$)
- Weight: 0.2 grams (.007 oz.) – PC terminal type
0.3 grams (.011 oz.) – solder terminal type
- Form C single-pole double-throw (SPDT) circuitry

ELECTRICAL RATINGS

Voltage	Resistive Load Gold Contacts US10 Type	Silver Contacts US20 Type
30 VDC 125 VAC	0.1 A 0.1 A	0.5 A 0.1 A

ORDER GUIDE SOLDER TERMINALS

Contact Type	Actuator	O.F. max. grams oz.	Solder	R.F. min. g ounces	P.T. max. mm inches	O.T. min. mm inches	D.T. max. mm inches	O.P mm inches
Gold, 0.1 Amp 	A pin plunger	100 3.527	US10D10A00	10 .353	0,3 .012	0,1 .004	0,1 .004	5,4 ± 0,15 .213 ± .006
	C flat lever	25 .88	US10D10C00	2,0 .071	2,4 .094	0,4 .016	0,7 .028	6,4 ± 0,6 .252 ± .024
	E simulated roller lever	30 1.058	US10D10E00	2,0 .071	2,2 .087	0,3 .012	0,7 .028	6,7 ± 0,5 .264 ± .020
Silver, 0.5 Amp 	A pin plunger	100 3.527	US20D10A00	10 .353	0,3 .012	0,1 .004	0,1 .004	5,4 ± 0,15 .213 ± .006
	C flat lever	25 .88	US20D10C00	2,0 .071	2,4 .094	0,4 .016	0,7 .028	6,4 ± 0,6 .252 ± .024
	E simulated roller lever	30 1.058	US20D10E00	2,0 .071	2,2 .087	0,3 .012	0,7 .028	6,7 ± 0,5 .264 ± .020

ORDER GUIDE PC STRAIGHT TERMINALS

Contact Type	Actuator	O.F. max. grams oz.	PC Straight Cross-Line	R.F. min. g ounces	P.T. max. mm inches	O.T. min. mm inches	D.T. max. mm inches	O.P mm inches
Gold, 0.1 Amp 	A pin plunger	100 3.527	US10D20A00	10 .353	0,3 .012	0,1 .004	0,1 .004	4,8 ± 0,15 .189 ± .006
	C flat lever	25 .88	US10D20C00	1,0 .035	2,4 .094	0,4 .016	0,7 .028	5,8 ± 0,7 .228 ± .028
	E simulated roller lever	30 1.058	US10D20E00	1,0 .035	2,2 .087	0,3 .012	0,7 .028	6,1 ± 0,7 .240 ± .028
Silver, 0.5 Amp 	A pin plunger	100 3.527	US20D20A00	10 .353	0,3 .012	0,1 .004	0,1 .004	4,8 ± 0,15 .189 ± .006
	C flat lever	25 .88	US20D20C00	1,0 .035	2,4 .094	0,4 .016	0,7 .028	5,8 ± 0,7 .228 ± .028
	E simulated roller lever	30 1.058	US20D20E00	1,0 .035	2,2 .087	0,3 .012	0,7 .028	6,1 ± 0,7 .240 ± .028

OTHER TERMINATION TYPES ARE AVAILABLE

For PC right angle, change 2nd set of numbers to 50 (Example: US10D50A00)

For PC left angle, change 2nd set of numbers to 60 (Example: US10D60A00)

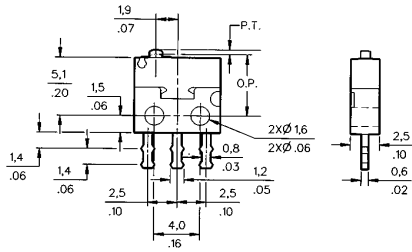
Basic Switches

Subminiature

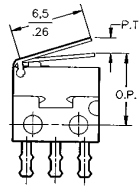
MOUNTING DIMENSIONS $\frac{\text{mm}}{\text{in.}}$ (for reference only)

Solder Terminal Switches (with mounting holes)

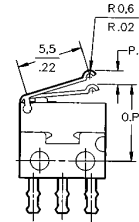
Pin plunger (Type A)



Flat lever (Type C)

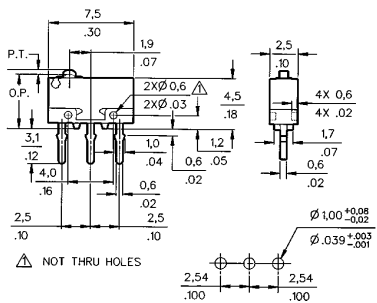


Simulated roller (Type E)

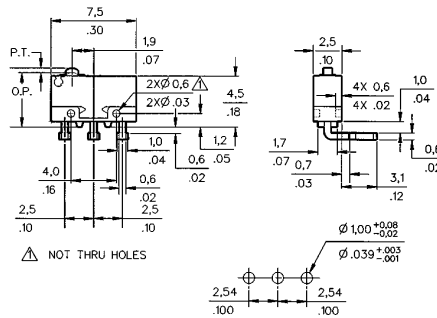


PC Board Terminal Switches

Pin plunger (Type A)

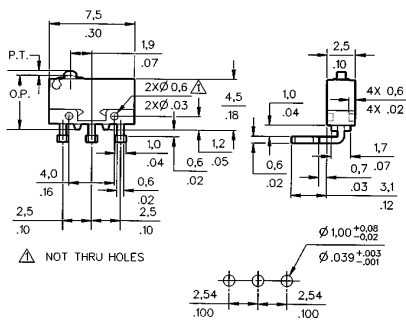


Right angle terminal (Type 50)

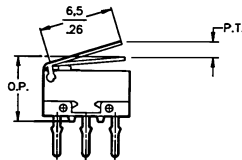


Miniature/
Subminiature

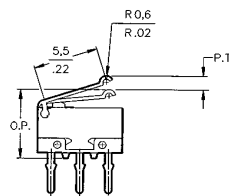
Left angle terminal (Type 60)



Flat lever (Type C)



Simulated roller (Type E)



Mounting screw size is m 1,4.
Maximum tightening torque is 1 kg-cm.