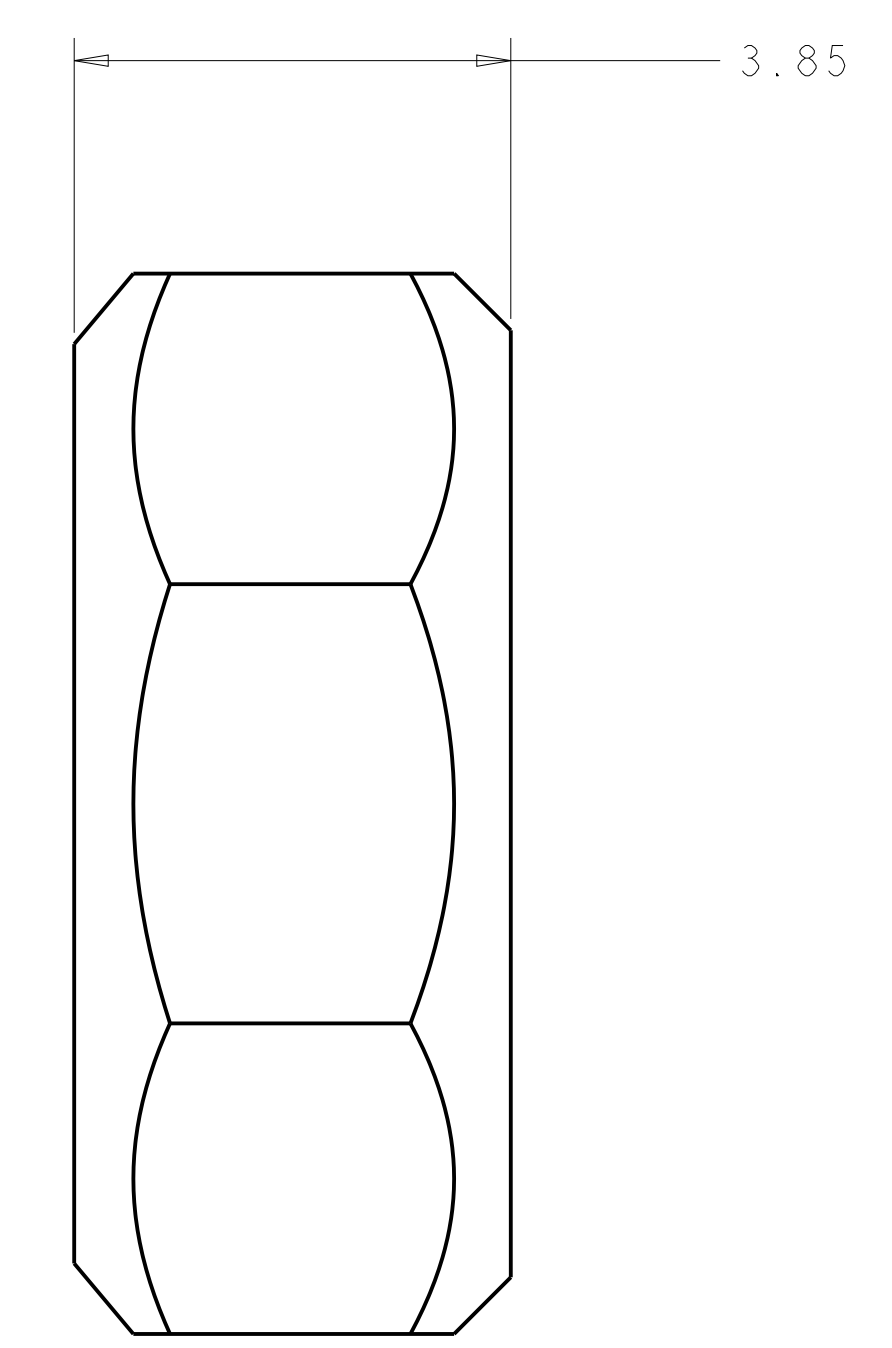
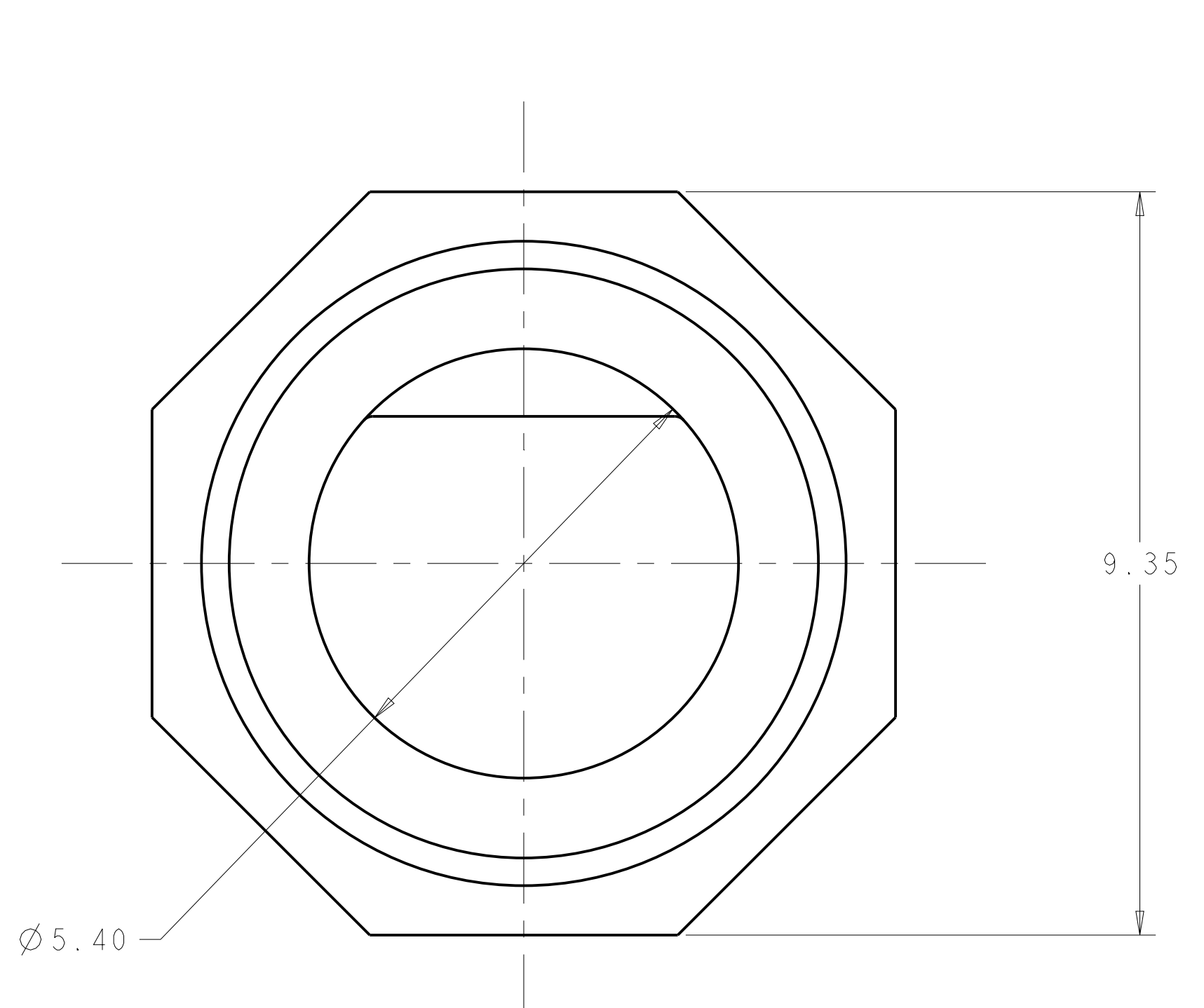
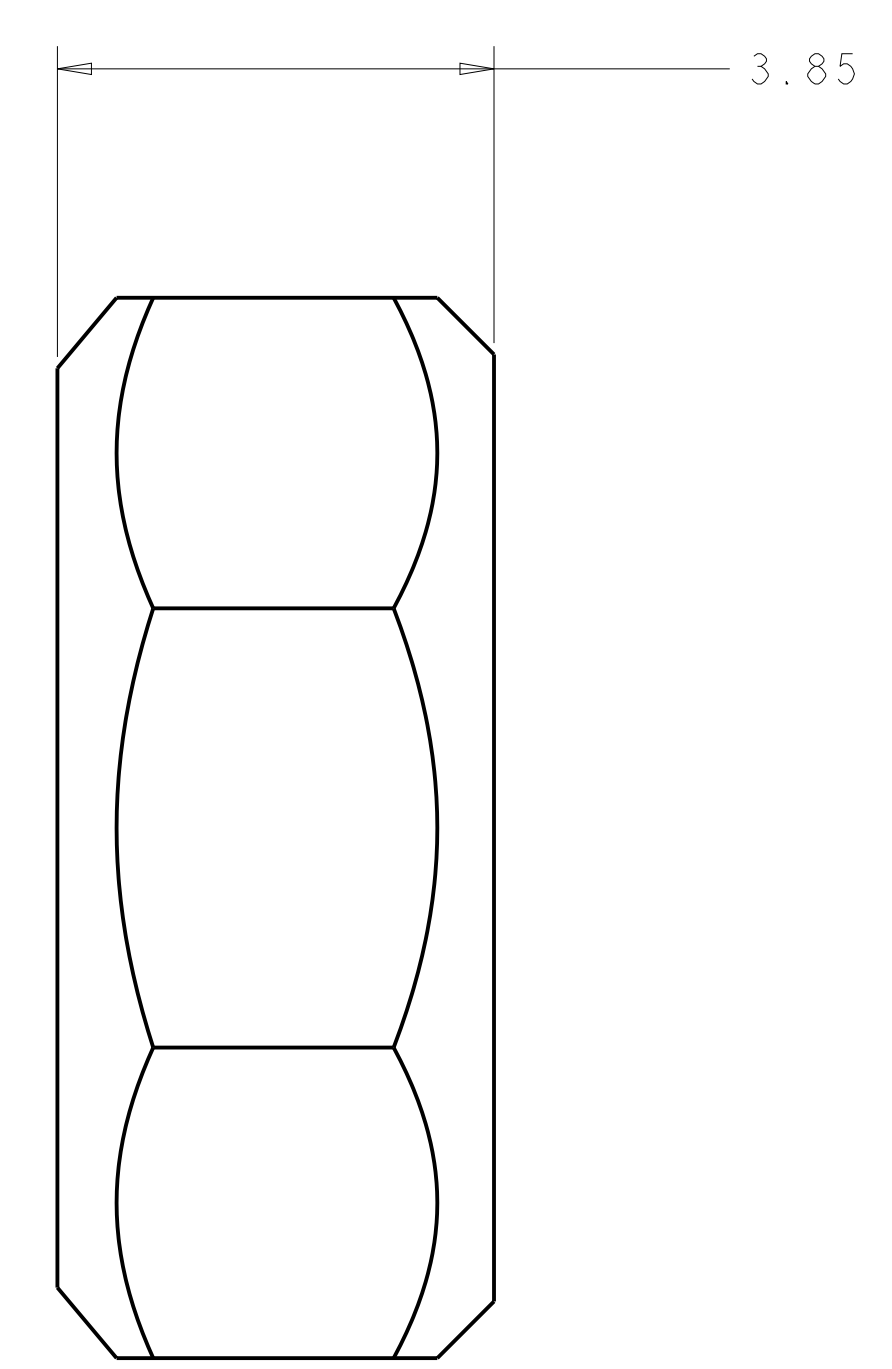
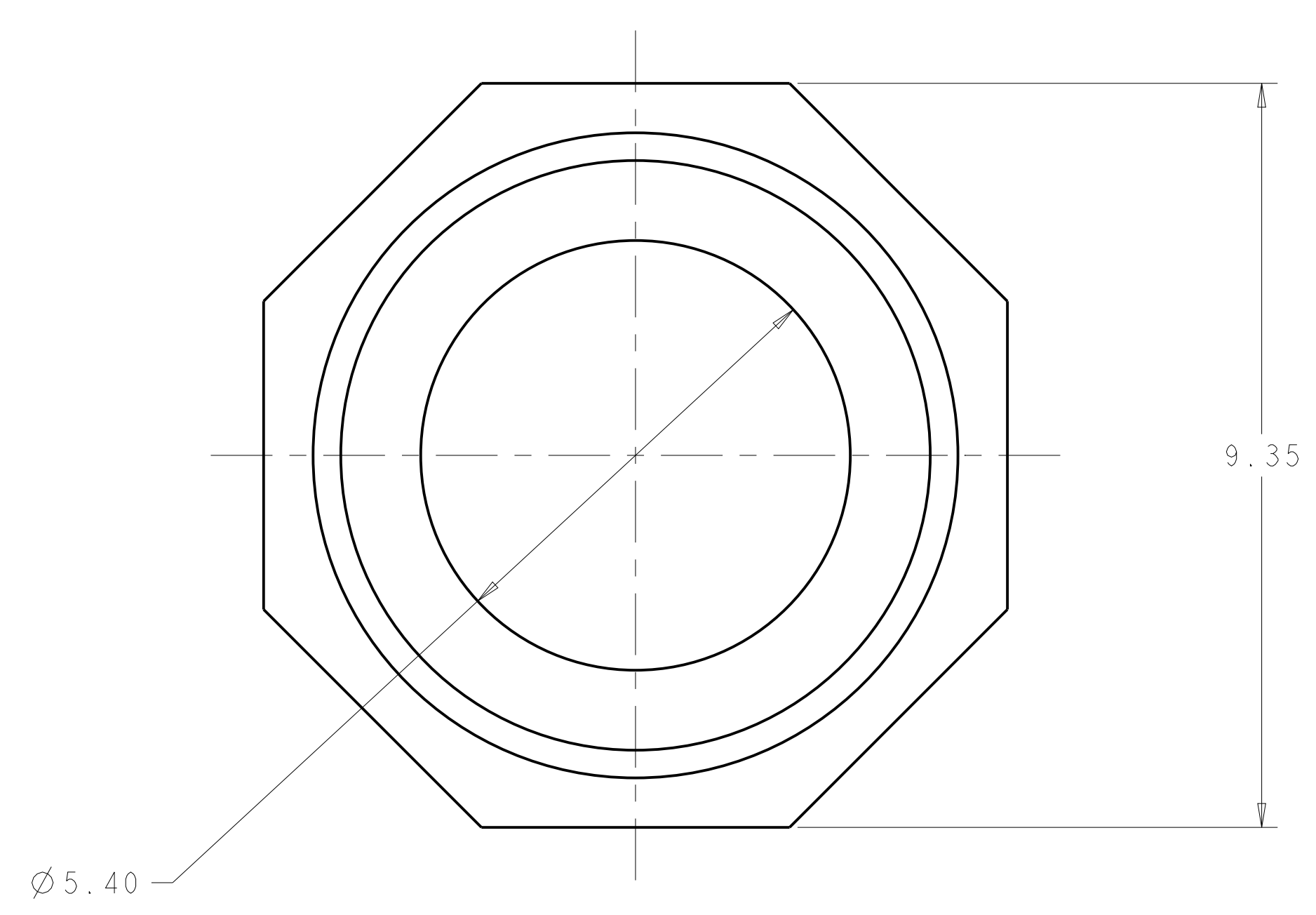


LOC		DIST		REVISIONS			
P	LTN	DESCRIPTION	DATE	DWN	APVD		
A		ECO-13-015101	27SEP2013	DB	KT		
B		REVISED PER ECO-14-007808	29MAY2014	BY	KMT		



2102503-2
(KEYED)



2102503-4
(NON-KEYED)

WEIGHT	DESCRIPTION	PART NUMBER
1.25g	NON-KEYED	2102503-4
1.30g	KEYED	2102503-2

THIS DRAWING IS A CONTROLLED DOCUMENT.		DWN: D. BELACK 10FEB2012	STE TE Connectivity	
DIMENSIONS: mm		CHK: K. THACKSTON		
TOLERANCES UNLESS OTHERWISE SPECIFIED:		APVD: K. THACKSTON	NAME: FEMALE GUIDE, RECEPTACLE FORTIS Z _d METAL SHELL LRU	
0 PLC ±0.13	1 PLC ±0.05	PRODUCT SPEC: 108-2474	SIZE: A1	
2 PLC ±0.05	3 PLC ±0.05	APPLICATION SPEC: 408-10464	CAGE CODE: C=2102503	
4 PLC ±0.05	ANGLES ±2°	WEIGHT: -	RESTRICTED TO: -	
MATERIAL: STAINLESS STEEL	FINISH: PASSIVATED	Customer Drawing	SCALE: 15:1 SHEET 1 OF 1 REV B	