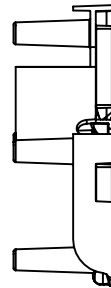
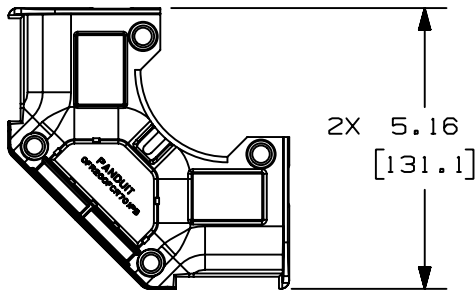
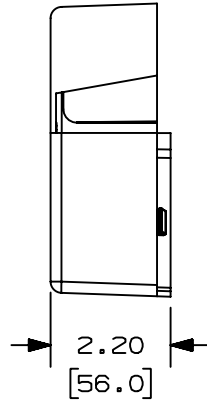
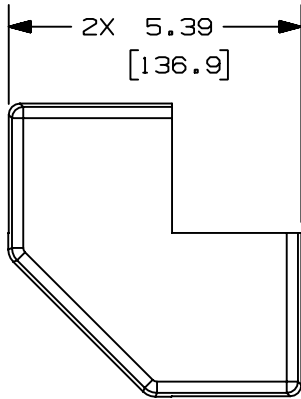


THIS COPY IS PROVIDED ON A RESTRICTED BASIS AND IS NOT TO BE USED IN ANY WAY DETRIMENTAL TO THE INTERESTS OF PANDUIT CORP.

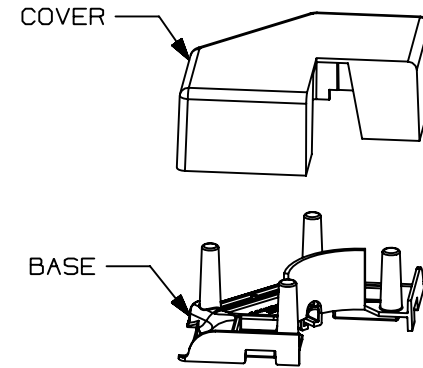


PANDUIT PART NO.	WEIGHT
OFR200FCR70**1P	.37 lbs / EACH (167.8 g / EACH)



NOTES:

- SEE CURRENT CATALOG FOR ADDITIONAL PART NUMBER SUFFIXES TO INDICATE COLOR AND/OR PACKAGE QUANTITY.
- DIMENSIONS IN PARENTHESES ARE IN METRIC.
- BYPASS AREA OPENING SIZED TO ACCEPT UP TO 2 1/4" X 2 1/4" POWER POLE.



CAD FILENAME/LAYERS D38725BK_DC_OFR200FCR701P_00B.PRT

PANDUIT CORP. TINLEY PARK, ILLINOIS
OFFICE FURNITURE 1 POSITION DROP BOX
POWER POLE BYPASS FITTING (OFR200FCR701P)
CUSTOMER DRAWING

UNLESS OTHERWISE SPECIFIED,
DIMENSIONAL TOLERANCES ARE:
(.X) ± (.XXX) ±
(.XX) ±.03 (.8) ANGLES ±

UNLESS OTHERWISE SPECIFIED,
ALL DIMENSIONS ARE GIVEN
IN INCHES, THIRD ANGLE PROJECTION.

REV	DATE	BY	CHK	DESCRIPTION	ECN	CHK	CUST	SUP
1	03-23-05	JHEP	RMHI	B. ADDED PART WEIGHT A. ADDED NOTE 3	38725-07	RGRO	RGRO	
R	07-02-04	JBN	RMHI	DRAWING RELEASED				

DRAWN BY JBN	MAT'L: PVC	SCALE NONE
DATE 07-02-04		DRAWING NO. 38725-07
CHK'D RMHI		DWG SIZE A