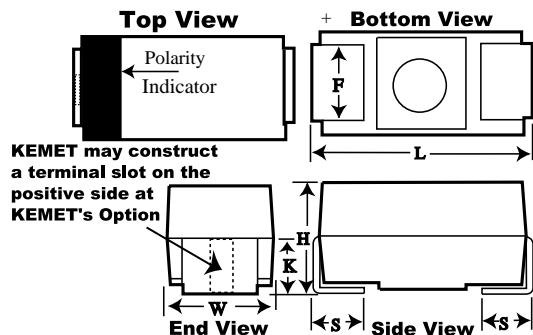


B45196E, Tantalum, MnO2 Tantalum, 4.7 uF, 10%, 16 V, SMD, Molded, 3.5 Ohms, 3528, Height Max = 2.1mm



General Information	
Supplier:	KEMET
Series:	B45196E
Dielectric:	MnO2 Tantalum
Style:	SMD Chip
Description:	SMD, Molded
Features:	Automotive
RoHS:	Yes
Termination:	Tin
Notes:	Obsolete

Dimensions	
Footprint	3528
L	3.5mm +/-0.2mm
W	2.8mm +/-0.2mm
H	1.9mm +/-0.2mm
S	0.7mm +/-0.3mm
F	2.2mm +/-0.1mm
K	1.4mm TYP

Packaging Specifications	
Packaging:	T&R, 178mm
Packaging Quantity:	2000

Specifications	
Capacitance:	4.7 uF
Capacitance Tolerance:	10%
Voltage DC:	16 VDC (85C), 10.72 VDC (125C)
Temperature Range:	-55/+125C
Rated Temperature:	85C
Dissipation Factor:	6%
Failure Rate:	N/A
Resistance:	3.5 Ohms (100kHz)
Current:	155.8 mAmps (25C), 140.2 mAmps (85C), 62.3 mAmps (125C)
Leakage Current:	0.8 uA